



AnserTM

Compact Carpet and Upholstery Extractor
Extractor Compacto Para Alfombras y Tapicería

Model No.:

608681 – 120V

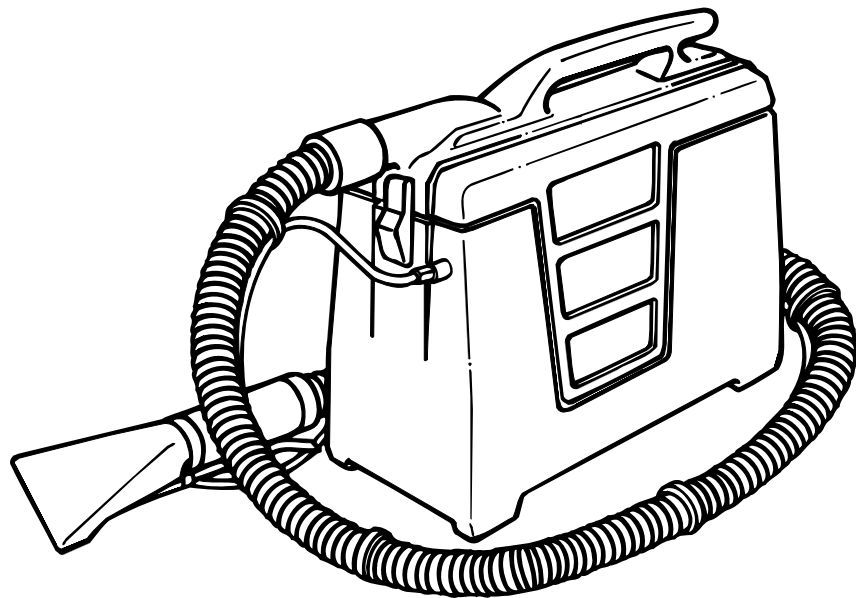
609235 – 120V Can.

609259 – 120V (includes cart) Can.

608682 – 120V (includes cart/chemicals)

609258 – 120V (includes cart/chemicals) Can.

Operator and Parts Manual
Manual del Operador y Piezas



TENNANT COMPANY
701 NORTH LILAC DRIVE
MINNEAPOLIS, MN 55422

MAILING ADDRESS:
TENNANT COMPANY
P.O. BOX 1452
MINNEAPOLIS, MN 55440-1452

NOBLES CUSTOMER SERVICE:
1-800-365-6625

FAX: 1-800-678-4240

TECHNICAL SUPPORT:
1-800-522-7839 EXT. 5356

608683
Rev. 03 (06-03)

OPERATION

This manual is furnished with each new machine. It provides necessary operation and maintenance instructions and an illustrated parts list.

Read this manual completely and understand the machine before operating or servicing it.

When ordering replacement parts, use the Parts Lists in this manual. Before ordering parts or supplies, be sure to have your machine model number and serial number handy. Parts and supplies may be ordered by phone or mail from any Authorized Service Center or Distributor.

This machine will provide excellent service. However, the best results will be obtained at minimum costs if:

- The machine is operated with reasonable care.
- The machine is maintained regularly - per the maintenance instructions provided.
- The machine is maintained with manufacturer's supplied or equivalent parts.

MACHINE DATA

Please fill out at time of installation for future reference.

Model No.- _____

Install. Date - _____

Serial No.- _____

©2001, 2003 Tennant Company

Printed in U.S.A.

Nobles is a registered United States trademark of Tennant Company.

Anser is a United States trademark of Tennant Company.

Specifications and parts are subject to change without notice.

TABLE OF CONTENTS (ESPAÑOL ÍNDICE...9)


SAFETY PRECAUTIONS	3	RECOMMENDED STOCK ITEMS	7
GROUNDING INSTRUCTIONS	4	TROUBLE SHOOTING GUIDE	8
WARNING LABEL	4	SPECIFICATIONS	8
MACHINE SETUP	5	ELECTRICAL DIAGRAMS	18
MACHINE OPERATION	6	PARTS LIST	20
DRAINING RECOVERY TANK	6	MACHINE PARTS	20
MACHINE MAINTENANCE	7	STANDARD HAND TOOL	22
DAILY MAINTENANCE	7	OPTIONS	23
MONTHLY MAINTENANCE	7	OPTIONAL FLOOR TOOL	23
EVERY 250 HOURS OF OPERATION	7	OPTIONAL HANDCART	24
STORING MACHINE	7	OPTIONAL SPOTTING KIT	25

SAFETY PRECAUTIONS

This machine is intended for commercial use. It is designed to clean carpet and upholstery in an indoor environment and is not constructed for any other use. Use only recommended accessory tools and commercially available carpet cleaners intended for machine application.

All operators must read, understand and practice the following safety precautions.

The following warning alert symbol and the "FOR SAFETY" heading are used throughout this manual as indicated in their description:

 **WARNING:** To warn of hazards or unsafe practices which could result in severe personal injury or death.

FOR SAFETY: To identify actions which must be followed for safe operation of equipment.

Failure to follow these warnings may result in: personal injury, electrocution, electrical shock, fire or explosion.

 **WARNING:** Do Not Use Flammable Liquids Or Operate Machine In Or Near Flammable Liquids, Vapors Or Combustible Dusts.

This machine is not equipped with an explosion proof motor. The electric motor will spark upon start up and during operation which could cause a flash fire or explosion if machine is used in an area where flammable vapors/liquids or combustible dusts are present.

 **WARNING:** Do Not Pick Up Flammable Materials Or Reactive Metals.

 **WARNING:** Do Not Operate With Damaged Power Cord. Do Not Modify Plug. Unplug power Cord Before Servicing Machine.

If the supply cord is damaged or broken, it must be replaced by the manufacturer or it's service agent or a similarly qualified person in order to avoid a hazard.

 **WARNING:** Do Not Use Outdoors. Do Not Expose To Rain. Store Indoors.

The following information signals potentially dangerous conditions to the operator or equipment:

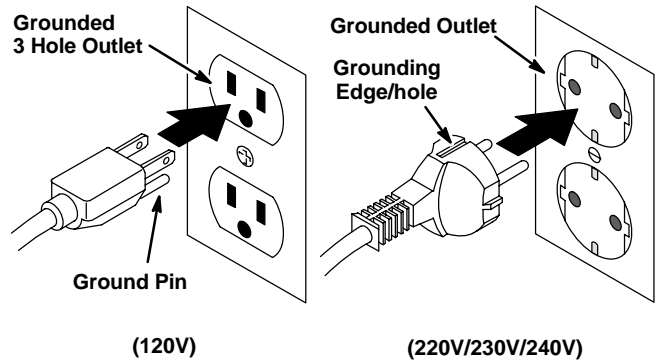
FOR SAFETY:

1. Do not operate machine:
 - With flammable liquids or near flammable vapors as an explosion or flash fire may occur.
 - Unless trained and authorized.
 - Unless operator manual is read and understood.
 - Unless cord is properly grounded.
 - With damaged cord or plug.
 - If not in proper operating condition.
 - In outdoor areas.
 - In standing water.
 - With the use of an extension cord.
2. Before operating machine:
 - Make sure all safety devices are in place and operate properly.
3. When using machine:
 - Do not pull machine by plug or cord.
 - Do not pull cord around sharp edges or corners.
 - Do not unplug by pulling on cord.
 - Do not stretch cord.
 - Do not handle plug with wet hands.
 - Keep cord away from heated surfaces.
 - Report machine damage or faulty operation immediately.
 - Follow mixing and handling instructions on chemical containers
 - Never allow children to play on or around.
4. Before leaving or servicing machine:
 - Turn off machine.
 - Unplug cord from wall outlet.
5. When servicing machine:
 - Unplug cord from wall outlet.
 - Avoid moving parts. Do not wear loose jackets, shirts, or sleeves.
 - Use manufacturer supplied or approved replacement parts.
 - All repairs must be performed by a qualified service person.
 - Do not modify the machine from it's original design.

OPERATION

GROUNDING INSTRUCTIONS

Machine must be grounded. If it should malfunction or breakdown, grounding provides a path of least resistance for electrical current to reduce the risk of electrical shock. This machine is equipped with a cord having an equipment-grounding conductor and grounding plug. The plug must be plugged into an appropriate outlet that is properly installed in accordance with all local codes and ordinances. Do not remove ground pin; if missing, replace plug before use.



WARNING LABEL

The warning label appears on the machine in the location indicated. Replace label if it becomes damaged or illegible.



WARNING LABEL – Located on front of machine.



MACHINE SETUP

1. Unfasten two latches which hold recovery tank to solution tank. Lift recovery tank off solution tank (Figure 1).



FIG. 1

2. Pour up to 7.5 liters (2 gals) of hot water into solution tank. Water temperature must not exceed 60°C (140°F). If you are only cleaning a small spot, pour in less water. The label on solution tank shows water level (Figure 2).

⚠ WARNING: Do Not Use Flammable Liquids Or Operate Machine In Or Near Flammable Liquids, Vapors Or Combustible Dusts.

This machine is not equipped with an explosion proof motor. The electric motor will spark upon start up and during operation which could cause a flash fire or explosion if machine is used in an area where flammable vapors/liquids or combustible dusts are present.



FIG. 2

3. If desired, add liquid cleaning solution to clean water. See proper dilution as instructed on the cleaning solution bottle.

FOR SAFETY: When using machine, follow mixing and handling instructions on chemical containers.

ATTENTION: Do not mix powdered chemicals in solution tank. Mix powdered chemicals thoroughly in a bucket before pouring into machine. Powders are unlikely to dissolve completely and can clog solution pump system.

4. Replace the recovery tank onto the solution tank and fasten the two latches.
5. Plug power cord into a grounded power outlet (Figure 3).

⚠ WARNING: Do Not Operate With Damaged Power Cord. Do Not Modify Plug. Unplug Power Cord Before Servicing Machine

If the supply cord is damaged or broken, it must be replaced by the manufacturer or it's service agent or a similarly qualified person in order to avoid a hazard.

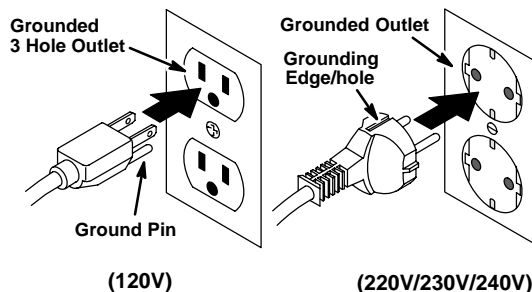


FIG. 3

FOR SAFETY: Do not operate machine unless cord is properly grounded.

FOR SAFETY: Do not operate machine with the use of an extension cord.

OPERATION

6. Connect hand tool hoses to extractor. Be certain that coupler locks into extractor's couplers (Figure 4).



FIG. 4

7. Use *Spot Remover Kit* to remove as much of stain or spot as possible. (Kit sold separately #111002).

MACHINE OPERATION

FOR SAFETY: Do not operate machine unless operator manual is read and understood.

1. Turn machine on, switch is located on back panel of machine.

ATTENTION: If using a cleaning solution, always test upholstery for color fastness in a hidden place.

2. Place hand tool on spot and squeeze trigger while pulling back on hand tool (Figure 5).



FIG. 5

NOTE: Oversaturating upholstery can lead to prolonged drying time.

⚠ WARNING: Do Not Pick Up Flammable Materials Or Reactive Metals.

3. Check recovery level periodically. When recovery tank reaches level as shown, shut machine off and drain tank (Figure 6).



FIG. 6

ATTENTION: Do not continue to run machine after recovery tank reaches level as shown. This will damage the vacuum motor; not covered by warranty.

DRAINING RECOVERY TANK

1. Turn machine off and unplug power cord.

FOR SAFETY: Before leaving or servicing machine, turn off machine and unplug cord from wall outlet.

2. Disconnect vacuum hose from recovery tank. Unfasten latches and lift recovery tank off solution tank. Drain recovery tank completely and flush it several times with clean water to remove all dirt left in tank. This will prevent odor buildup (Figure 7).



FIG. 7

3. Tip solution tank upside down over a sink to drain any unused cleaning solution. If you used a chemical in solution tank, flush tank with clean water to remove excess suds. This will prevent chemical buildup.

MACHINE MAINTENANCE

To keep machine in good working condition, simply follow machine's recommended maintenance procedures.

⚠ WARNING: Unplug Power Cord Before Servicing Machine.

FOR SAFETY: All repairs must be performed by a qualified service person.

DAILY MAINTENANCE

1. Clean machine with a nonabrasive, nonsolvent cleaner.
2. Rinse out tanks thoroughly.
3. Remove and clean vacuum filter.
4. Inspect cord and cord grip for damage. Replace immediately if damaged. Coil cord neatly after each use.
5. Inspect vacuum hose for holes and loose cuffs.

MONTHLY MAINTENANCE

Flush pump system with acetic acid solution to dissolve normal alkaline chemical buildup.

FOR SAFETY: When using machine, follow mixing and handling instructions on chemical containers.

- a. Mix .5L (16 oz) of acetic acid solution in solution tank with 7.5L (2 gal) of hot water, 60° C (140° F) maximum.
- b. Turn on machine.
- c. Connect hand tool and press trigger on tool until acetic acid solution begins to spray through tips. Spray solution into a bucket.
- d. Allow solution to remain in system for up to 6 hours in above freezing temperatures.
- e. Later, spray out solution into a bucket. Then run two gallons of clean water through system to flush out impurities.

EVERY 250 HOURS OF OPERATION

Check vacuum motor for carbon brush wear. Replace brushes if worn to a length of 10mm (0.38 in) or less.

Contact an Authorized Service Center for motor maintenance.

STORING MACHINE

1. Before storing machine, be certain to flush tanks and drain machine of all water.
2. Store machine in a dry area in the upright position.

⚠ WARNING: Do Not Use Outdoors. Do Not Expose To Rain. Store Indoors.

STORING MACHINE IN FREEZING TEMPERATURES

Be sure that machine, pump and spraying system are completely drained and dry. Pour undiluted antifreeze into solution tank and cycle it through plumbing system.

RECOMMENDED STOCK ITEMS

Refer to Parts List section for recommended stock items. Stock Items are clearly identified with a bullet preceding the parts description. See example below:

Ref.	Part No.	Description	Qty.
1	701103	ASM.,STANDPIPE	1
2	180619	●FLOAT, SHUTOFF	1
3	230187	NIPPLE	1
4	101714	●BASKET	1
5	210240	NUT, FLANGED	1

OPERATION

TROUBLE SHOOTING

PROBLEM	CAUSE	SOLUTION
Vacuum recovery is poor.	Vacuum hose cuff is not firmly pushed onto recovery tank's fitting.	Push vacuum hose cuff all the way onto recovery tank fitting.
	Vacuum filter is clogged.	Remove and clean filter.
	Recovery tank is not firmly clamped down onto solution tank. Air leaks around vacuum gasket.	Clamp both latches down to form a tight seal between tanks.
	Vacuum gasket is worn or damaged.	Replace gasket.
Little or no solution pressure.	Spray tip filter on hand tool is clogged.	Remove spray tip to get access to filter. Remove and clean filter.

SPECIFICATIONS

MODEL	ANSER
LENGTH	533 mm (21 in)
WIDTH	197 mm (7.75 in)
HEIGHT	445 mm (17.5 in)
WEIGHT	8.2 Kg (18 lbs)
SOLUTION TANK CAPACITY	7.57 L (2 gal)
RECOVERY TANK CAPACITY	5.67 L (1.5 gal)
SOLUTION PUMP	120 VAC, 2.1 kPa (30 psi), 1.25A, 150W
	220 VAC, 2.1 kPa (30 psi), .75A, 165W
	230 VAC, 2.1 kPa (30 psi), .75A, 173W
	240 VAC, 2.1 kPa (30 psi), .75A, 180W
VACUUM MOTOR	120 VAC, 1.12 HP, 7A, 840W, 2 stage, 80 cfm
	220 VAC, 1.12 HP, 3.5A, 770W, 2 stage, 84.5 cfm
	230 VAC, 1.12 HP, 3.5A, 805W, 2 stage, 84.5 cfm
	240 VAC, 1.12 HP, 3.5A, 840W, 2 stage, 84.5 cfm
SEALED WATER LIFT	1800 mm (71 in) 120V
	1968 mm (77.5 in) 220V/230V/240V
TOTAL POWER CONSUMPTION	120VAC, 8.25A, 990 W
	220 VAC, 4.1A, 902 W
	230 VAC, 4.1A, 943 W
	240 VAC, 4.1A, 984 W
POWER CORD	7.6 M (25 ft) 18/3–120V
	7.6 M (25 ft) 3X1.0MM 2X8M–220V/230V/240V
DECIBEL RATING AT OPERATOR'S EAR, INDOORS ON CARPET	<78 dB(A)
HAND TOOL INCLUDED	102 mm (4 in) path, 1Jet, .95 LPM (.25 GPM), 2.4M (8 ft) Vacuum and Solution Hoses.

Este manual se entrega con todas las unidades nuevos del modelo. Incluye las instrucciones necesarias para el uso y el mantenimiento de la unidad, además de la lista de piezas.

Lea este manual por completo y comprenda el funcionamiento de la máquina antes de usarla o de darle servicio.

Esta máquina le dará excelente servicio. Sin embargo, puede obtener los mejores resultados al coste mínimo si:

- Usa la máquina con un cuidado razonable.
- Le de mantenimiento a la máquina en forma regular, de acuerdo a las instrucciones de mantenimiento que incluimos.
- La máquina recibe mantenimiento con piezas de repuesto del fabricante o equivalentes.

DATOS DE LA MÁQUINA

Sírvase llenar los datos en el momento de la preparación para referencia en el futuro.

Modelo No.: _____

Fecha de preparación: _____

Nº de serie: _____

CONTENIDO

MEDIDAS DE SEGURIDAD	10	ARTICULOS RECOMENDADOS PARA MANTENER EN EXISTENCIA	15
INSTRUCCIONES DE CONEXION A TIERRA	11	LOCALIZACION DE FALLAS	16
ADHESIVOS DE SEGURIDAD	11	ESPECIFICACIONES	17
PREPARACIÓN DE LA MÁQUINA	12	DIAGRAMAS ELECTRICAS	18
FUNCIONAMIENTO DE LA MÁQUINA	13	LISTA DE PIEZAS	20
PARA VACIAR EL TANQUE DE RECUPERACIÓN	14	PIEZAS DE LA MÁQUINA	20
MANTENIMIENTO DE MAQUINA	14	ACCESORIO ESTÁNDAR DE MANO	22
MANTENIMIENTO DIARIO	14	OPCIONES	23
MANTENIMIENTO MENSUAL	14	ACCESORIO OPCIONAL DE PISO	23
CADA 250 HORAS DE USO	14	CARRITO TRANSPORTADOR OPCIONAL	24
ALMACENAMIENTO DE LA MÁQUINA	15	JUEGO OPCIONAL QUITAMANCHAS	25

MEDIDAS DE SEGURIDAD

Esta máquina está diseñada para el uso comercial. Se ha diseñado exclusivamente para limpiar alfombras y tapizados en un ambiente interior y no se fabrica para ningún otro uso. Use sólo herramientas de accesorios recomendados y limpiadores de alfombras comercialmente disponibles formulados para la aplicación de la máquina.

Todos los operadores deben leer, entender y practicar las precauciones siguientes de seguridad.

El siguiente símbolo de alerta de advertencia y el encabezamiento de "PARA SEGURIDAD" se usan en este manual como se indica en su descripción:

⚠ ADVERTENCIA: Para advertir de riesgos o prácticas inseguras que podrían resultar en lesiones personales graves o la muerte.

PARA SEGURIDAD: Para identificar acciones que deben seguirse para el funcionamiento seguro del equipo.

El no seguir estas advertencias puede resultar en: lesiones personales, electrocución, choque eléctrico, fuego o explosión.

⚠ ADVERTENCIA: No use líquidos inflamables ni opere la máquina en o cerca de líquidos y vapores inflamables o polvos combustibles.

Esta máquina no está equipada con motores a prueba de explosión. Los motores eléctricos emiten chispas al arrancar y durante el funcionamiento lo que podría causar un fuego explosivo o explosión si la máquina se usa en una área donde están presentes vapores/líquidos inflamables o polvos combustibles.

⚠ ADVERTENCIA: No aspire materiales inflamables o metales reactivos.

⚠ ADVERTENCIA: No opere con un cordón eléctrico dañado. No modifique el enchufe. Desenchufe el cordón eléctrico antes de reparar la máquina.

Si el cordón del suministro se daña o se rompe, debe ser reemplazado por el fabricante o su agente de servicio o una persona similarmente calificada para evitar un riesgo.

⚠ ADVERTENCIA: No use al aire libre o en superficies húmedas. No exponga a la lluvia. Almacén bajo techo.

La información siguiente señala condiciones potencialmente peligrosas para el operador o el equipo:

PARA SEGURIDAD:

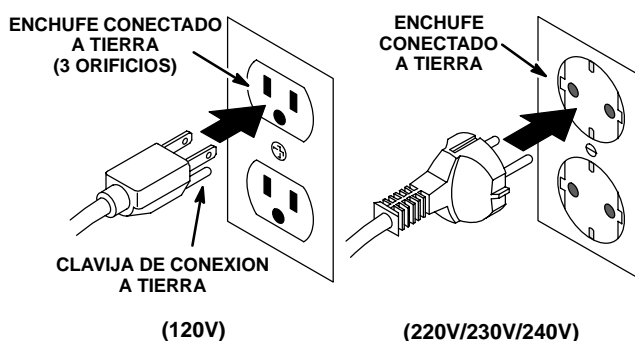
1. No opere la máquina:
 - Con líquidos inflamables o cerca de los vapores inflamables ya que puede ocurrir una explosión o fuego explosivo.
 - A menos que está capacitado y autorizado.
 - A menos que se haya leído y entendido el manual del funcionamiento.
 - A menos que el cordón se conecte apropiadamente a tierra.
 - Con un cordón o enchufe dañados.
 - Si no está en condición de ejecutar una operación apropiada.
 - En áreas al aire libre.
 - En agua estancada.
 - Sin bolsa del polvo en lugar.
2. Antes de arrancar la máquina:
 - Asegúrese que todos los dispositivos de seguridad están en su lugar y operando apropiadamente.
3. Al usar máquina:
 - No tire de la máquina por el enchufe o el cordón.
 - Evite pasar el cable por bordes agudos o esquinas.
 - No desenchufe tirando del cordón.
 - No estire el cordón.
 - No maneje el enchufe con las manos húmedas.
 - Mantenga el cordón lejos de las superficies calientes.
 - Informe inmediatamente acerca de daños o un funcionamiento defectuoso.
 - Siga las instrucciones de mezcla y manejo indicados en los recipientes químicos.
 - Nunca permita que los niños jueguen en o alrededor de la máquina.
4. Antes de salir de o reparar la máquina:
 - Apague la máquina.
 - Desenchufe cordón del tomacorriente de la pared.

5. Al prestar servicio a la máquina:

- Desenchufe cordón del tomacorriente de la pared.
- Evite las piezas móviles. No use chaquetas, camisas, o mangas, holgadas.
- Use piezas de repuesto provistas o aprobadas por el fabricante.
- Todas las reparaciones deben ser realizadas por una persona de servicio calificada.
- No modifique la máquina de su diseño original.

INSTRUCCIONES DE CONEXION A TIERRA

La máquina debe conectarse a tierra. En caso de mal funcionamiento o desajuste, la conexión a tierra provee un recorrido de menor resistencia para la corriente eléctrica para reducir el riesgo de choque eléctrico. Esta máquina está equipada con un cordón con un conductor de conexión a tierra del equipo y enchufe de conexión a tierra. El enchufe debe enchufarse en un tomacorrientes apropiado correctamente instalado de acuerdo con todos los códigos y ordenanzas locales. No extraer la clavija de conexión a tierra; si falta, reemplazar el enchufe antes de usar.



ADHESIVOS DE SEGURIDAD

Los adhesivos de seguridad se encuentran en la posición indicadas a continuación. Sustituya los adhesivos deteriorados o ilegibles.



ADHESIVO DE ADVERTENCIA – Localizado en el frente de la máquina.



PREPARACIÓN DE LA MÁQUINA

1. Desenganche dos pestillos que sostienen el tanque de recuperación en el tanque de agua limpia. Levante el tanque de recuperación separándolo del tanque de agua limpia (Figura 1).



FIG.1

2. Agregue 7.5 litros (2 galones) de agua caliente en el tanque de agua limpia. La temperatura del agua no debe exceder 60°C (140°F). Si sólo está limpiando una pequeña mancha, agregue menos agua. La calcomanía en el tanque de agua limpia muestra el nivel del agua (Figura 2).

⚠ ADVERTENCIA: No use líquidos inflamables ni opere la máquina en o cerca de líquidos y vapores inflamables o polvos combustibles.

Esta máquina no está equipada con motores a prueba de explosión. Los motores eléctricos emiten chispas al arrancar y durante el funcionamiento lo que podría causar un fuego explosivo o explosión si la máquina se usa en una área donde están presentes vapores/líquidos inflamables o polvos combustibles.



FIG. 2

3. Si lo desea, agregue un limpiador líquido al agua limpia. Agregue la cantidad apropiada según las instrucciones del envase.

PARA PROTECCION: Al usar la máquina, siga las instrucciones de mezcla y manejo en los recipientes de sustancias químicas.

ATENCIÓN: No mezcle productos químicos en polvo en el tanque de agua limpia del extractor. Es posible que los polvos no se disuelvan por completo y tapen el sistema de bombeo. Mezcle estos productos en polvo en algún recipiente antes de vaciar la solución en el tanque de agua limpia de la máquina.

4. Coloque una vez más el tanque de recuperación en el tanque de agua limpia y sujete los dos pestillos.
5. Conecte el cable de corriente a un tomacorriente con conexión a tierra (Figura 3).

⚠ ADVERTENCIA: No opere con un cordón eléctrico dañado. No modifique el enchufe. Desenchufe el cordón eléctrico antes de reparar la máquina.

Si el cordón del suministro se daña o se rompe, debe ser reemplazado por el fabricante o su agente de servicio o una persona similarmente calificada para evitar un riesgo.

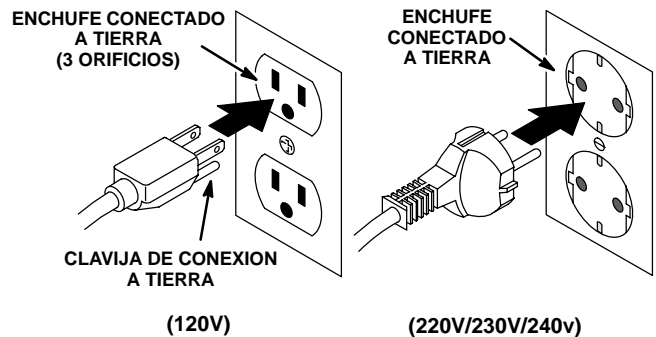


FIG. 3

PARA SU SEGURIDAD: No opere la máquina a menos que el cordón esté bien conectado a tierra.

PARA SU SEGURIDAD: No utilice la máquina con un cable eléctrico alargador.

6. Conecte las mangueras para accesorios de mano en el extractor. Asegúrese de que el acoplador de la manguera quede fijo en el acoplador del extractor (Figura 4).



FIG. 4

7. Use el *Juego quitamanchas* para eliminar la mayor parte de las manchas. (El juego #111002 se vende por separado).

FUNCIONAMIENTO DE LA MÁQUINA

PARA PROTECCION: No opere la máquina a menos que haya leído y entendido el manual del operador.

1. Coloque el interruptor de encendido, que está en la parte posterior del extractor, en la posición de encendido (ON).

ATENCIÓN: Si usa un limpiador químico, siempre revise, en algún lugar no visible, si los colores de la tapicería son firmes.

2. Coloque el accesorio de mano sobre la mancha y oprima el disparador al mismo tiempo que tira hacia atrás del accesorio de mano (Figura 5).



FIG. 5

NOTA: No sobresature la tapicería porque tomará demasiado tiempo en secarse.

⚠ ADVERTENCIA: No aspire materiales inflamables o metales reactivos.

3. Revise periódicamente el nivel del tanque de recuperación. Cuando el tanque de la recuperación alcance el nivel de llenura según lo mostrado, apague la máquina y desagüe el tanque (Figura 6).



FIG. 6

ATENCIÓN: No continúe usando el extractor después de que el líquido llegue al nivel de lleno (FULL LINE), ya que se dañaría el motor; esta situación no está cubierta por la garantía.

OPERACIÓN

PARA VACIAR EL TANQUE DE RECUPERACIÓN

1. Coloque el interruptor de encendido en la posición de apagado (OFF).

PARA PROTECCION: Apague la máquina y desenchufe el cordón del tomacorrientes de la pared, antes de dejar o prestar servicio a la máquina.

2. Desconecte la manguera de aspiración del tanque de recuperación. Abra los pestillos y levante el tanque de recuperación separándolo del tanque de agua limpia. Vacíe por completo el tanque de recuperación y enjuáguelo varias veces con agua limpia para eliminar toda la suciedad que haya quedado en él. Así se evitan los malos olores (Figura 7).



FIG. 7

3. Voltee hacia abajo el tanque de agua limpia sobre un lavabo para vaciar la solución de limpieza que no haya usado. Si usó un producto químico en el tanque de agua limpia, enjuague el tanque con agua limpia para eliminar la espuma. Así se evita que se acumulen residuos químicos en el tanque.

MANTENIMIENTO DE MAQUINA

Para mantener este aparato en buenas condiciones de trabajo, simplemente siga los procedimientos de mantenimiento.

⚠ ADVERTENCIA: Desconecte el cable eléctrico antes de revisar la máquina.

PARA SU SEGURIDAD: Todas las reparaciones deben ser realizadas por una persona de servicio calificada.

MANTENIMIENTO DIARIO

1. Limpie la máquina con un limpiador no abrasivo, no solvente.
2. Enjuague completamente los tanques.
3. Quite y limpie el filtro de aspiración.
4. Inspeccione el cordón y la empuñadura del cordón por daños. Si está dañado reemplace inmediatamente. Enrolle el cable después de cada uso.
5. Revise si la manguera de aspiración tiene orificios o puños sueltos.

MANTENIMIENTO MENSUAL

1. Enjuague el sistema de bombeo con una solución de ácido acético, para disolver la acumulación normal alcalina de los productos químicos.

PARA PROTECCION: Al usar la máquina, siga las instrucciones de mezcla y manejo en los recipientes de sustancias químicas.

- a. Mezcle 0.5 L (16 oz) de una solución de ácido acético en el tanque de agua limpia con 7.5 litros (2 galones) de agua caliente (60°C, 140°F, como máximo).
- b. Coloque el interruptor en la posición de encendido.
- c. Conecte el accesorio de mano y oprima el disparador hasta que la solución de ácido acético comience a salir por la punta rociadora. Rocíe la solución dentro de algún recipiente.
- d. Deje que la solución permanezca en el sistema hasta 6 horas a una temperatura superior a la temperatura de congelación.
- e. Más tarde, rocíe la solución en el recipiente. Luego deje correr 7.5 litros (2 galones) de agua limpia a través del sistema para eliminar todas las impurezas.

CADA 250 HORAS DE USO

Inspeccione el motor de aspiración por desgaste de las escobillas de carbón. Reemplace las escobillas si se han gastado a un largo de 10mm (0.38 pul.) o menos.

Las reparaciones del motor deberán ser realizadas por personal autorizado.

PARA ALMACENAR ESTE APARATO:

1. Antes de almacenar la máquina, asegúrese de vaciar y enjuagar el tanque de recuperación.
2. No permita que la máquina llegue a congelarse.

⚠ ADVERTENCIA: No use al aire libre o en superficies húmedas. No exponga a la lluvia. Almacén bajo techo.

ALMACENAMIENTO DE LA MÁQUINA A TEMPERATURAS MENORES A LA DE CONGELACIÓN:

Asegúrese de que el aparato, la bomba y el sistema de rocío estén completamente vacíos y secos. Vacíe anticongelante sin diluir en el tanque de agua limpia y déjelo circular a través del sistema.

ARTICULOS RECOMENDADOS PARA MANTENER EN EXISTENCIA

Refiérase a la sección de Lista de Piezas para los artículos recomendados en existencia. Los artículos en existencia están claramente identificados con una bola precediendo a la descripción de las piezas. Vea el ejemplo de abajo:

Ref.	Part No	Description	Qty.
1	701103	ASM., STANDPIPE	1
2	100610	● FLOAT, SHUTOFF	1
3	230187	NIPPLE	1
4	101714	● GASKET	1
5	210240	NUT, FLANGED	1

OPERACIÓN

LOCALIZACION DE FALLAS

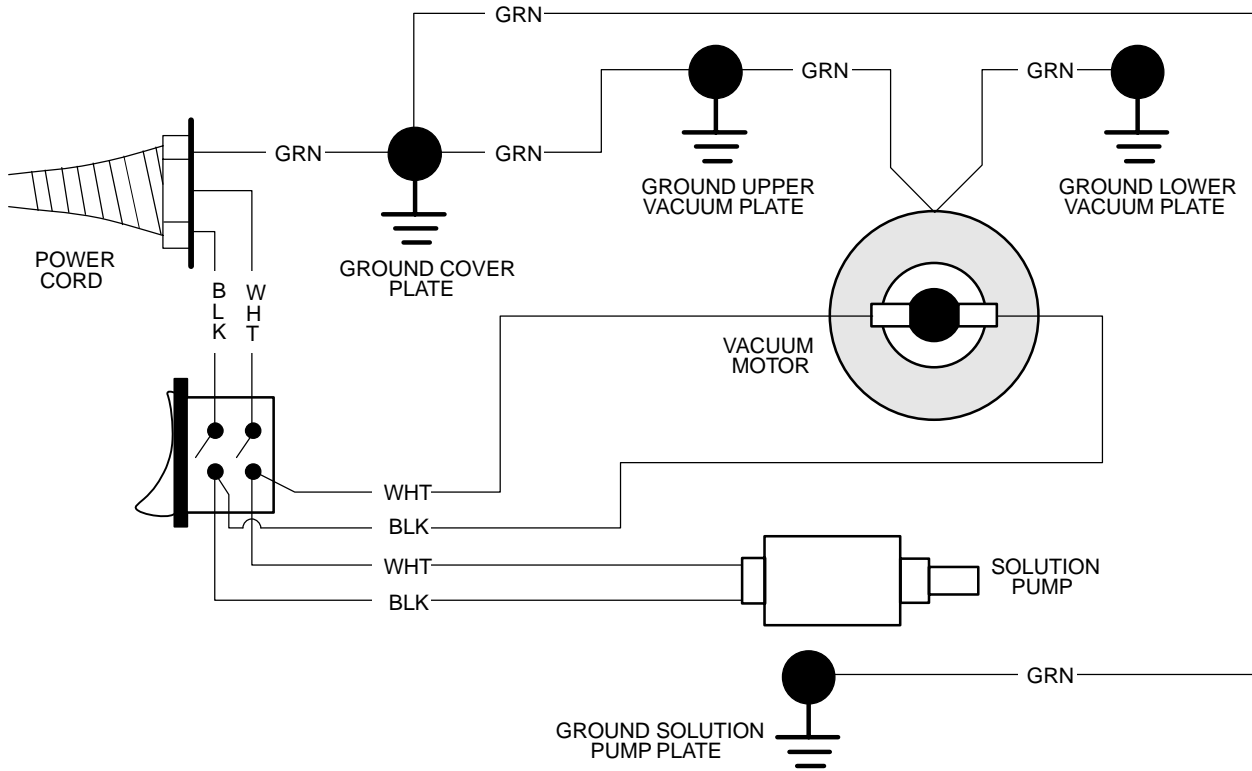
PROBLEMA	CAUSA	SOLUCIÓN
Hay poca aspiración.	El puño de la manguera de aspiración no está introducido con firmeza dentro del adaptador del tanque de recuperación.	Empuje el puño de la manguera de aspiración totalmente dentro del adaptador del tanque de recuperación.
	El filtro de aspiración está tapado.	Saque y limpie el filtro.
	El tanque de recuperación no está sujeto con firmeza en el tanque de la solución. Hay fugas de aire alrededor del empaque.	Sujete ambos pestillos hacia abajo para formar un sello firme entre los dos tanques.
	El empaque está desgastado o dañado.	Cambie el empaque.
La línea del agua limpia o de la solución tiene baja presión o no tiene presión.	El filtro de la punta rociadora está tapado.	Desmonte la punta rociadora para tener acceso al filtro. Saque y limpie el filtro.

ESPECIFICACIONES

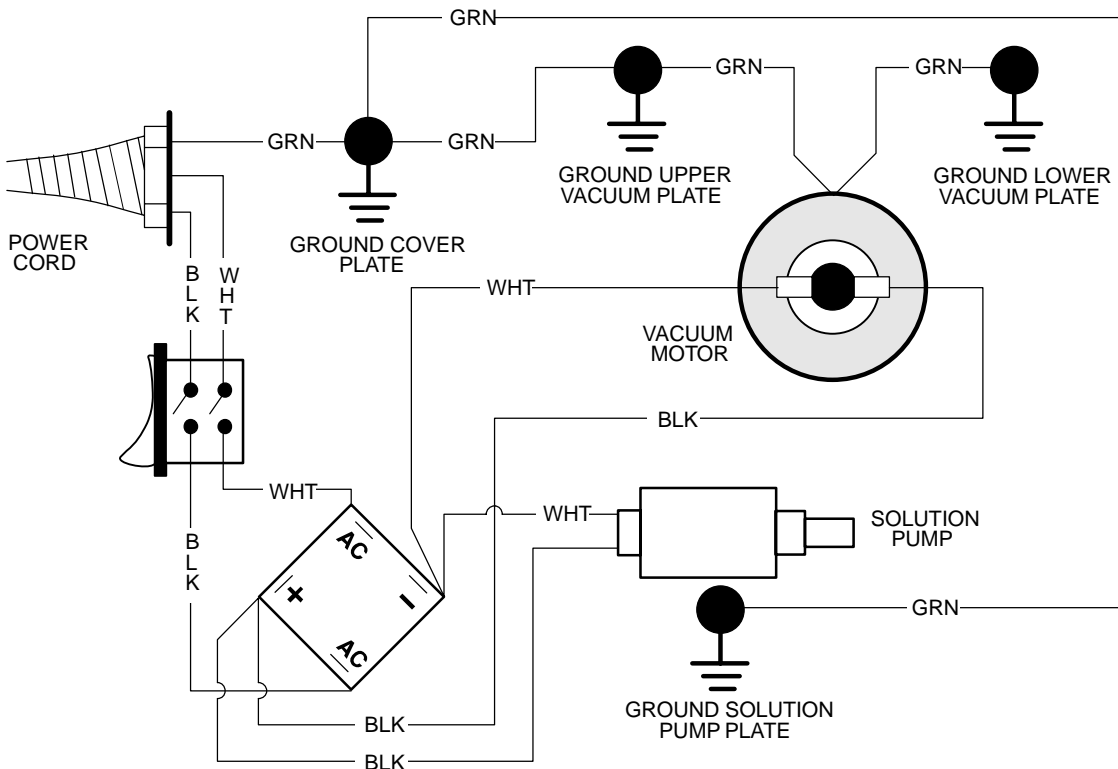
MODELO	ANSER™
LARGO	533 mm (21 in)
ANCHO	197 mm (7.75 in)
ALTO	445 mm (17.5 in)
PESO	8.2 Kg (18 lbs)
CAPACIDAD DEL TANQUE DE SOLUCION	7.57 L (2 gal)
CAPACIDAD DEL TANQUE DE RECUPERACION	5.67 L (1.5 gal)
BOMBA DE SOLUCION	120VAC, 207 kPa (30 psi), 1.25A,150W 220 VAC, 2.1 kPa (30 psi), .75A, 165W 230 VAC, 2.1 kPa (30 psi), .75A, 173W 240 VAC, 2.1 kPa (30 psi), .75A, 180W
MOTOR DE ASPIRACION	120VAC, 1.12 HP, 7A, 840W, 2 stage, 80 cfm 220/230/240 VAC, 1.12 HP, 3.5A, 805W, 2 stage, 84.5 cfm
ELEVADOR SELLADO DE AGUA	1803 mm (71 in) 120V 1968 mm (77.5 in) 220V/230V/240V
CONSUMO TOTAL DE ENERGIA	120VAC, 8.25A, 990 W 220 VAC, 4.1A, 902 W 230 VAC, 4.1A, 943 W 240 VAC, 4.1A, 984 W
CORDON ELECTRICO	7.6 M (25 ft) 18/3–120V 7.6 M (25 ft) 3X1.0MM 2X8M–220V/230V/240V
CANTIDAD DE DECIBELES EN EL OIDO DEL OPERADOR, INTERIOR SOBRE LA ALFOMBRA	<78 dB(A)
HERRAMIENTA DE LA MANO INCLUIDO	102 mm (4 in) path, 1 jet, .95 LPM (.25 GPM), 2.4M (8 ft) Mangueras del vacío y de la solución.

ELECTRICAL DIAGRAMS DIAGRAMAS ELECTRICAS

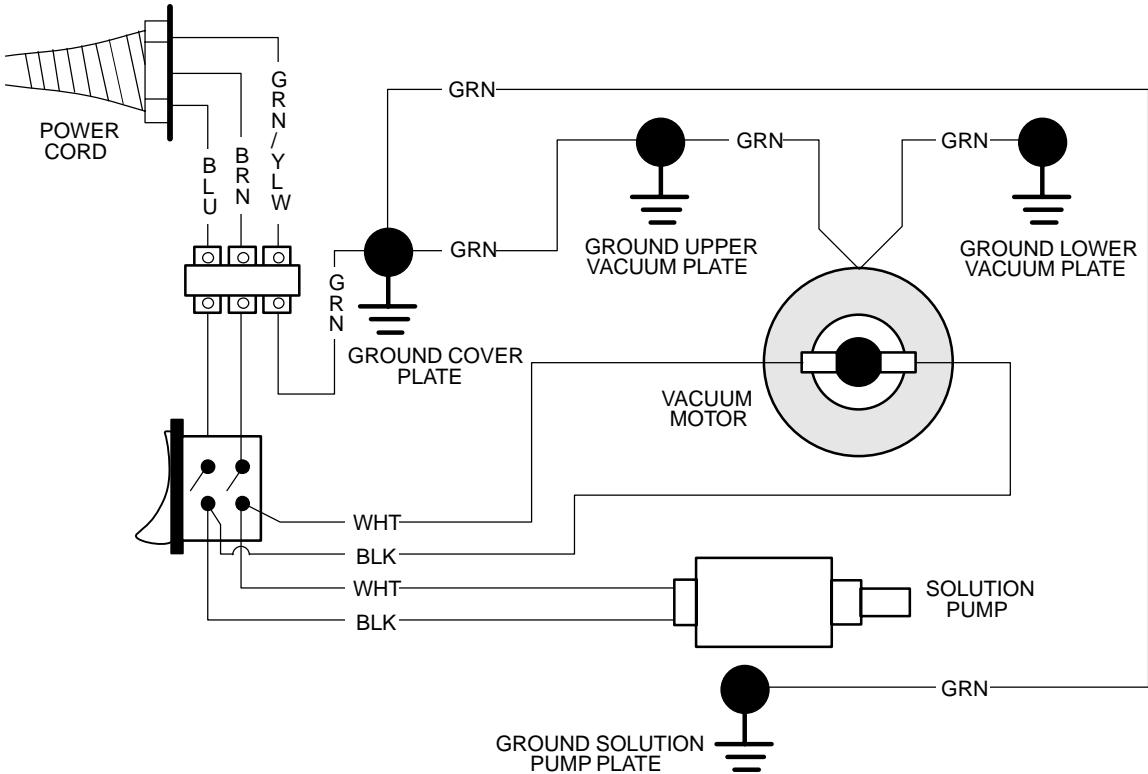
120V 50/60HZ



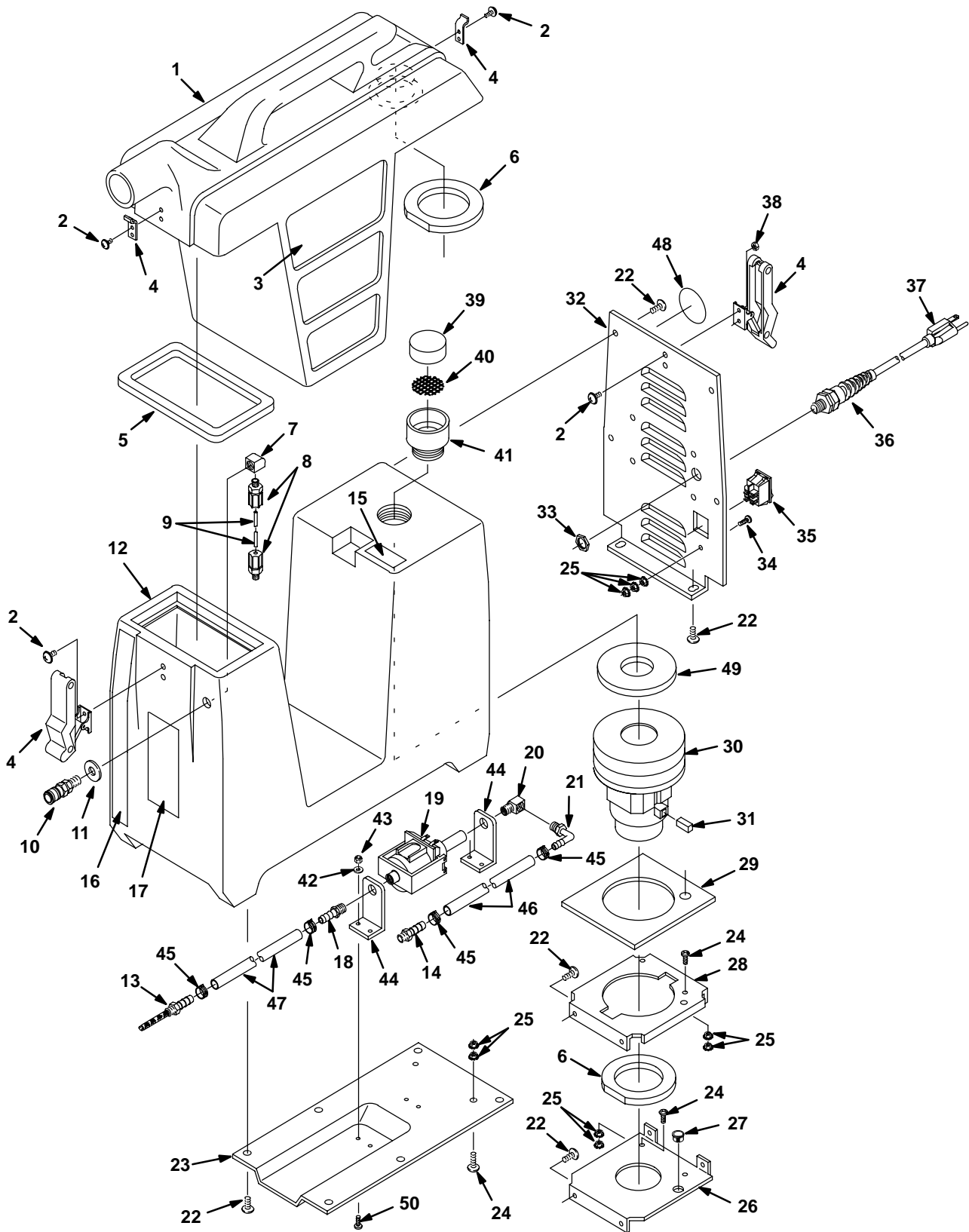
120V – 400Hz



220V/230V



MACHINE PARTS
PIEZAS DE LA MÁQUINA



MACHINE PARTS
LISTA DE PIEZAS DE LA MÁQUINA

REF	PART #	DESCRIPTION	QTY.
1	100360	TANK , RECOVERY, WHITE	1
2	609980	SCREW, 8-32X3/8 TRSPHL SEMS	8
3	608503	DECAL, NOBLES ANSER	2
4	140932	●LATCH, HOOD RUBBER	2
5	102553	●GASKET, SOLUTION TANK SEAL	1
6	102556	●GASKET, RECOVERY TANK SEAL	2
7	150402	ELBOW, 90° 1/8F X 1/8F	1
8	150309	CONNECTOR MALE 1/8NPT W/NUT	2
9	560495	TUBING, NYLON .17ID X 12"	1
10	150915	COUPLER, QCK 1/8 BRASS-SER 5	1
11	140036	WASHER, FLAT 3/8	1
▽ 12	604331	TANK, SOLUTION, WHITE	1
▲ 13	603650	FILTER, SOLUTION TANK	1
▲ 14	603649	ADAPTER FITTING 1/4HXB1/4H	1
▲ 15	120906	DECAL, "IMPORTANT DRAIN..."	1
▲ 16	121006	DECAL, GALLON/LITER MARK	1
▲ 17	613283	LABEL, WARNING	1
18	150525	FITTING, 1/8M X 1/4H	1
19	603653	●PUMP, 30PSI 120V 60HZ	1
	604238	●PUMP, 30PSI 230V 50HZ (220V/230V/240V 50HZ)	1
20	150407	FITTING, 1/8M X 1/8F ELBOW 90	1
21	578214000	ELBOW, 1/8M X 1/4 H 90° NYLON	1
22	140197	SCREW, 10-24X3/8	14
23	608513	PANEL, BOTTOM, BLACK	1
24	140892	SCREW, 10-24X1/2 RNDPHL	3
25	140519	NUT, KEP 10-24 - S/S	9
26	230776	PLATE, BAFFLE	1
27	130698	BUSHING, SNAP	1
28	230777	PLATE VAC MOTOR MOUNT	1
29	102552	●GASKET, VAC MOTOR PLATE	1

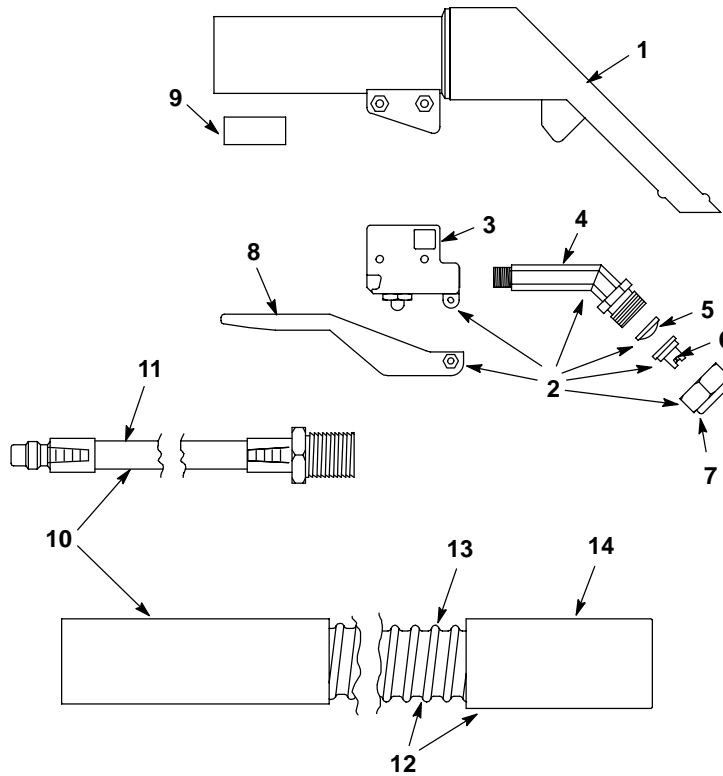
REF	PART #	DESCRIPTION	QTY.
▽ 30	130457	●MOTOR, VAC 4.8-2 STG (120V)	1
▲ 31	190155	●CARBON BRUSH KIT (2/PK)	2
32	608514	PANEL REAR COVER, BLACK	1
33	140549	NUT, LOCK 3/8 CONDUIT	1
34	140895	SCREW, MCH 10-24X3/4	1
35	602669	●SWITCH, ROCKER 20A DPST	1
36	130137	●CORD GRIP 3/8NPT BLK	1
37	130277	●CORD, 18/3X25' YELLOW (120V)	1
38	28990	NUT, LOCK 8-32 W/NYLON INST	2
39	102550	●FILTER, FOAM	1
40	230794	●FILTER, SCREEN 004 MESH	1
41	230836	FITTING, STR 1-1/2MX1-1/4F	1
42	140011	WASHER, #10 FLAT	4
43	140552	NUT, NYLON 10-24	4
44	603663	BRACKET, PUMP MOUNT	2
45	603654	CLAMP, HOSE EAR	4
46	603651	HOSE, 1/4"ID X 5-1/4"	1
47	603652	HOSE, 1/4"ID X 10-1/2"	1
48	-	N/A	1
49	102557	●GASKET, VAC MOTOR SEAL	1
50	140892	SCREW 10-24X1/2	4

▽ ASSEMBLY / CONJUNTO

▲ INCLUDED IN ASSEMBLY / INCLUIDO EN EL CONJUNTO

● RECOMMENDED STOCK ITEMS / ARTICULOS RECOMENDADOS PARA
MANTENER EN EXISTENCIA

STANDARD HAND TOOL
ACCESORIO ESTÁNDAR DE MANO



REF	PART #	DESCRIPTION	QTY.
	613396	●ASM., HAND TOOL COMPLETE	1
▽	608901	●ASM., HAND TOOL W/TRIGGER	1
▲ 1	608891	●TOOL, HAND W/O TRIGGER	1
▲▽ 2	608899	ASM., TRIGGER	1
▲ 3	608894	BODY, VALVE	1
▲ 4	608895	NOZZLE, SPRAY	1
▲ 5	608900	●SCREEN	1
▲ 6	608896	●TIP, SPRAY	1
▲ 7	608897	●CAP	1

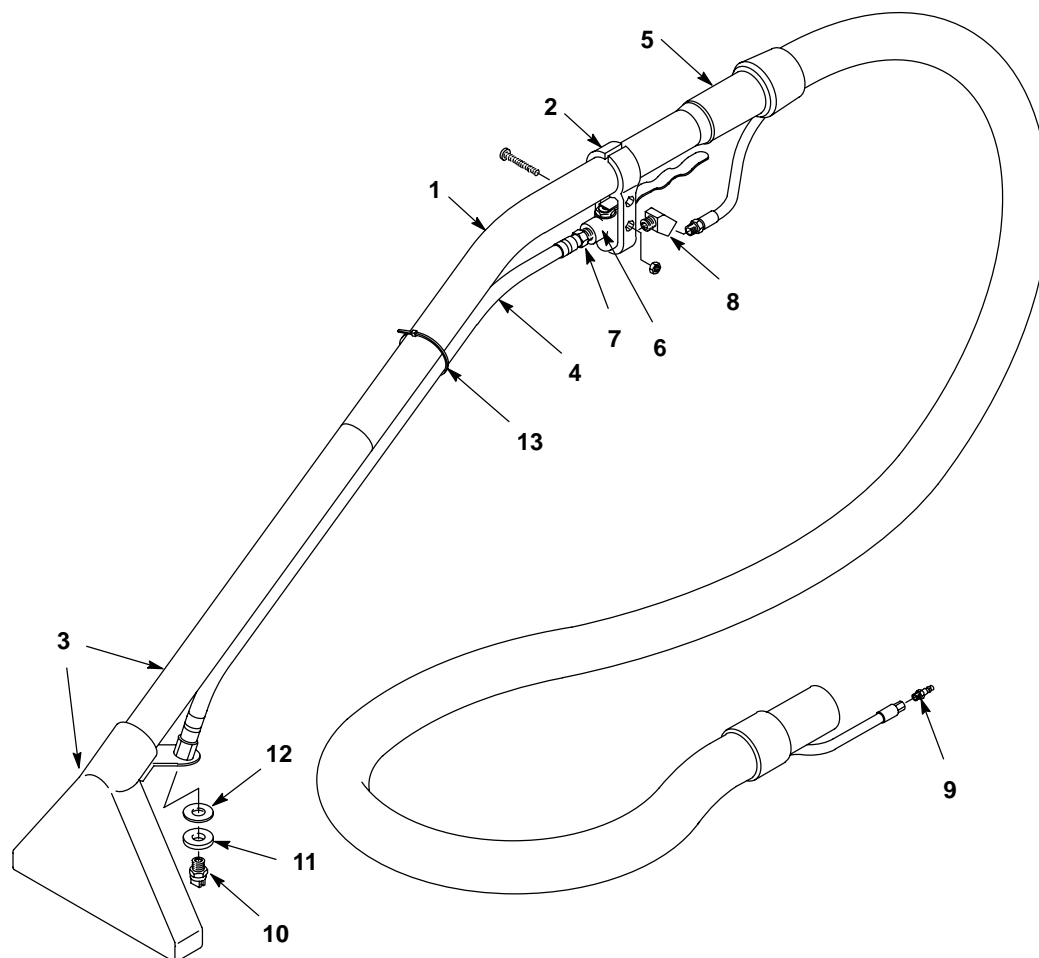
REF	PART #	DESCRIPTION	QTY.
▲ 8	608898	TRIGGER	1
9	608892	SEAL, SOLUTION HOSE	1
▽ 10	613395	●ASM., HOSE VAC/SOL W/ TWO CUFFS	1
▲ 11	608893	●ASM., SOLUTION HOSE	1
▲▽ 12	613394	●ASM., HOSE VAC W/ONE CUFF	1
▲ 13	613393	●HOSE, VACUUM 1-1/2"	1
▲ 14	609440	●CUFF, HOSE 1-1/2" X 3-1/2"	1

▽ ASSEMBLY / CONJUNTO

▲ INCLUDED IN ASSEMBLY / INCLUIDO EN EL CONJUNTO

● RECOMMENDED STOCK ITEMS / ARTICULOS RECOMENDADOS PARA
MANTENER EN EXISTENCIA

**OPTIONAL FLOOR TOOL
ACCESORIO OPCIONAL DE PISO**



REF	PART #	DESCRIPTION	QTY.
▽	605976	●TOOL, FLOOR COMPLETE	1
▲ 1	200467	WAND, UPPER SECTION ONLY	1
▲ 2	605988	ASM., VALVE HANGER	1
▲ 3	605977	ASM., 8" HEAD AND LOWER TUBE	1
▲ 4	605991	ASM., 1/4" HOSE WHIP 3 FT	1
▲ 5	603546	●HIDE A HOSE 1-1/2"X10FT	1
▲ 6	578064000	●VALVE, WATER CONTROL	1

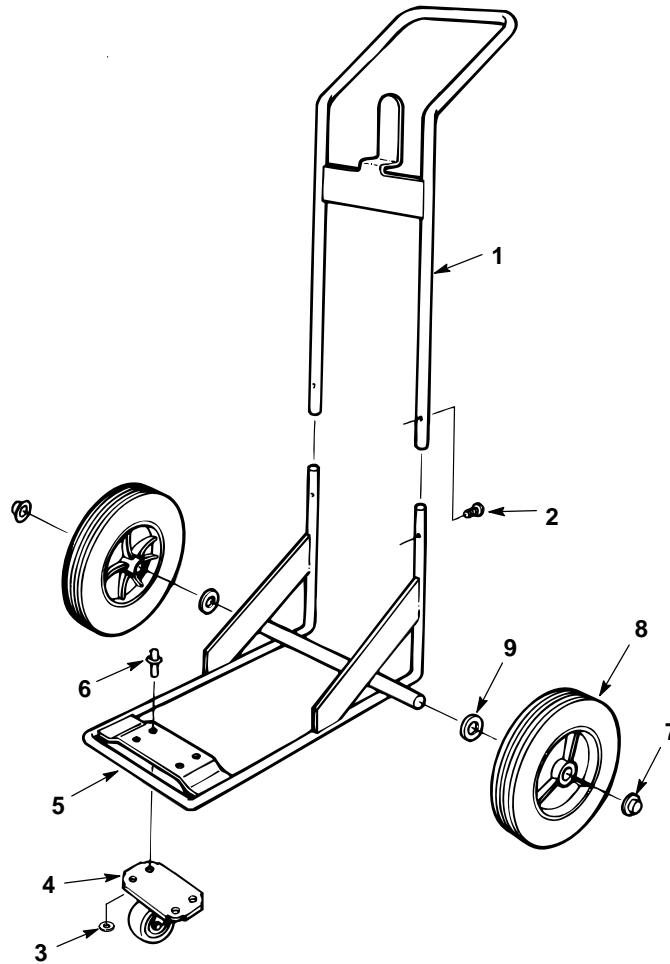
REF	PART #	DESCRIPTION	QTY.
▲ 7	150516	FITTING, 1/4MX3/8H BARB BRS	1
▲ 8	150403	FITTING, 1/4MX1/4F ELBOW STR45	1
▲ 9	150921	●PLUG, QCK. COUPLER – SER. 5	1
▲ 10	605989	●JET, VEE PLASTIC	1
▲ 11	605990	WASHER, ABS, 0.53X1.1X0.19 BLK	1
▲ 12	140058	WASHER, .543X.875X.062 WAND	1
▲ 13	130041	TIE, CABLE BLACK	1

▽ ASSEMBLY / CONJUNTO

▲ INCLUDED IN ASSEMBLY / INCLUIDO EN EL CONJUNTO

● RECOMMENDED STOCK ITEMS / ARTICULOS RECOMENDADOS PARA
MANTENER EN EXISTENCIA

**OPTIONAL HANDCART
CARRITO TRANSPORTADOR OPCIONAL**



REF	PART #	DESCRIPTION	QTY.
▽	701015	●ASM., CART COMPLETE	1
▲ 1	230781.BK	HANDLE, WELDMENT CART	1
▲ 2	140890	SCREW, 10-24X1/2 TRSPHL	2
▲ 3	140000	WASHER, FLAT 1/4" USS -ZINC	4
▲ 4	103001	●CASTER, 3" SWIVEL	1

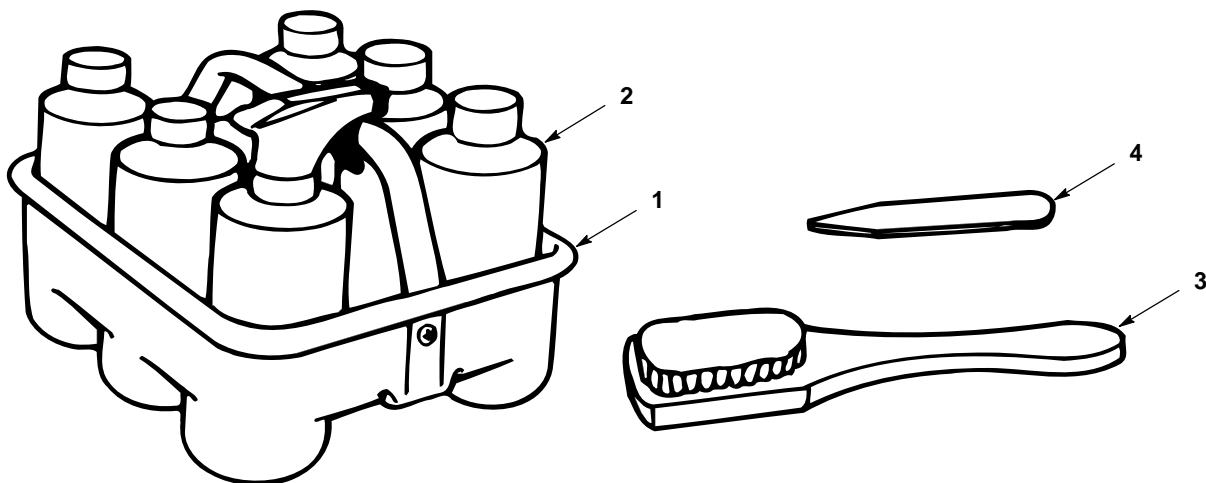
REF	PART #	DESCRIPTION	QTY.
▲ 5	230780.BK	FRAME, WELDMENT CART	1
▲ 6	140701	RIVET, POP 1/4 X .126-.250	4
▲ 7	103019	●CAP, HUB	2
▲ 8	607277	●WHEEL, 8" X 1.75 SMOOTH GRAY	2
▲ 9	140008	WASHER, FLAT .570X1.28X.075	2

▽ ASSEMBLY / CONJUNTO

▲ INCLUDED IN ASSEMBLY / INCLUIDO EN EL CONJUNTO

● RECOMMENDED STOCK ITEMS / ARTICULOS RECOMENDADOS PARA MANTENER EN EXISTENCIA

OPTIONAL SPOTTING KIT
JUEGO OPCIONAL QUITAMANCHAS



REF	PART #	DESCRIPTION	QTY.
▽	111002	●KIT, SPOTTING	1
▲ 1	701165	●ASM., BASKET	1
▲ 2	609261	●KIT, CHEMICAL (5-1 PINT BOTTLE ASSORTMENT)	1
▲ 3	240042	●BRUSH, TAMPING HEAVY DUTY	1
▲ 4	240049	●SCRAPER, WHALEBONE	1
N/S	113200	TANNIN, BROWN-EX (12 PINTS/CASE)	1
	112105	TANNIN, BROWN-EX (4 GALLONS/CASE)	1
N/S	112301	SPOTTER, ALL PURPOSE (12 PINTS/CASE)	1
	112305	SPOTTER, ALL PURPOSE (4 GALLONS/CASE)	1
N/S	113202	CHEMICAL, GUM REMOVER (12 PINTS/CASE)	1
	113215	CHEMICAL, GUM REMOVER (4 GALLONS/CASE)	1

REF	PART #	DESCRIPTION	QTY.
N/S	113203	SPOTTER, DRY SOLVENT (12 PINTS/CASE)	1
	113213	SPOTTER, DRY SOLVENT (4 GALLONS/CASE)	1
N/S	113204	ENZYMES, ORDER ELIMINATOR (12 PINTS/CASE)	1
	113214	ENZYMES, ORDER ELIMINATOR (4 GALLONS/CASE)	1
N/S	112201	CHEMICAL, PRETREAT (12 PINTS/CASE)	1
	112210	CHEMICAL, PRETREAT (4 GALLONS/CASE)	1
N/S	112405	CHEMICAL, DEFOAMER (4 GALLONS/CASE)	1
N/S	112012	●PACKETS, CLEANING SOLUTION 2 OZ EACH (50 PACKETS/CASE)	1

▽ ASSEMBLY / CONJUNTO

▲ INCLUDED IN ASSEMBLY / INCLUIDO EN EL CONJUNTO

● RECOMMENDED STOCK ITEMS / ARTICULOS RECOMENDADOS PARA
MANTENER EN EXISTENCIA