



Speedshine

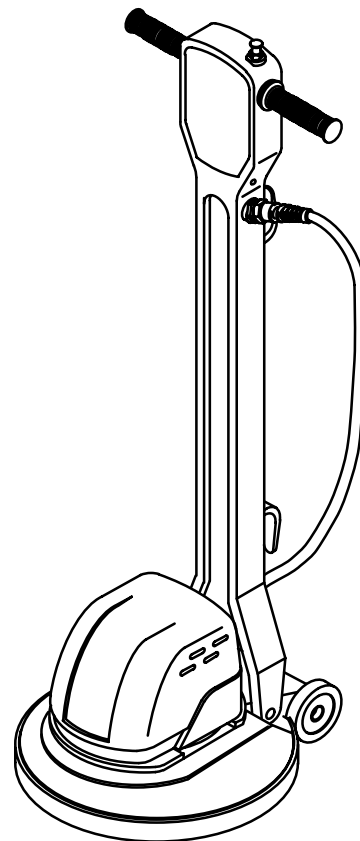
1700LS/1700HD/1700DS 2000LS/2000HD/2000DS

Floor Machine
Máquina para pisos

Model No.:

608235 – 1700LS
608236 – 1700HD
608657 – 1700DS
608233 – 2000LS
608234 – 2000HD
608720 – 2000DS

**Operator and Parts Manual
Manual del Operador y Piezas**



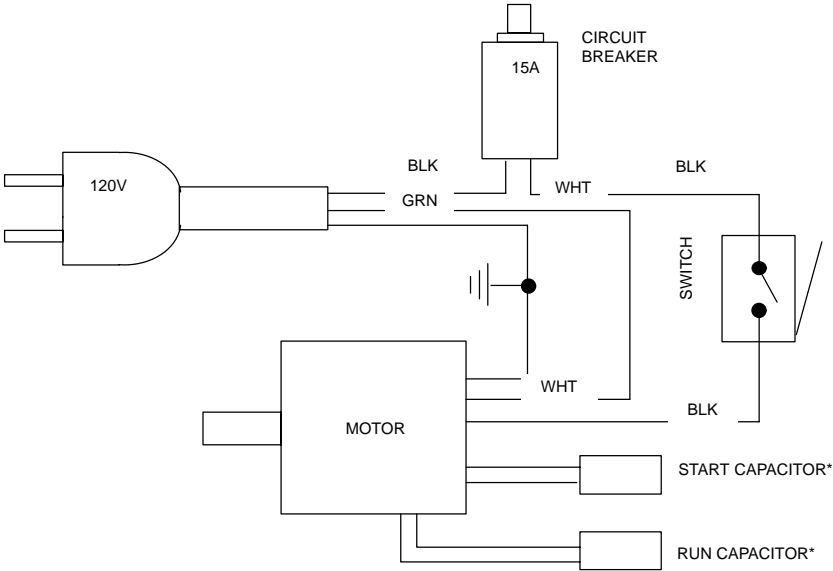
NOBLES
12875 RANSOM STREET
HOLLAND MI 49424 U.S.A.

CUSTOMER SERVICE: 1-800-365-6625
FAX: 1-800-678-4240
OUTSIDE U.S. : 1-616-786-2330

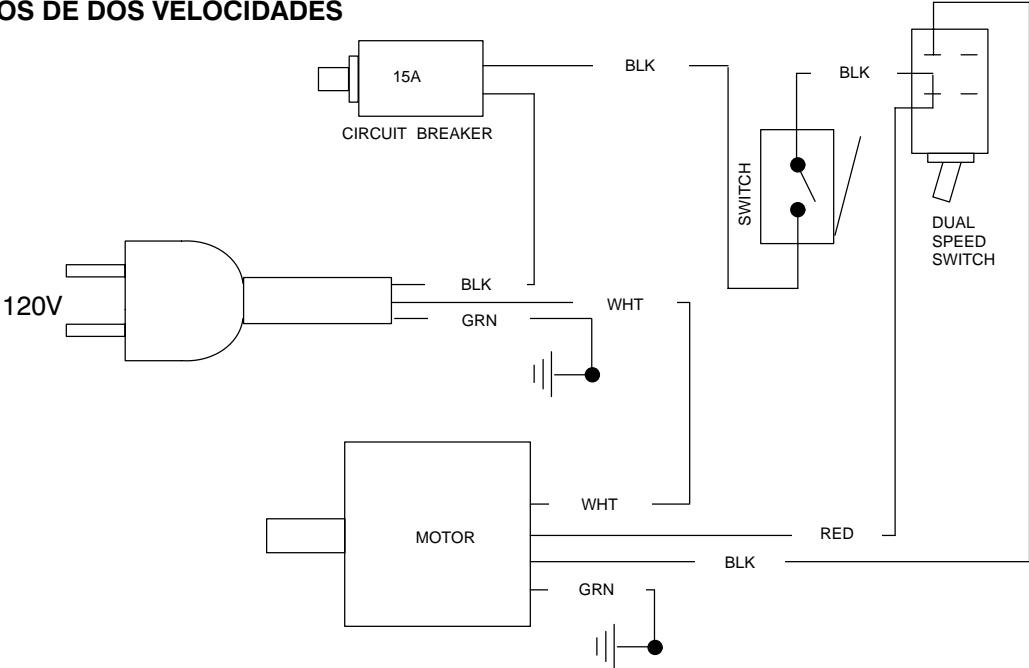
608406
Rev. 02 (07-02)

SINGLE SPEED – 120V
MODELOS DE UNA VELOCIDAD

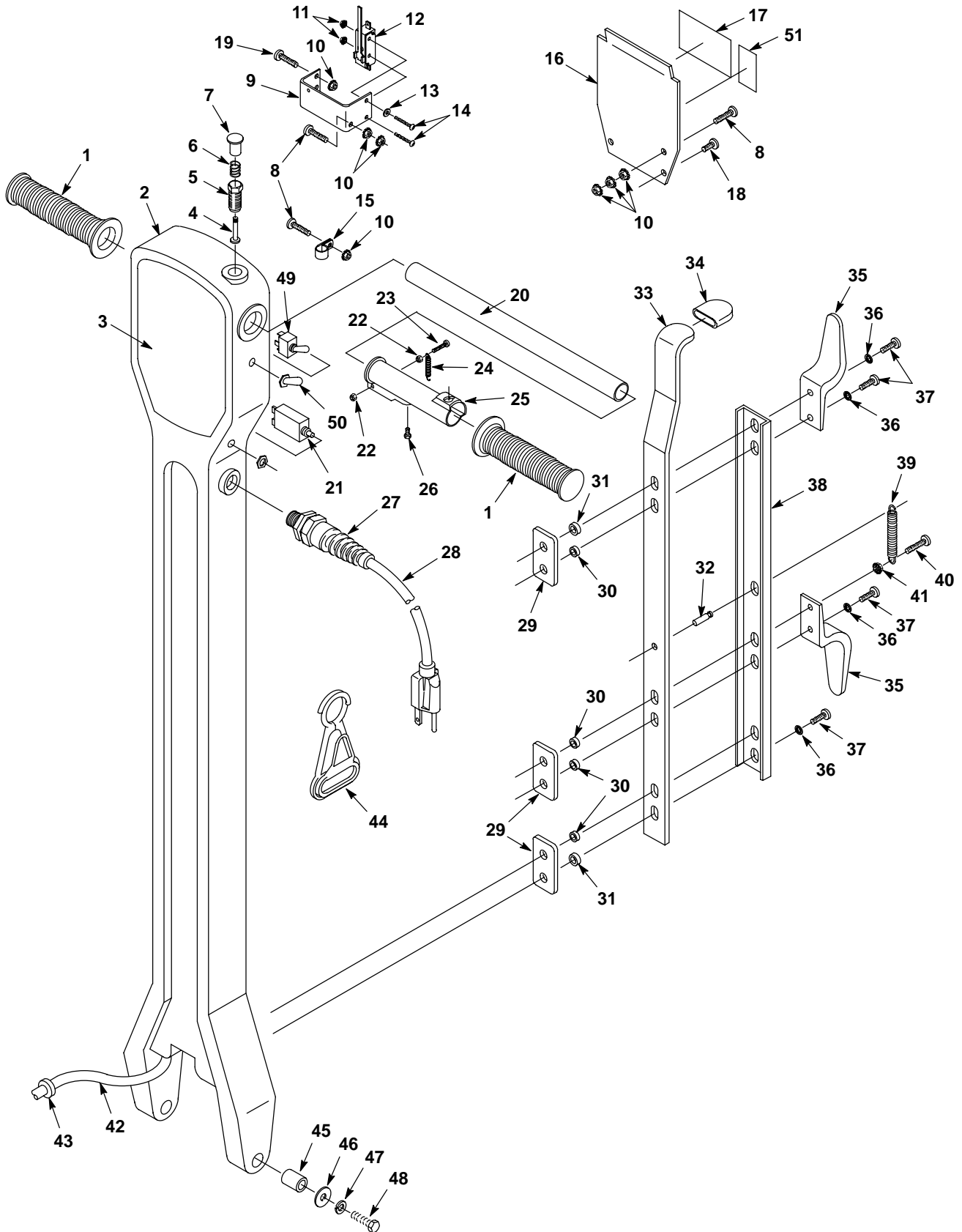
*1.5HP MODEL ONLY



DUAL SPEED – 120V
MODELOS DE DOS VELOCIDADES



HANDLE GROUP
GRUPO DEL ASA



HANDLE GROUP GRUPO DEL ASA

REF	PART #	DESCRIPTION	QTY.
1	200823	GRIP, HANDLE TUBE	2
2	608385	HANDLE, GREEN (SINGLE SPD & HD MODELS)	1
	608404	HANDLE, GREEN (DUAL SPD MODELS)	1
3	608464	LABEL, SPEEDSHINE 1200	1
	6084630	LABEL, SPEEDSHINE 1600	1
	608398	LABEL, SPEEDSHINE 2000	1
4	230856	PIN, LOCK RELEASE	1
5	230857	SOCKET, LOCK	1
6	140401	SPRING, LOCK BUTTON	1
7	230855	BUTTON, LOCK RELEASE	1
8	140900	SCREW, 10-24X3/4	3
9	230854	BRACKET, SWITCH	1
10	140519	NUT, 10-24	8
11	140539	NUT, 6-32	2
12	605407	●SWITCH	1
13	140032	WASHER, #6 FLAT	1
14	140829	SCREW, 6-32X1	2
15	140324	CLAMP, CABLE 5/16ID BLK NYLON (SINGLE SPD & HD MODELS)	1
	140328	CLAMP, CABLE 3/8ID BLK NYLON (DUAL SPD MODEL)	1
16	612763	PLATE, HANDLE REAR	1
17	120619	LABEL, WARNING	1
18	140197	SCREW, 10-24X3/8 TRSPHL SEM	2
19	140823	SCREW, 10-24X5/8 PHL	2
20	230853	HANDLE, TUBE	1
21	605197	●BREAKER, CIRCUIT 15A (120V)	1
22	28990	NUT, 8-32 NYLOCK	2
23	6010.16	SCREW, 8-32X1	1
24	600987	SPRING	1
25	100355	SLEEVE, LOCKING	1

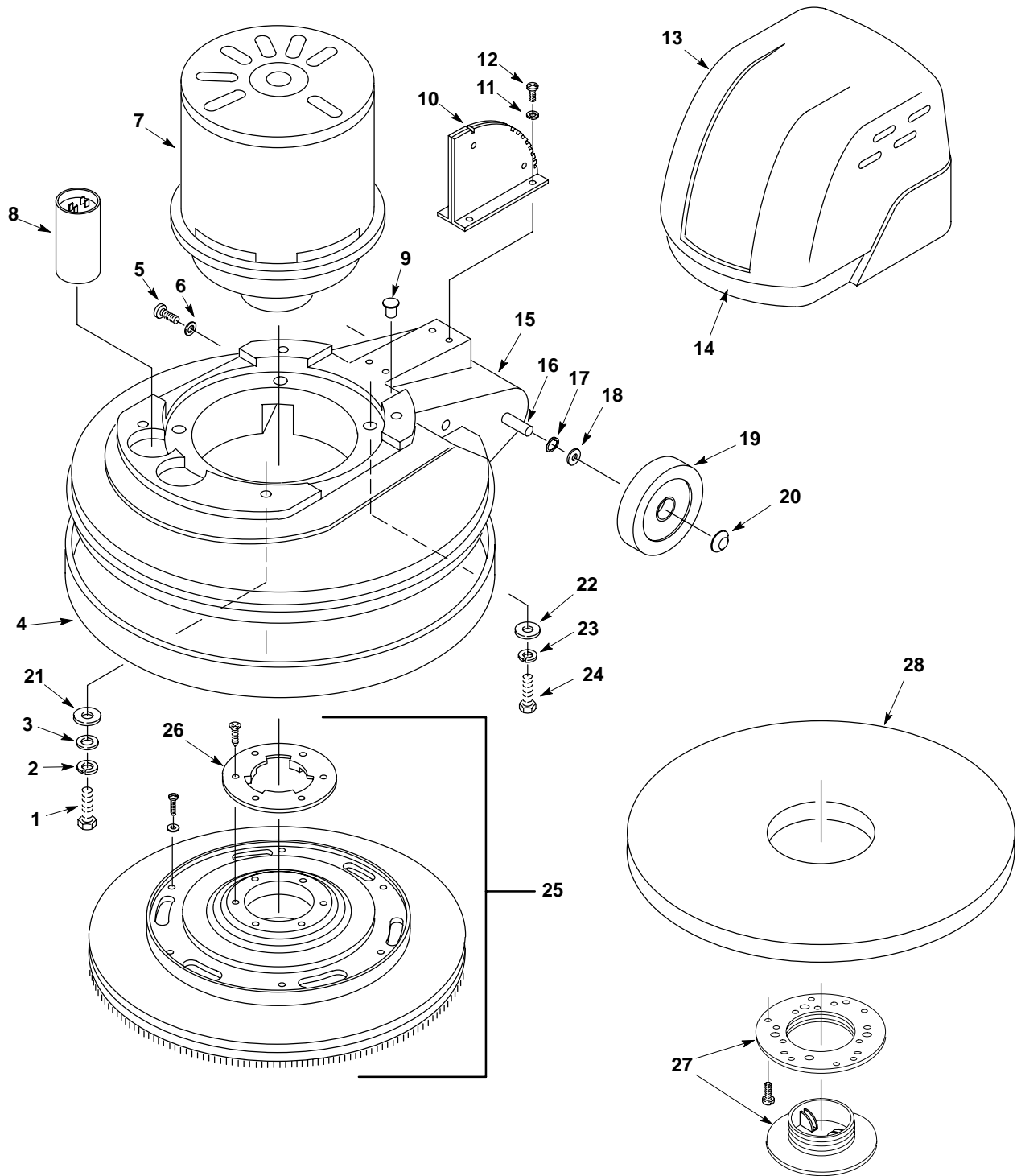
REF	PART #	DESCRIPTION	QTY.
26	140259	SCREW, HEX .25-20X.62	1
27	602849	●GRIP, CORD (120V)	1
28	602747	●CORD, 14/3X50' YELLOW (120V)	1
29	230852	PLATE, BACKING	3
30	140147	SLEEVE, .25X.44X.20	4
31	140146	SLEEVE, .25X.50X.19	2
32	140604	PIN, GROOVE 1/4X3/4	1
33	611141	LATCH, HANDLE	1
34	200821	GRIP, LATCH	1
35	602750	HOOK, CORD	2
36	140052	WASHER, 1/4 EXT	5
37	140864	SCREW, 1/4-20X3/4	5
38	230859	CHANNEL, LATCH HANDLE	1
39	140402	SPRING, HANDLE LATCH	1
40	140881	SCREW, 1/4-20X1	1
41	140524	NUT, 1/4-20 KEP	1
42	130204	CORD, 14/3X57" BLACK (SINGLE SPD & HD MODELS)	1
	130203	CORD, 14/4X57" BLACK (DUAL SPD MODEL)	1
43	130141	BUSHING, STRAIN-RELIEF	1
44	130176	●BELT CLIP, STRAIN-RELIEF (OPTIONAL)	1
45	140148	SLEEVE, .625DX1.4L	2
46	3148.816	WASHER, FLAT	2
47	140024	WASHER, LOCK	2
48	140235	SCREW, 1/2-13X2 HXHDCP	2
49	130726	SWITCH, TOGGLE (DUAL SPD MODELS)	1
50	130990	BOOT, RUBBER SWITCH BLACK (DUAL SPD MODELS)	1
51	120675	LABEL, OPERATION (DUAL SPD MODELS)	1

▽ ASSEMBLY / CONJUNTO

▲ INCLUDED IN ASSEMBLY / INCLUIDO EN EL CONJUNTO

● RECOMMENDED STOCK ITEMS / ARTICULOS RECOMENDADOS PARA
MANTENER EN EXISTENCIA

BASE GROUP
GRUPO BASE



BASE GROUP
GRUPO BASE

REF	PART #	DESCRIPTION	QTY.
1	140255	SCREW, 1/4-20X1.75	4
2	140016	WASHER, LOCK	4
3	140000	WASHER, FLAT	4
4	602543	BUMPER, 17" MODEL	1
	602545	BUMPER, 20" MODEL	1
5	140852	SCREW, #12X3/4 SHTMETL PNP HL (17" MODELS)	2
	140824	SCREW, 1/4-20X5/8 TRSPHL (20" MODELS)	2
6	019680127	WASHER, FLAT (17" MODELS)	2
	140003	WASHER, 1/4X1 FNDR (20" MODELS)	2
▽ 7	130497	MOTOR, 120V (SINGLE SPD MODELS)	1
▲	130465	COUPLING, MOTOR	1
▲	25516	GEAR BOX 10:1	1
▲ 8	130762	●CAPACITOR, START (BLACK)	1
	606243	TAPE, DBL STICK 1"X0.170'	2
▽ 7	130451	MOTOR, 120V 1.5 HP (HD MODELS)	1
▲	130465	COUPLING, MOTOR	1
▲	25516	GEAR BOX 10:1	1
▲ 8	605286	●CAPACITOR, RUN (SILVER)	1
	130762	●CAPACITOR, START (BLACK)	1
	606243	TAPE, DBL STICK 1"X0.170'	3
▽ 7	130494	MOTOR, 120V (DUAL SPD MODELS)	1
▲	190742	●CARBON BRUSH CARD ASM.	1
▲	22117	●CARBON BRUSH	4
▲	190753	●RECTIFIER, 120V	1
▲	190744	●CONTROL, SPEED 120V	1
▲	515021	●HOLDER	1
9	130198	PLUG	1
10	611133	PLATE, LATCH	1
11	140015	WASHER, LOCK	4
12	140226	SCREW, 5/16-18X.625	4
13	608403	COVER, MOTOR, GREEN	1
14	120582	DECAL, RECESS	1
16	608909	AXLE, 1/2X10.040"	1
15	608658	BASE, 17", GREEN	1
	608401	BASE, 20", GREEN	1

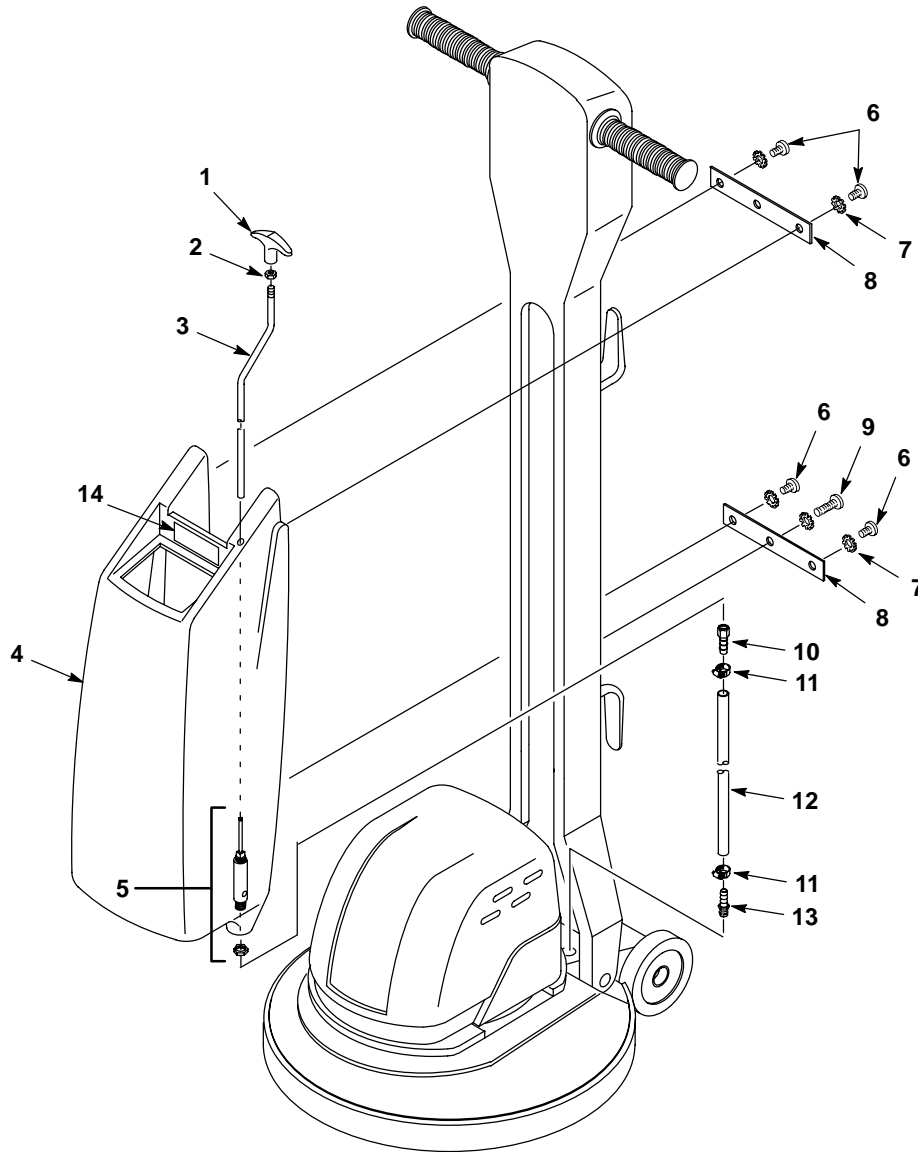
REF	PART #	DESCRIPTION	QTY.
17	4252	WASHER, COMP.	2
18	3148.816	WASHER, FLAT	2
19	103066	●WHEEL, 4"X1.5 GRAY	2
20	103019	CAP, HUB	2
21	140027	WASHER, FLAT .31	4
22	140003	WASHER, 1/4X1 FNDR (SINGLE SPD & HD MODELS)	8
	140046	WASHER, 1.00X.392X.090 FLAT (DUAL SPD MODELS)	4
23	140016	WASHER, LOCK SPLIT 0.25 (SINGLE SPD & HD MODELS)	4
	140015	WASHER, LOCK SPLIT 0.31 (DUAL SPD MODELS)	4
24	140212	SCREW, 1/4-20X1-1/2 HXHDCP (SINGLE SPD & HD MODELS)	4
	140216	SCREW, 5/16-18X1-1/2 HXHDCP (DUAL SPD MODELS)	4
▽ 25	605124	ASM., PAD DRIVER 432MM (17") SINGLE SPD & HD MODELS (OPTIONAL)	1
	605123	ASM., PAD DRIVER 508MM (20") SINGLE SPD & HD MODELS (OPTIONAL)	1
	603537	ASM., PAD DRIVER 432MM (17") DUAL SPD MODELS (OPTIONAL)	1
	605225	ASM., PAD DRIVER 508MM (20") DUAL SPD MODELS (OPTIONAL)	1
	600255	BLOCK, WOOD SANDING 432MM (17") SINGLE SPD (OPTIONAL)	1
	600256	BLOCK, WOOD SANDING 508MM (20") SINGLE SPD (OPTIONAL)	1
▲ 26	603539	PLATE, CLUTCH PLASTIC	1
27	603538	●LOCK, CENTER (OPTIONAL)	1
28	240255	BRUSH, DYNA-SCRUB 432MM (17") SINGLE SPD (OPTIONAL)	1
	240257	BRUSH, DYNA-SCRUB 508MM (20") SINGLE SPD (OPTIONAL)	1
	240256	BRUSH, STRATA-GRIT 432MM (17") SINGLE SPD (OPTIONAL)	1
	240258	BRUSH, STRATA-GRIT 508MM (20") SINGLE SPD (OPTIONAL)	1
	605117	BRUSH, ROTARY SHOWERFEED 432MM (17") SINGLE SPD (OPTIONAL)	1
	605118	BRUSH, ROTARY SHOWERFEED 508MM (20") SINGLE SPD (OPTIONAL)	1

▽ ASSEMBLY / CONJUNTO

▲ INCLUDED IN ASSEMBLY / INCLUIDO EN EL CONJUNTO

● RECOMMENDED STOCK ITEMS / ARTICULOS RECOMENDADOS PARA MANTENER EN EXISTENCIA

SOLUTION TANK GROUP
GRUPE DEL DEPÓSITO DE DISOLUCIÓN



REF	PART #	DESCRIPTION	QTY.
▽	609226	ASM., SOLUTION TANK GREEN	1
▲ 1	240194	KNOB, HEIGHT ADJ.	1
▲ 2	140548	NUT 5/16	1
▲ 3	230399	ROD, VALVE SOLUTION TANK	1
▲ 4	609150	TANK, SOLUTION GREEN	1
▲▽ 5	700197	ASM., VALVE	1
▲	210216	VALVE, W/ NUT & O-RING	1
▲	210218	O-RING SEAL FOR VALVE	1
▲ 6	140885	SCREW, TRS 1/4-20X1/2 PHL	4

REF	PART #	DESCRIPTION	QTY.
▲ 7	140052	WASHER, LOCK EXT. .25	5
▲ 8	230475	BRACKET, SOLUTION TANK	2
▲ 9	140881	SCREW, 1/4-20X1	1
▲ 10	150511	FITTING	1
▲ 11	140305	CLAMP, HOSE	2
▲ 12	606667	HOSE 3/8 ID X 10"	1
▲ 13	150516	FITTING	1
▲ 14	610722	DECAL, WARNING FLAMMABLE	1

▽ ASSEMBLY / CONJUNTO

▲ INCLUDED IN ASSEMBLY / INCLUIDO EN EL CONJUNTO

● RECOMMENDED STOCK ITEMS / ARTICULOS RECOMENDADOS PARA
MANTENER EN EXISTENCIA