



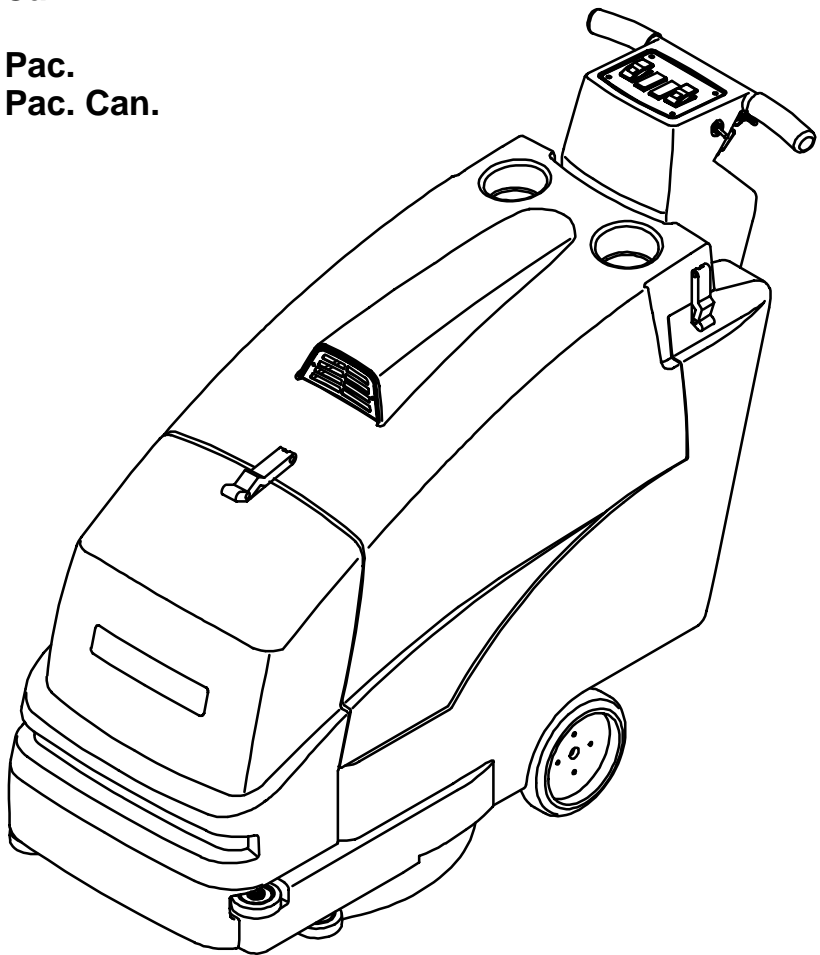
SpeedGleam®/Plus

36 Volt Dust Control Burnisher

Model No.:

- 612963 – SpeedGleam
- 612964 – SpeedGleam Pac.
- 612965 – SpeedGleam Pac. Can.
- 612966 – SpeedGleam Plus
- 612967 – SpeedGleam Plus Pac.
- 612968 – SpeedGleam Plus Pac. Can.

Operator and Parts Manual



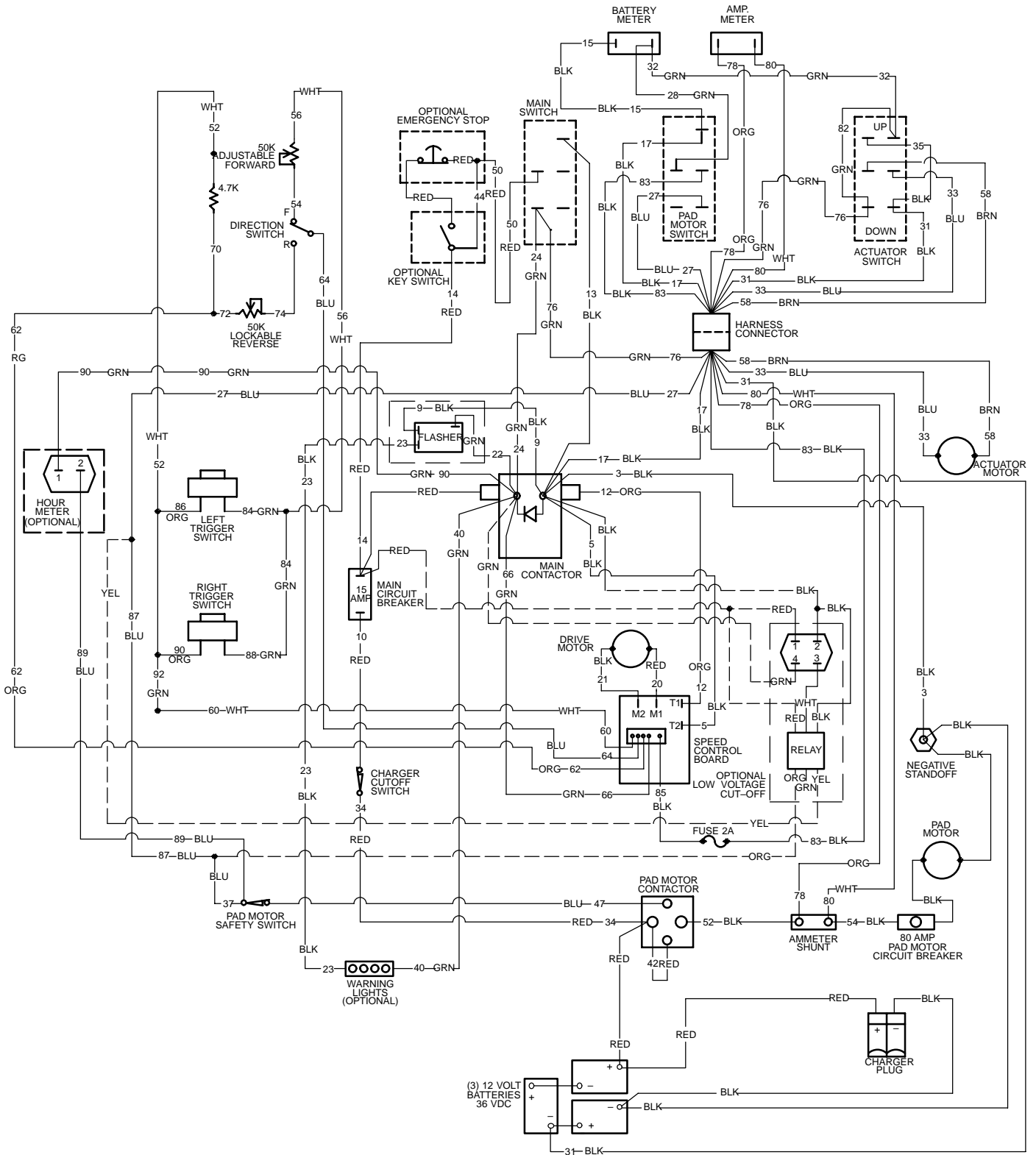
NOBLES
12875 RANSOM STREET
HOLLAND MI 49424 U.S.A.

CUSTOMER SERVICE: 1-800-365-6625
FAX: 1-800-678-4240

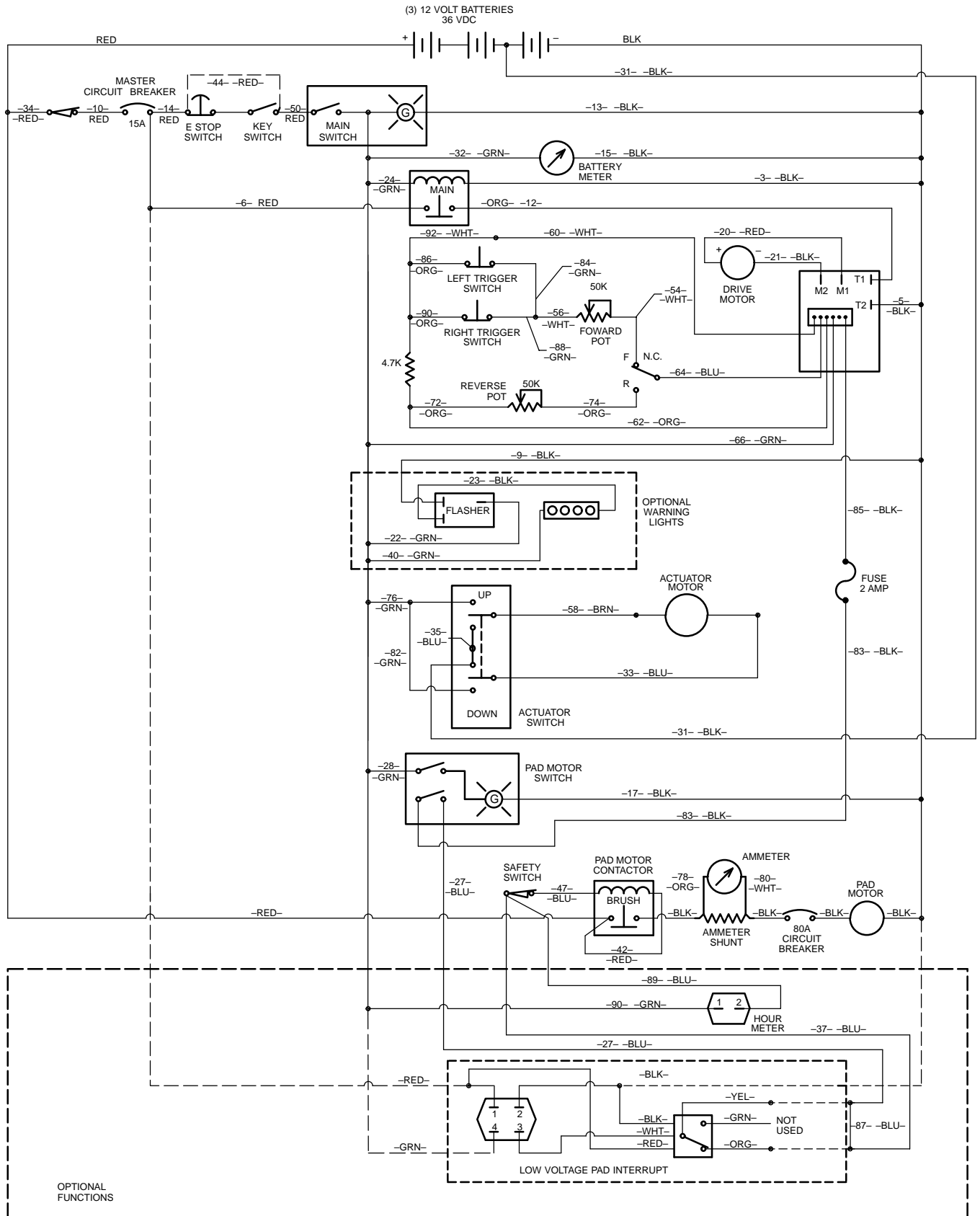
612938
Rev. 00 (01-02)

ELECTRICAL DIAGRAMS

120V WIRING DIAGRAM PLUS MODEL

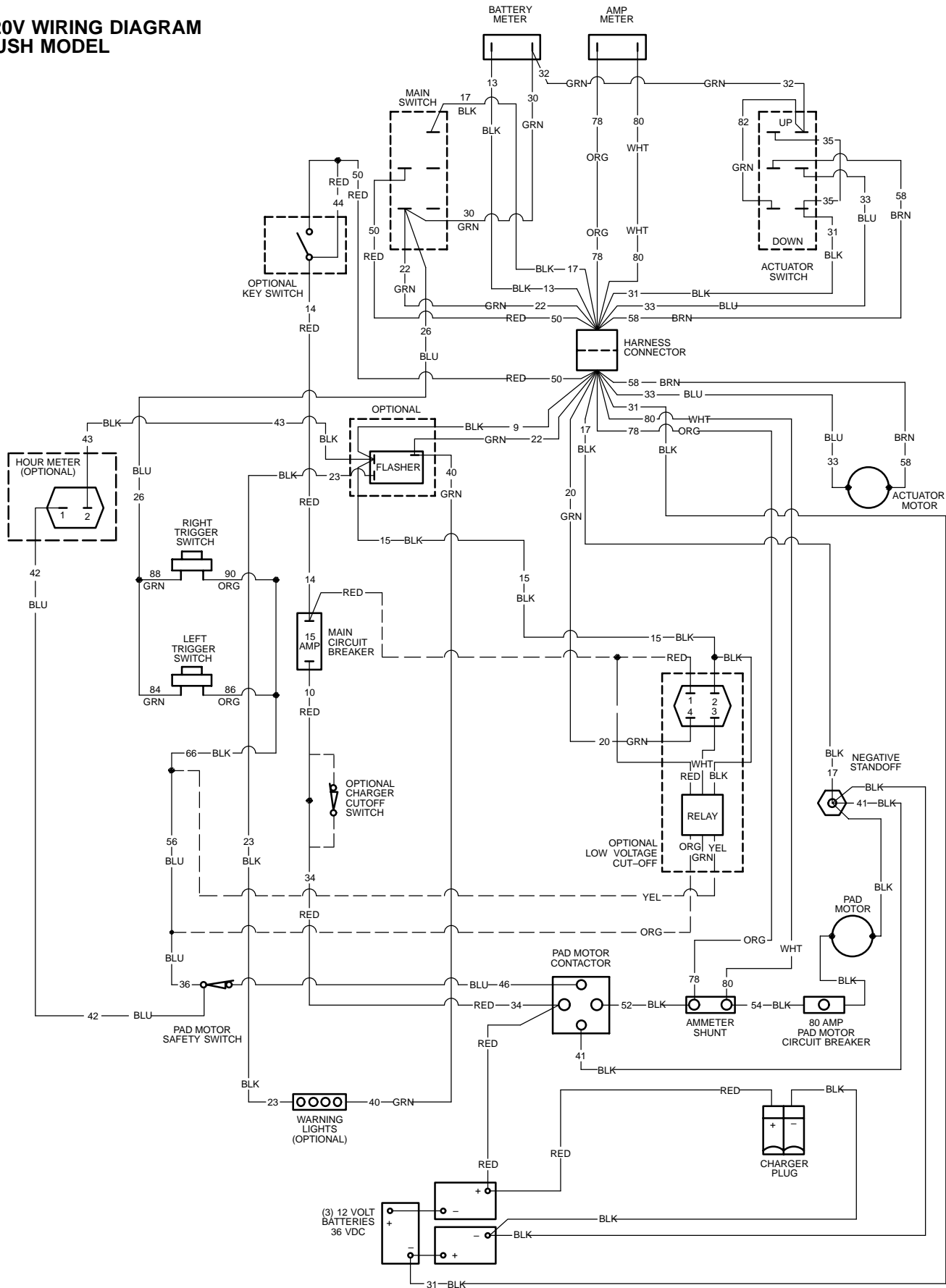


120V LADDER DIAGRAM PLUS MODEL

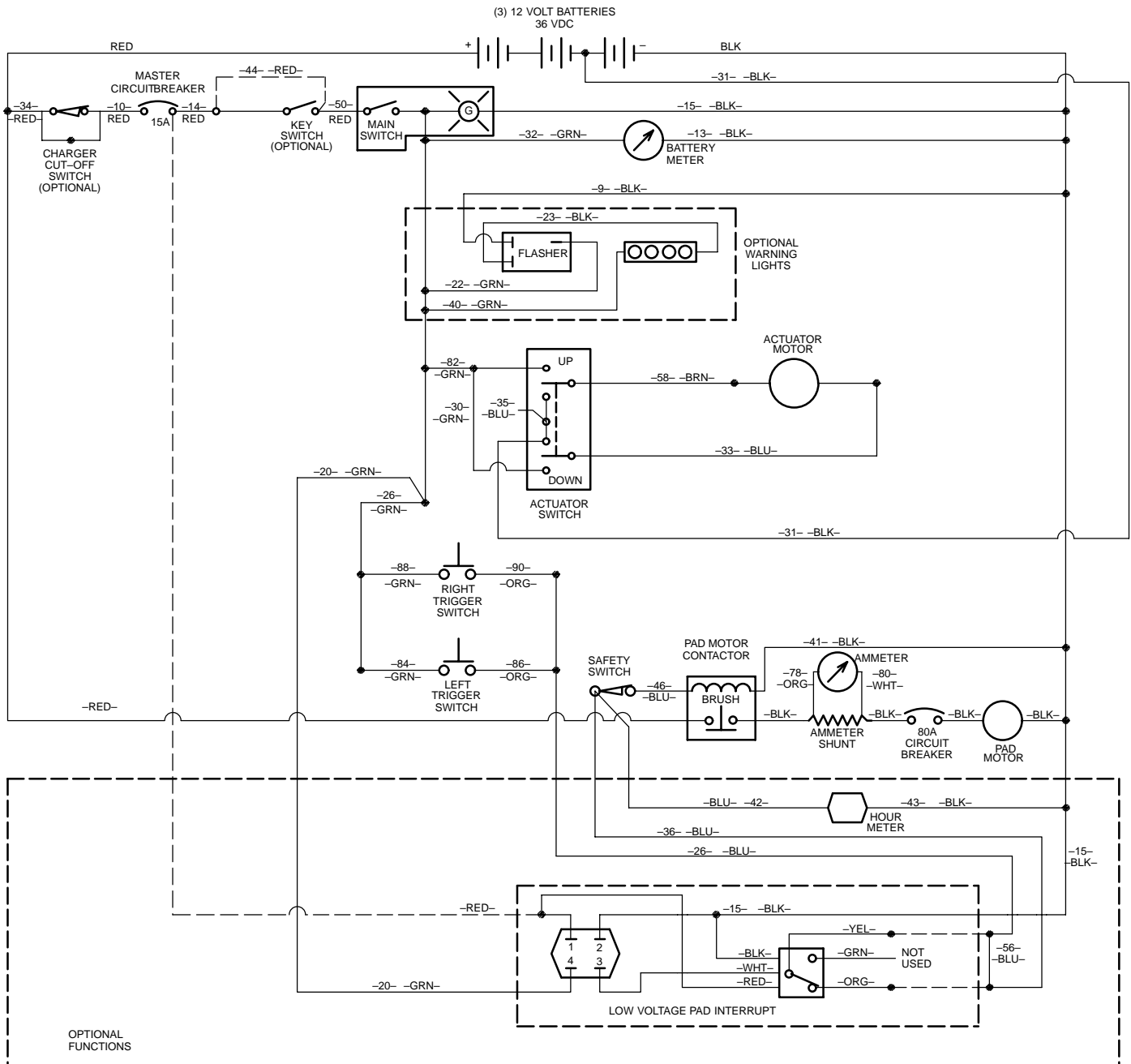


ELECTRICAL DIAGRAMS

120V WIRING DIAGRAM PUSH MODEL

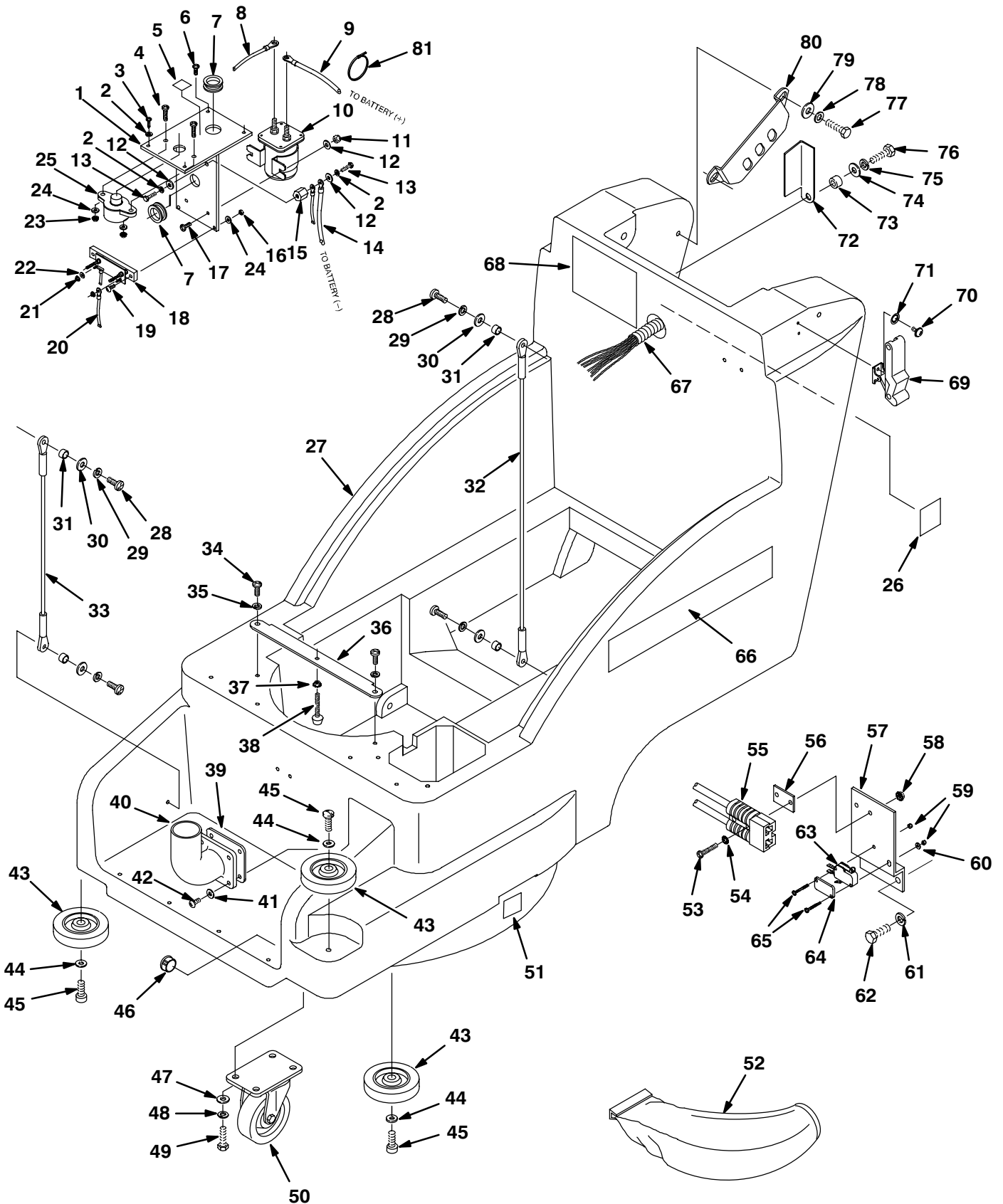


120V LADDER DIAGRAM
PUSH MODEL



PARTS LIST

MAIN HOUSING GROUP



MAIN HOUSING GROUP

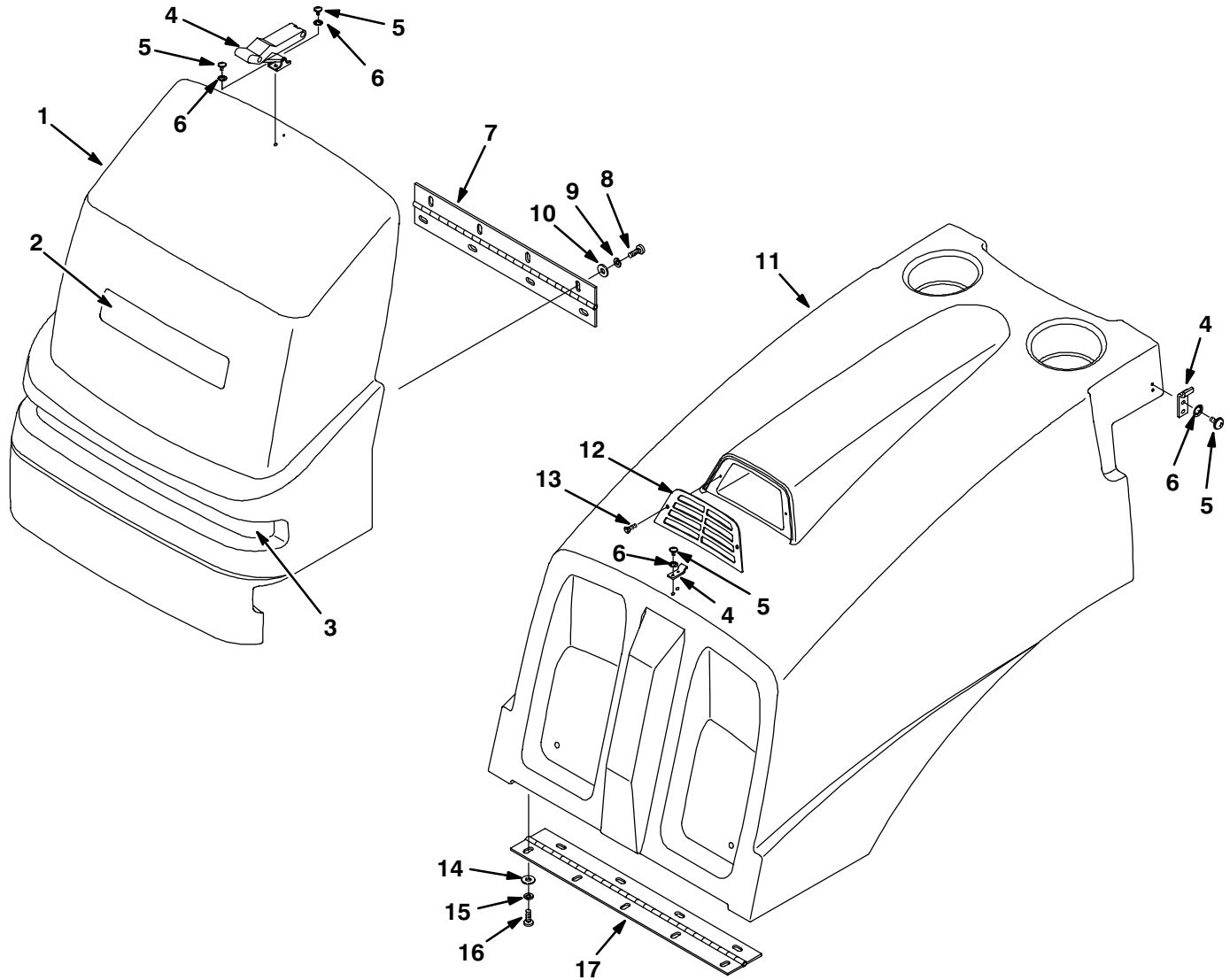
REF	PART #	DESCRIPTION	QTY.
1	604271	BRACKET, ELECTRICAL CHASSIS	1
2	140016	WASHER, LOCK 1/4	5
3	578187000	SCREW, M6X1.0X12 PANPHL	3
4	578302000	SCREW, M5X26 PANPHL	2
5	604794	DECAL, PAD CIRCUIT BREAKER	1
6	140340	SCREW, #10X5/8 PANPHL	1
7	069762009	GROMMET, DIA 25.4X03	2
8	604291	ASM, WIRE #4 BLK X 6"	1
9	604289	ASM, WIRE #4 RED X 46"	1
10	612766	●CONTACTOR, 36 VDC	1
11	140284	NUT, M6 NYLOCK	2
12	140000	WASHER, FLAT 1/4	4
13	140553	SCREW, 1/4-20X1/2 HXHDCP	2
14	604290	ASM, WIRE #4 BLK X 27"	1
15	578427	STANDOFF, TERMINAL	1
16	140283	NUT, M5X.8 NYLOCK	2
17	608322	SCREW, M6X16MM	2
18	605292	SHUNT	1
19	578302000	SCREW, M5X26 PANPHL	2
20	604292	ASM, WIRE #4 BLK X 6"	1
21	140524	NUT, 1/4-20 KEP	2
22	140026	WASHER, #6 FLAT	1
23	140283	NUT, M5X.8 NYLOCK	2
24	140011	WASHER, 3/16 FLAT	4
25	130781	●BREAKER, CIRCUIT 80 AMP	1
26	606105	DECAL, DO NOT SPRAY	1
27	608379	CHASSIS, GREEN	1
28	600385	SCREW, M6X20MM	4
29	140016	WASHER, 1/4 LOCK	4
30	140000	WASHER, 1/4 FLAT	4
31	1001553	BUSHING, 1/4IDX3/8OD	4
32	1001518	ASM., CABLE, TANK 20.5"	1
33	19676	ASM., CABLE, DUST COVER 13"	1
34	578187000	SCREW, M6X1.0X12	2
35	140016	WASHER, 1/4 LOCK	2
36	604276	BRACKET, MOTOR STOP	1
37	140524	NUT, 1/4 X 20 KEP	1
38	606684	STOP, MOTOR	1
39	100121	GASKET, ELBOW 1/4"	1
40	602721	ELBOW, DEFLECTOR RM-NAT	1
41	140011	WASHER, 3/16 FLAT	4
42	069760103	SCREW, RNDPHL #10, 1.0	4
43	630450	WHEEL, RUBBER DIA 76 X 23 WD	4
44	140027	WASHER, 5/16 FLAT	4

REF	PART #	DESCRIPTION	QTY.
45	603154	SCREW, M8X1.25X40	4
46	130284	PLUG, HOLE 1" DIA	1
47	140027	WASHER, 5/16 FLAT	4
48	140015	WASHER, 5/16 SPLITLOCK	4
49	140275	SCREW, M8X1.25X16 HXHDCP	4
50	103001	CASTER, SWIVEL 3"	1
51	578769	DECAL, MOVING PARTS	2
52	900210	●BAG, CLOTH	1
	611781	●BAG, PAPER FILTER PK=10	1
53	140829	SCREW, 6-32X1 PANPHL	2
54	140019	WASHER, 36 EXT	2
55	604288	ASM., CABLE CHARGE PLUG	1
56	603331	SPACER, CHARGER PLUG	1
57	604270	BRACKET, CHARGER PLUG	1
58	140539	NUT, 6-32 KEP	2
59	579211	NUT, M3 HEXLOCK (PLUS MODEL)	2
60	601127000	WASHER, FLAT (PLUS MODEL)	1
61	140016	WASHER, 1/4 LOCK	2
62	578187000	SCREW, M6X1.0X12 PANPHL	2
63	600437	●SWITCH, ROLLER 15A (PLUS MODEL)	1
64	601359	PLATE, SWITCH BACKING (PLUS MODEL)	1
65	578403000	SCREW, M3X20 PANPHL (PLUS MODEL)	2
66	608459	DECAL, SPEEDGLEAM	2
	608383	DECAL, SPEEDGLEAM PLUS	2
67	612853	HARNESS, WIRE MAIN (PLUS MODEL)	1
	612887	HARNESS, WIRE MAIN DRIVE (STANDARD MODEL)	1
68	604304	DECAL, BATTERY DIAGRAM	1
69	140932	LATCH, HOOD RUBBER	3
70	200070340	SCREW, M4X.7X8 PANPHL	12
71	140023	WASHER, #8 INT	12
72	1001493	SUPPORT	1
73	611418	BUSHING, 5/16ID X 7/16OD X .14	1
74	140027	WASHER, 5/16 FLAT	1
75	140015	WASHER, 5/16 SPLITLOCK	1
76	140275	SCREW, M8X1.25X16 HXHDCP	1
77	140275	SCREW, M8X1.25X16 HXHDCP	4
78	140015	WASHER, 5/16 SPLITLOCK	4
79	140027	WASHER, 5/16 FLAT	4
80	230661	PLATE, LOCK CONTROL HOUSING	2
81	130041	WIRE TIE	1

● RECOMMENDED STOCK ITEMS

PARTS LIST

DUST BAG AND BATTERY COVER GROUP

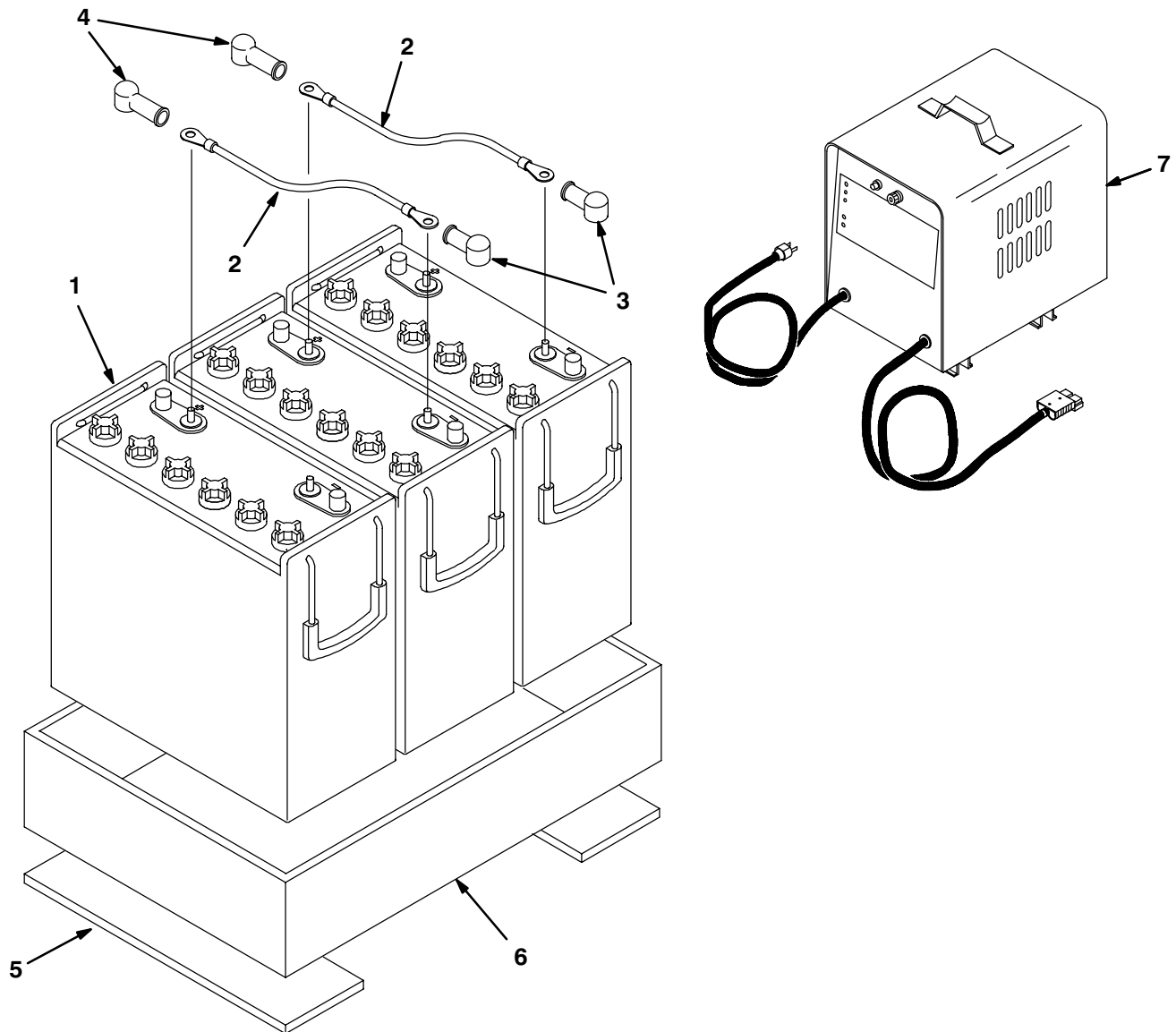


REF	PART #	DESCRIPTION	QTY.
1	612871	COVER, DUST BAG	1
2	608184	DECAL, NOBLES LOGO	1
3	604297	DECAL, RECESS BLACK	1
4	140932	●LATCH, HOOD RUBBER	3
5	200070340	SCREW, M4X.7X8 PANPHL	12
6	140023	WASHER, #8 INT	12
7	1000413	HINGE, DUST COVER	1
8	578187000	SCREW, M6X1.0X12	8
9	140016	WASHER, 1/4 LOCK	8

REF	PART #	DESCRIPTION	QTY.
10	140000	WASHER, 1/4 FLAT	8
11	612872	COVER, BATTERY, GREEN	1
12	1000554	GRILL, BATTERY COVER	1
13	140825	SCREW, #6X1/2 SHTMTL	2
14	140000	WASHER, 1/4 FLAT	9
15	140016	WASHER, 1/4 LOCK	9
16	578187000	SCREW, M6X1.0X12	9
17	603268	HINGE, BATTERY COVER	1

● RECOMMENDED STOCK ITEMS

BATTERY AND CHARGER GROUP



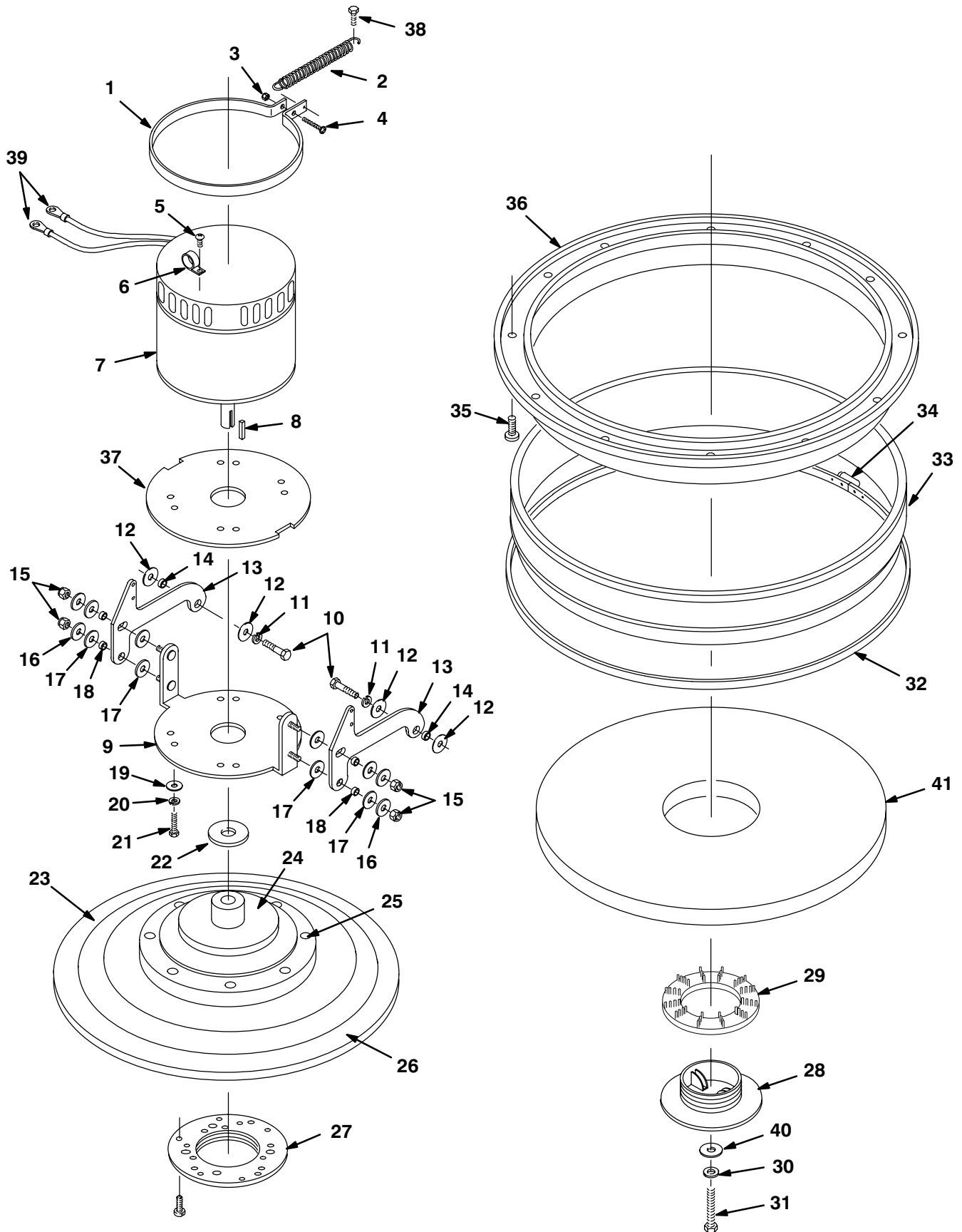
REF	PART #	DESCRIPTION	QTY.
1	600394	BATTERY, 12V 215A (OPTIONAL)	3
2	611116000	●CABLE, BATTERY #6 BLACKX15"	2
3	611221	●BOOT, BATTERY, BLACK	3
4	611222	●BOOT, BATTERY, RED	3

● RECOMMENDED STOCK ITEMS

REF	PART #	DESCRIPTION	QTY.
5	611022	GASKET, BATTERY TRAY	2
6	604298	TRAY, BATTERY	1
7	469760868	CHARGER, 36DC 25 AMP (OPTIONAL)	1

PARTS LIST

PAD DRIVER GROUP



PAD DRIVER GROUP

REF	PART #	DESCRIPTION	QTY.
1	604278	BRACKET, MOTOR SPRING	1
2	604333	SPRING, EXT 1/2X4X.063	1
3	140284	NUT, M6X1.0 NYLOCK	1
4	630431	SCREW, M6X1.0X40 HXHDCP	1
5	140890	SCREW, 10-24X1/2 TRSPHL	1
6	140323	CLAMP, NYLON 1/2" ID	1
∇ 7	603398	MOTOR, 36VDC 2000 RPM 3HP	1
	621478	●BRUSH, CARBON	4
▲ 8	140628	KEY, MOTOR 3/16X1	1
9	600198	BRACKET, MOTOR	1
10	140352	SCREW, M12X1.75X25 HXHDSS	2
11	140024	WASHER, 1/2" LOCK	2
12	140045	WASHER, FLAT .510X1.25X.06	4
13	603273	LIFT ARM MOTOR	2
14	140139	SLEEVE, .625ODX.5B	2
15	600200	NUT, 3/8-16 JAM NYLOCK	4
16	140028	WASHER, 3/8 FLAT	4
17	630447	WASHER, NYLON	8
18	600191	SLEEVE, .50DX.375B	4
19	140028	WASHER, 3/8 FLAT	4
20	140017	WASHER, 3/8 SPLIT LOCK	4
21	140201	SCREW, 3/8-16X3/4 HXHDCP	4

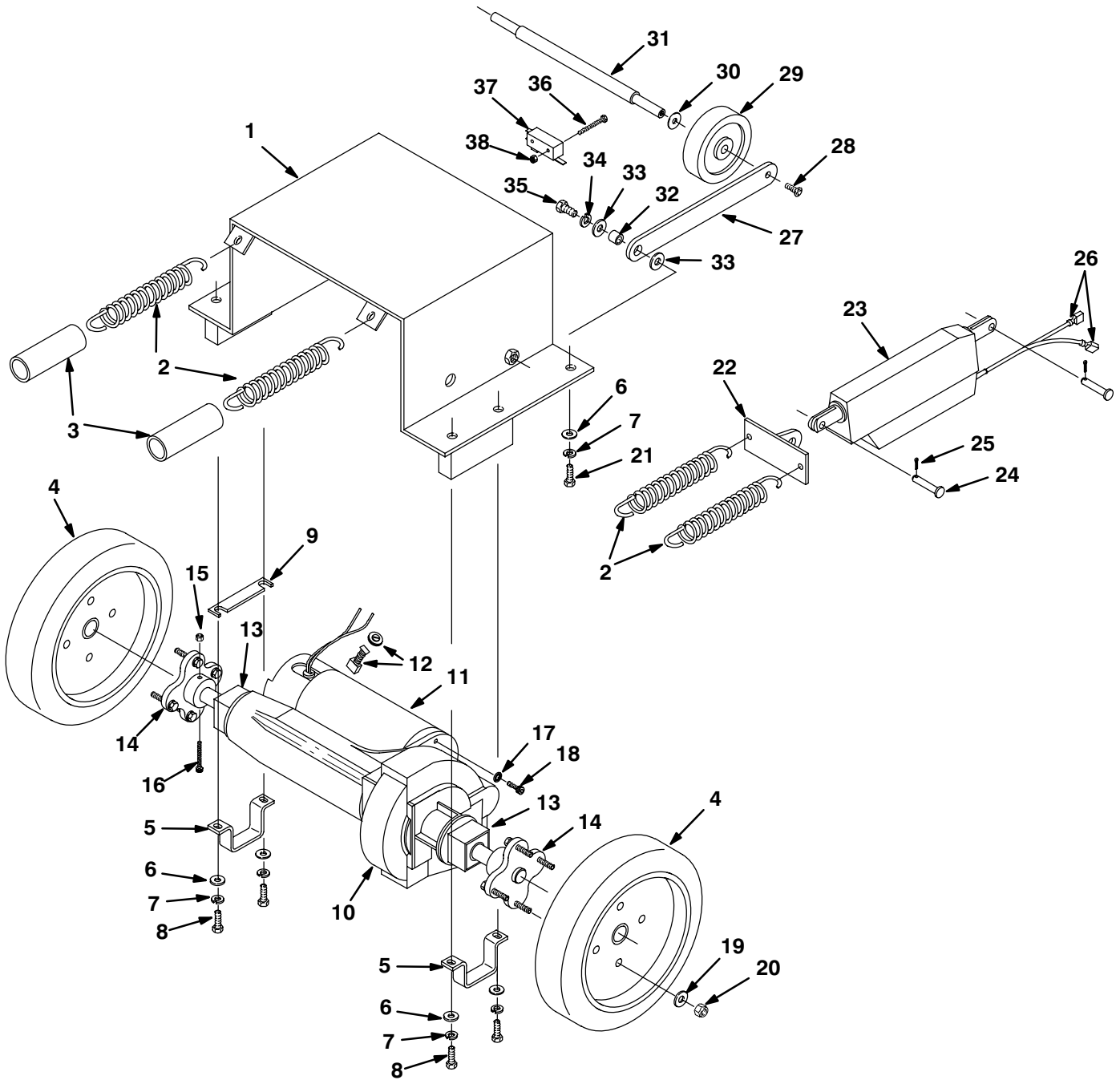
REF	PART #	DESCRIPTION	QTY.
22	069760023	WASHER, FLAT .77X1.26X.03	1
∇ 23	605348	ASM., DRIVER PAD	1
▲ 24	27900	HUB, PAD DRIVER	1
▲ 25	190177	SCREW & CAPS (PACK OF 8)	1
▲ 26	27071	DISC, FLEXIBLE	1
▲∇ 27	25707	●ASM., CENTERLOCK	1
▲ 28	100101	RING, PAD RETAINER	1
29	572084000	●WASHER, PAD DRIVER LOCK	1
30	41186	WASHER, 5/16 BELLEVILLE	1
31	140203	SCREW, 5/16-24X1-1/4 HXHDCP	1
32	605103	●STRAP, 3/8X74 IN	1
33	603744	●SKIRT, DUST CONTROL	1
34	230913	SCREW CLAMP, BANDING	1
35	140340	SCREW, #10X5/8 PANPHL	6
36	230888	RING, DUST SHIELD	1
37	600195	SEAL, MOTOR BASE	1
38	600385	SCREW, M6X1.0X20 PANPHL	1
39	130162	TERMINAL, RING 1/4 8GA RED	2
40	25732	WASHER, FLAT 1.25X.359X.093	1
41	611788	●PAD, BURNISH 20" HAIRBLEND 1 CARTON = 5 PADS	1

∇ ASSEMBLY

▲ INCLUDED IN ASSEMBLY

● RECOMMENDED STOCK ITEMS

DRIVE GROUP (Drive Model)



DRIVE GROUP (Drive Model)

REF	PART #	DESCRIPTION	QTY.
1	603277	FRAME WELDMENT	1
2	140431	SPRING, EXT 1X.095X5	4
3	611023	SLEEVE, SPRING	2
4	640013	WHEEL, 8"DIA, 2"WIDE NEOPRENE	2
5	602881	BRACKET, TRANSAXLE MTG	2
6	140028	WASHER, FLAT 3/8	6
7	140333	WASHER, M10 SPLITLOCK	6
8	200031554	SCREW, HXHD M10X65	4
9	604293	SPACER, 3/4X4X1/16	1
▽ 10	612845	TRANSAXLE, 36V 116RPM	1
▲	612873	BODY, TRANSAXLE ONLY	1
▲	612874	COUPLING, NYLON TRANSAXLE	1
▲	612875	KEY, TRANSAXLE	1
▲ 11	612878	MOTOR, TRANSAXLE	1
▲ 12	612883	●BRUSH, CARBON KIT BRUSHES W/CAPS (2/PK)	1
▲ 13	612880	SLEEVE, TRANSAXLE	2
▲ 14	612879	HUB, WHEEL TRANSAXLE	2
▲ 15	140552	NUT, 10-24 NYLOCK	2
▲ 16	31249	BOLT, SHOULDER .25X1.25	2
▲ 17	32982	WASHER, INT. LOCK	2

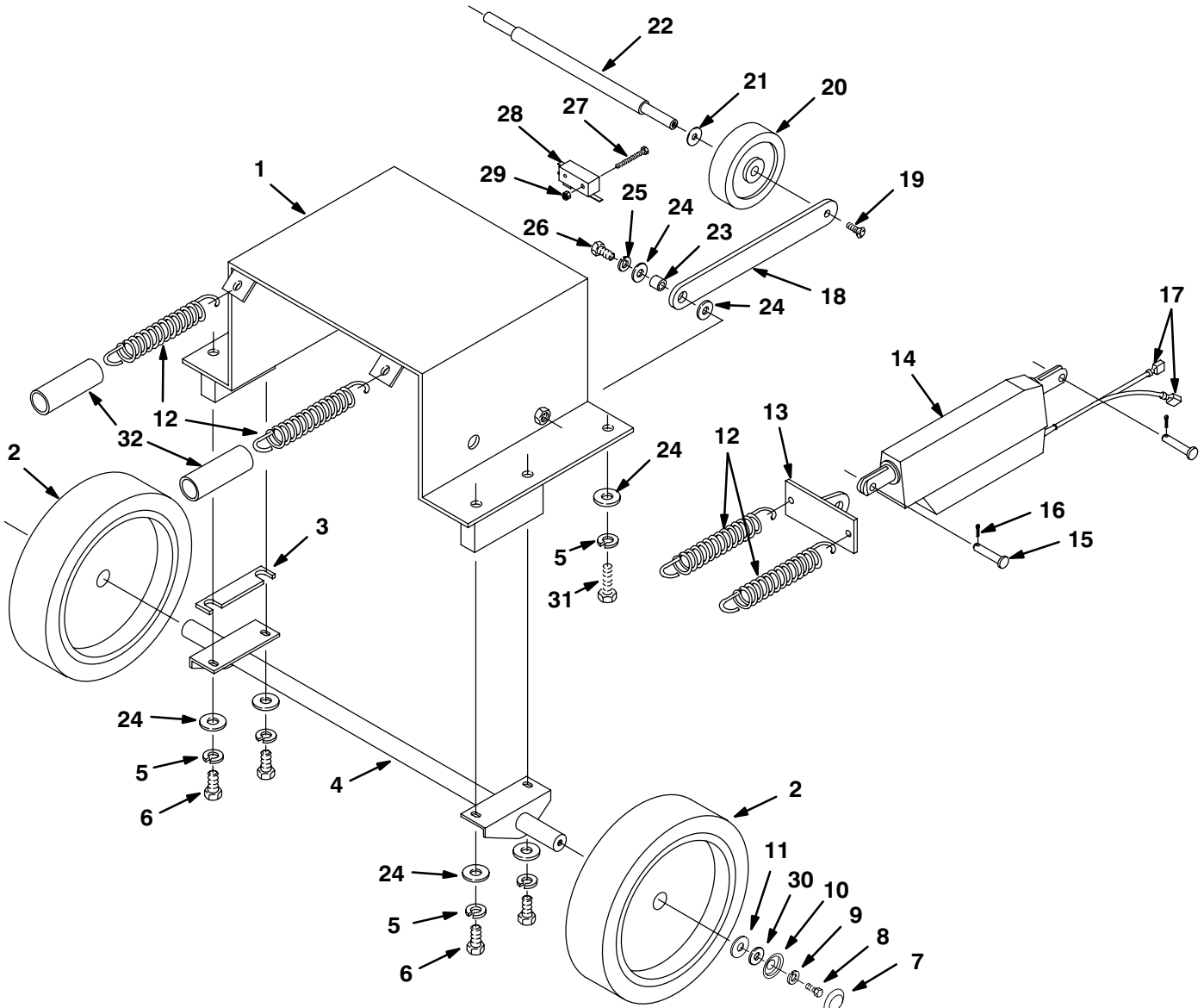
REF	PART #	DESCRIPTION	QTY.
▲ 18	01681	SCREW, SCKT 1/4-20X3/4	2
19	140000	WASHER, 1/4 FLAT	8
20	630268	NUT, 1/4-28 HXLOCK	8
21	140277	SCREW, M10X1.50X20 HXHDCP	2
22	609450	BRACKET, SPRING	1
23	600952	ACTUATOR	1
24	604076	PIN, CLEVIS 10X28MM	2
25	578421	PIN, COTTER	2
26	130133	TERMINAL, MALE RED	2
27	603267	PLATE, PIVOT ARM	2
28	069762098	SCREW, M6X1.0X16 FLTPHL	2
29	103066	WHEEL, 4"DIA X1.5X.50 GRAY	2
30	140045	WASHER, .510X1.25X.06 FLAT	2
31	603274	AXLE, REAR WHEELS	1
32	140144	BUSHING, .375X.500	2
33	140028	WASHER, FLAT 3/8	4
34	140017	WASHER, 3/8 SPLITLOCK	2
35	140202	SCREW, 3/8-16X1 HXHDCP	2
36	140829	SCREW, 6-32X1 PANPHL	2
37	069764009	●SWITCH, SNAP 25A LEVER	1
38	140539	NUT, 6-32 KEP	2

▽ ASSEMBLY

▲ INCLUDED IN ASSEMBLY

● RECOMMENDED STOCK ITEMS

WHEEL GROUP (Push Model)



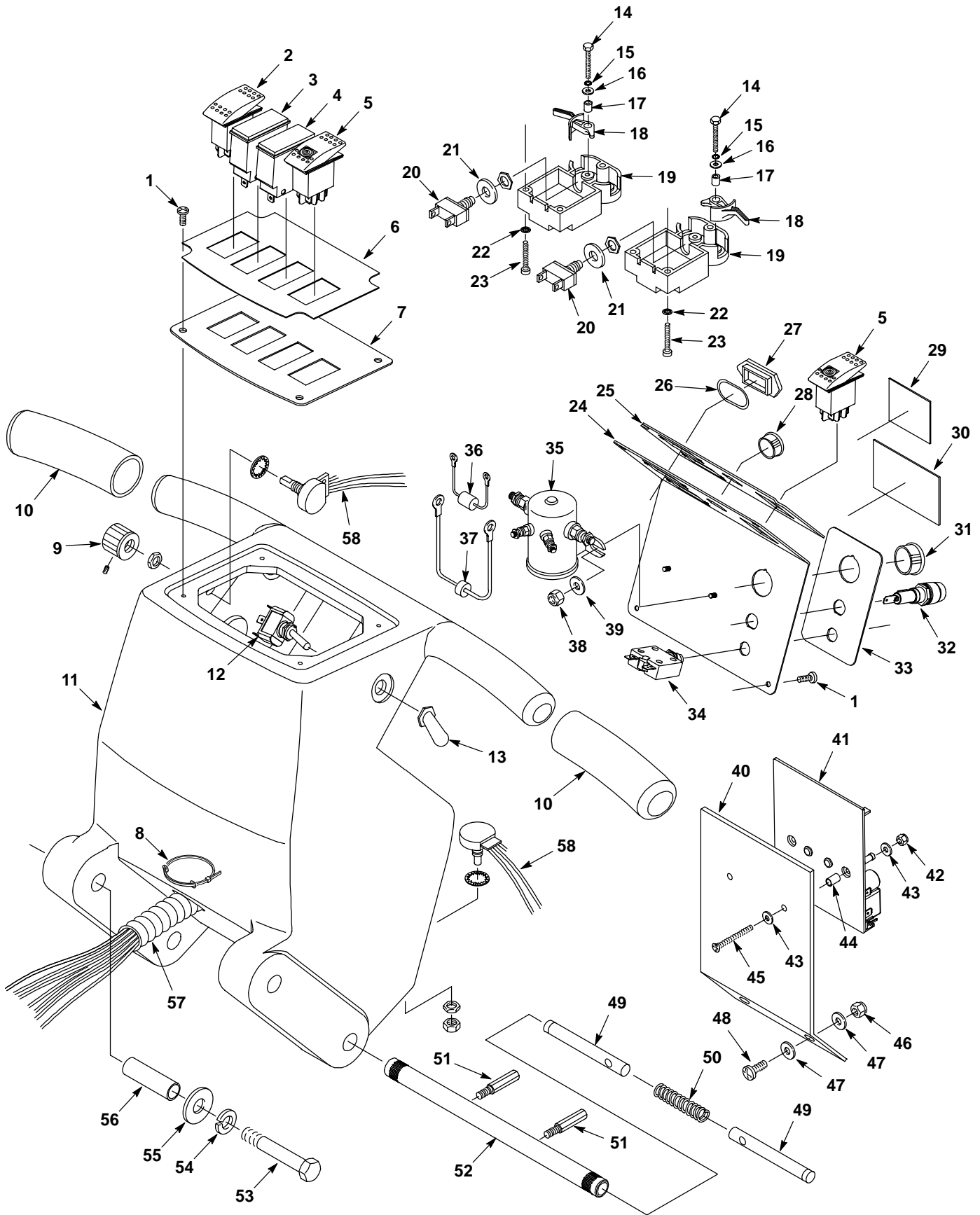
WHEEL GROUP (Push Model)

REF	PART #	DESCRIPTION	QTY.
1	603277	FRAME WELDMENT	1
2	605970	WHEEL, 8X1-5/8	2
	103071	BEARING, WHEEL REPLACEMENT	4
3	604293	SPACER, 3/4X4X1/16	1
4	603275	AXLE WELDMENT	1
5	140333	WASHER, M10 SPLITLOCK	6
6	200031554	SCREW, HXHD M10X65	4
7	150210	PLUG, CAP BLACK	2
8	140275	SCREW, M8X1.25X16 HXHDCP	2
9	140015	WASHER, 5/16 SPLITLOCK	2
10	140048	WASHER, 5/16 (FOR #150210)	2
11	140047	WASHER, 1.24X.754X.062	2
12	140431	SPRING, EXT 1.0X5	4
13	609450	BRACKET, SPRING	1
14	600952	ACTUATOR	1
15	604076	PIN, CLEVIS 10X28MM	2
16	578421	PIN, COTTER	2

REF	PART #	DESCRIPTION	QTY.
17	130133	TERMINAL, MALE RED	2
18	603267	PLATE, PIVOT ARM	2
19	069762098	SCREW, M6X1.0X16 FLTPHL	2
20	103066	WHEEL, 4" DIA X 1.5 X .50 GRAY	2
21	140045	WASHER, .510X1.25X.06 FLAT	2
22	603274	AXLE, REAR WHEELS	1
23	140144	BUSHING, .375X.500	2
24	140028	WASHER, 3/8 FLAT	10
25	140017	WASHER, 3/8 SPLITLOCK	2
26	140202	SCREW, 3/8-16X1 HXHDCP	2
27	140829	SCREW, 6-32X1 PANPHL	2
28	069764009	●SWITCH, SNAP 25A LEVER	1
29	140539	NUT, 6-32 KEP	2
30	140055	WASHER, FLAT .343X1.25X.057	2
31	140277	SCREW, M10X1.50X20	2
32	611023	SLEEVE, SPRING	2

● RECOMMENDED STOCK ITEMS

CONTROL CONSOLE GROUP (Drive Model)



CONTROL CONSOLE GROUP (Drive Model)

REF	PART #	DESCRIPTION	QTY.
1	360973	SCREW, PAN	8
2	603399	●SWITCH, DPDT MOM ON/OFF	1
3	611926	METER, PAD PRESSURE	1
4	611925	METER, BATTERY VOLTAGE	1
5	601107	●SWITCH, LIGHTED ROCKER	2
6	612847	DECAL, SWITCH PANEL, DRIVE	1
7	1000217	PANEL, SWITCH UPPER	1
8	130041	WIRE TIE	1
9	606550	KNOB, SPEED CONTROL	1
10	1000395	GRIP, HANDLE	2
11	612870	HOUSING, CONTROL, GREEN	1
12	601108	●SWITCH, TOGGLE	1
13	130753	BOOT, SWITCH	1
∇	611470	●ASM., TRIGGER CONSOLE LT	1
∇	611471	●ASM., TRIGGER CONSOLE RT	1
▲ 14	069764190	SCREW, M3 X .5 X 16	2
▲ 15	200662012	WASHER, LOCK	2
▲ 16	578186000	WASHER, FLAT, 4.3 X 12 X 1.0	2
▲ 17	578082000	SPACER, TRIGGER	2
▲ 18	578002000	ARM, TRIGGER	2
▲ 19	601429	CONSOLE, TRIGGER	2
▲ 20	130712	●SWITCH, MOMENTARY PULSE	2
▲ 21	578430	WASHER, SPRING, DISC.	2
22	140023	WASHER, INT #8	6
23	578193000	SCREW, M4X.7X25 PAN PHL	6
24	1000571	PANEL, SWITCH LOWER	1
25	612849	DECAL, METER PANEL	1
26	605823	O-RING, .926IDX.996	2
27	609969	PLUG, HOUR METER	2
28	130175	PLUG, DOME .75OD BLK	1
29	578729	DECAL, READ MANUAL	1

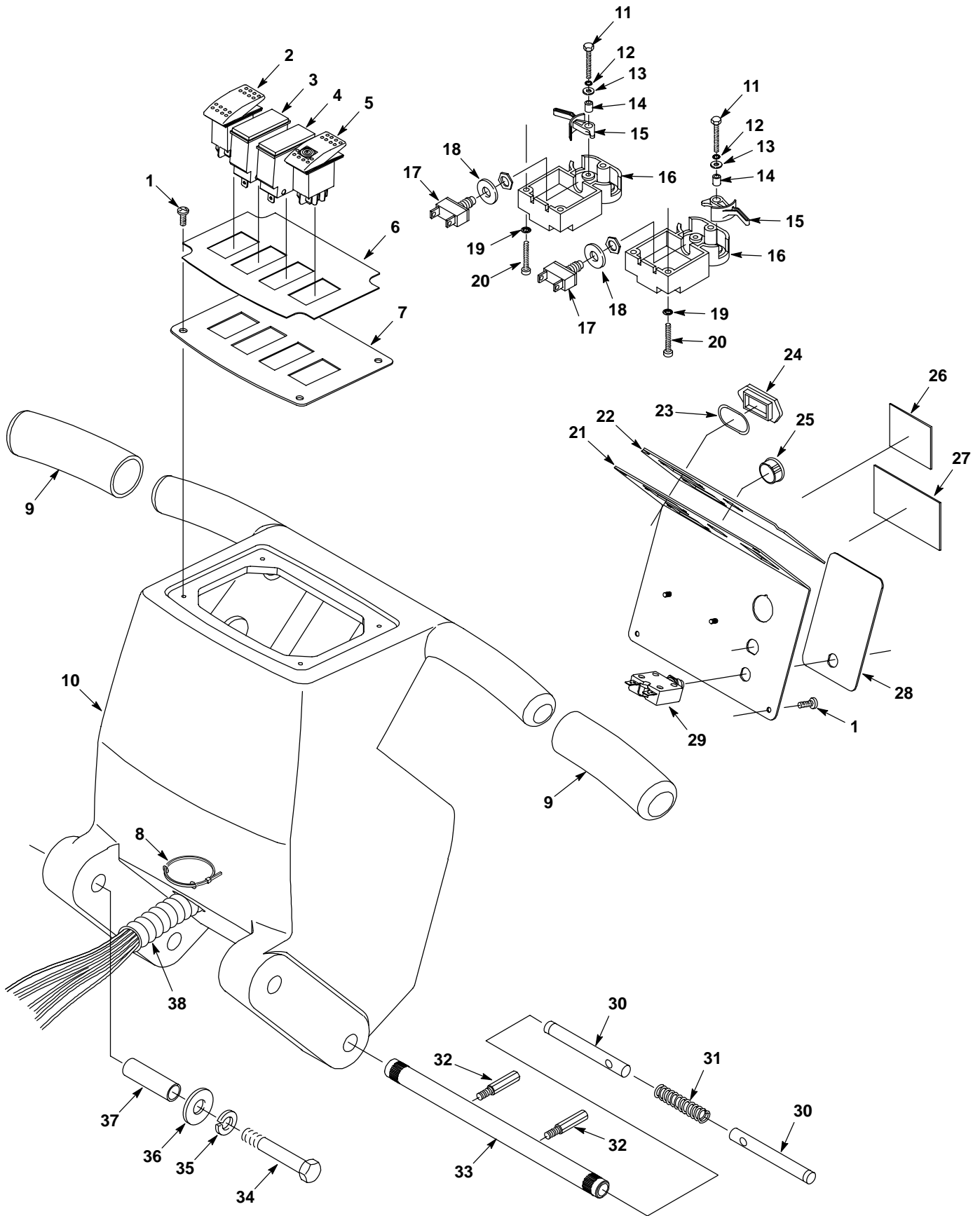
REF	PART #	DESCRIPTION	QTY.
30	120649	DECAL WARNING BATT.	1
31	130161	PLUG, DOME .875OD BLK	1
32	578418	●FUSE HOLDER, BAYONETTE	1
	601091	●FUSE, 2AMP, 3AG FAST BLOW	1
33	612851	DECAL, CIRCUIT BREAKER	1
34	603487	●CIRCUIT BREAKER, 15.0A	1
35	130733	●SOLENIOD, 36V	1
36	606404	ASM., DIODE W/RING TERMINALS	1
37	604486	ASM., DIODE SPLICED	1
38	140284	NUT, M6X1.0 NYLOCK	2
39	140000	WASHER, 1/4 FLAT	2
40	1000271	BRACKET, CIRCUIT BOARD MNT	1
41	1000821	●CONTROLLER, PROPEL, 36VDC	1
42	200633014	NUT, M4X.7 HEX	2
43	200301014	WASHER, M4 .3X10.1X1 FLAT	4
44	610943	SPACER	2
45	578193000	SCREW, M4X.7X25MM PAN PHL	2
46	140284	NUT, M6X1.0 NYLOCK	2
47	140000	WASHER, FLAT 1/4	4
48	600385	SCREW, M6X1.0X20	2
49	230710	PIN, HANDLE LOCK	2
50	140415	SPRING, LOCK PIN	1
51	230649	PIN, HANDLE ADJUSTMENT	2
52	230715	TUBE, HANDLE ADJUSTMENT	1
53	140351	SCREW, M12X70MM	2
54	140024	WASHER, LOCK 1/2	2
55	140045	WASHER, FLAT 1/2	2
56	140155	BUSHING	2
57	612853	●HARNESS, WIRE MAIN	1
58	612854	●HARNESS, POTENTIOMETER	1

∇ ASSEMBLY

▲ INCLUDED IN ASSEMBLY

● RECOMMENDED STOCK ITEMS

CONTROL CONSOLE GROUP (Push Model)



CONTROL CONSOLE GROUP (Push Model)

REF	PART #	DESCRIPTION	QTY.
1	360973	SCREW, PAN	8
2	603399	●SWITCH, DPDT MOM ON/OFF	1
3	611926	METER, PAD PRESSURE	1
4	611925	METER, BATTERY VOLTAGE	1
5	601107	●SWITCH, LIGHTED ROCKER	1
6	612848	DECAL, SWITCH PANEL, PUSH	1
7	1000217	PANEL, SWITCH UPPER	1
8	130041	WIRE TIE	1
9	1000395	GRIP, HANDLE	2
10	612978	HOUSING, CONTROL, GREEN	1
▽	611470	●ASM., TRIGGER CONSOLE LT	1
▽	611471	●ASM., TRIGGER CONSOLE RT	1
▲ 11	069764190	SCREW, M3 X .5 X 16	2
▲ 12	200662012	WASHER, LOCK	2
▲ 13	578186000	WASHER, FLAT, 4.3 X 12 X 1.0	2
▲ 14	578082000	SPACER, TRIGGER	2
▲ 15	578002000	ARM, TRIGGER	2
▲ 16	601429	CONSOLE, TRIGGER	2
▲ 17	130712	●SWITCH, MOMENTARY PULSE	2
▲ 18	578430	WASHER, SPRING, DISC.	2

REF	PART #	DESCRIPTION	QTY.
19	140023	WASHER, INT #8	6
20	578193000	SCREW, M4X.7X25 PAN PHL	6
21	1000571	PANEL, SWITCH LOWER	1
22	612850	DECAL, METER PANEL	1
23	605823	O-RING, .926IDX.996	2
24	609969	PLUG, HOUR METER	2
25	130175	PLUG, DOME .75OD BLK	1
26	578729	DECAL, READ MANUAL	1
27	120649	DECAL WARNING BATT.	1
28	612852	DECAL, CIRCUIT BREAKER	1
29	603487	●CIRCUIT BREAKER, 15.0A	1
30	230710	PIN, HANDLE LOCK	2
31	140415	SPRING, LOCK PIN	1
32	230649	PIN, HANDLE ADJUSTMENT	2
33	230715	TUBE, HANDLE ADJUSTMENT	1
34	140351	SCREW, M12X70MM	2
35	140024	WASHER, LOCK 1/2	2
36	140045	WASHER, FLAT 1/2	2
37	140155	BUSHING	2
38	612887	●HARNESS, WIRE MAIN	1

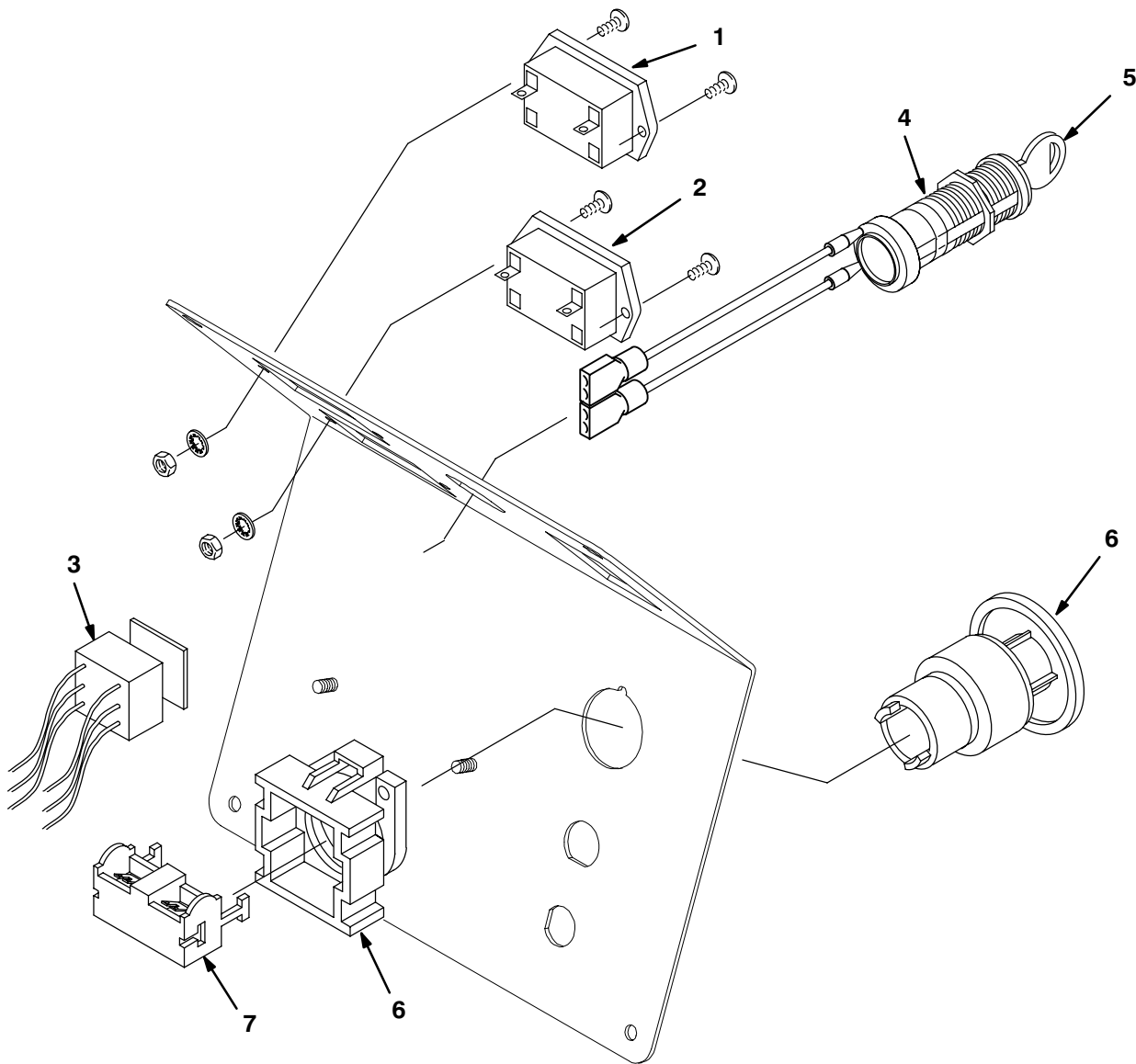
▽ ASSEMBLY

▲ INCLUDED IN ASSEMBLY

● RECOMMENDED STOCK ITEMS

OPTIONS

HOUR METER, LOW VOLTAGE SHUT-OFF, EMERGENCY STOP AND KEY SWITCH KITS



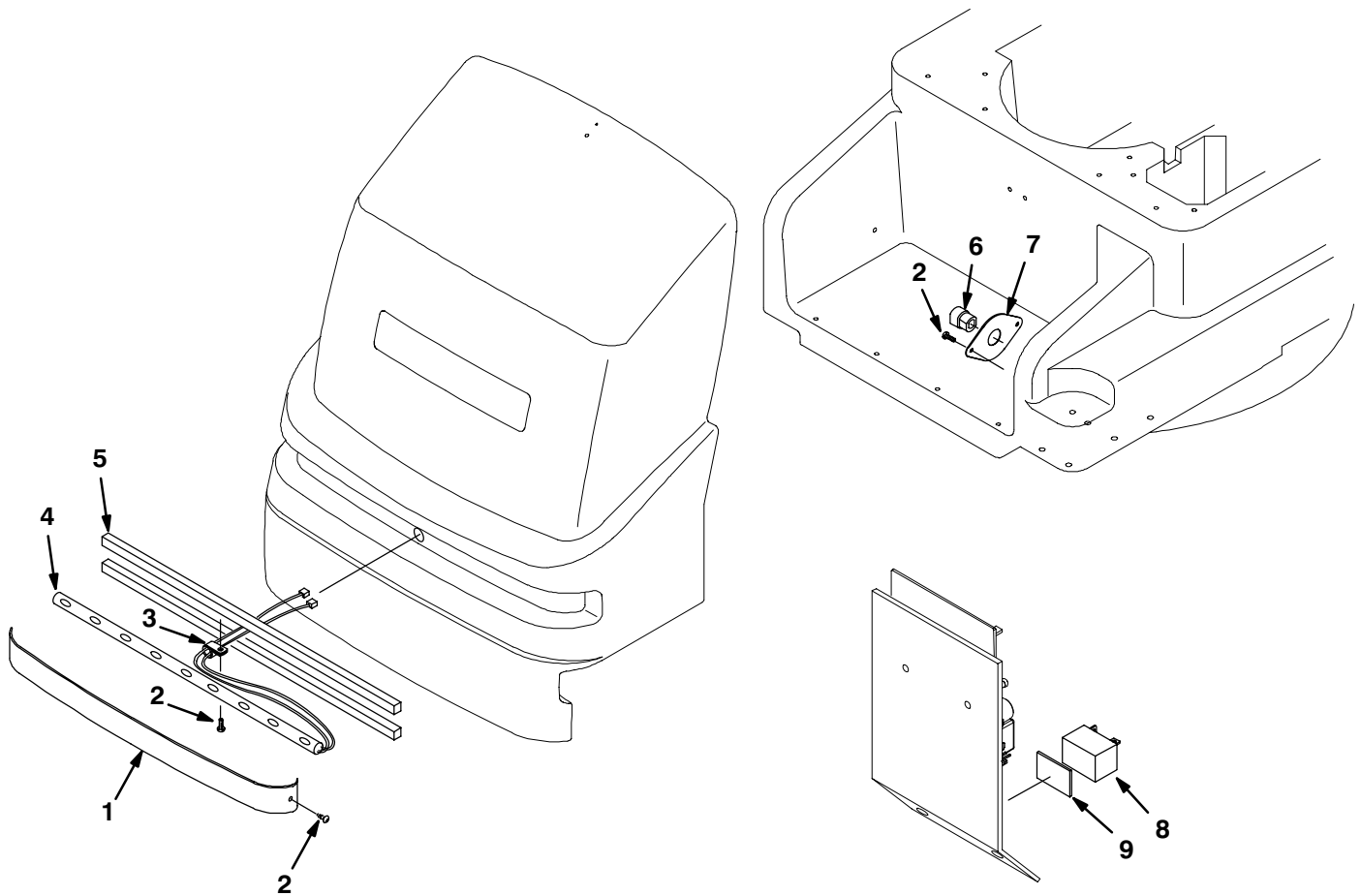
REF	PART #	DESCRIPTION	QTY.
▽	612939	KIT, HOUR METER	1
▲ 1	630143	HOUR METER & HARDWARE	1
▽	612941	KIT, LOW VOLTAGE SHUT-OFF	1
▲ 2	600832	GAUGE, BATTERY	1
▲ 3	604641	ASM., RELAY LOW VOLTAGE KIT	1
▲	603078	ASM., WIRE #18X9" GREEN	1
▲	603080	ASM., WIRE #18X8" BLACK	1
▲	603081	ASM., WIRE #18X12" RED	1
▲	130040	WIRE TIE, NYLON	1

REF	PART #	DESCRIPTION	QTY.
▽	612973	KIT, KEY SWITCH	1
▲ 4	607475	KEY SWITCH	1
▲ 5	607821	KEY, REPLACEMENT	1
▽	612971	KIT, EMERGENCY STOP	1
▲ 6	630100	SWITCH, EMERGENCY STOP BUTTON	1
▲ 7	630097	SWITCH, CONTACT BLOCK	1
▲	602996	ASM, WIRE #16X5" RED 1/4FX1/4F	1
▲	602997	ASM, WIRE #16X5" RED 1/4MX1/4F	1

▽ ASSEMBLY

▲ INCLUDED IN ASSEMBLY

FLASHING LIGHT KIT



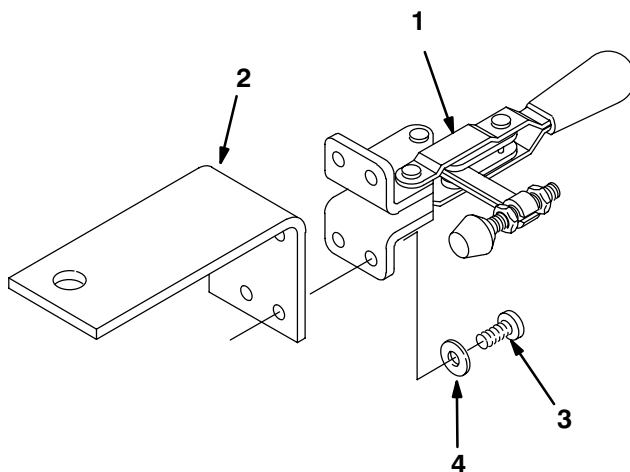
REF	PART #	DESCRIPTION	QTY.
▽	612975	KIT, FLASHING LIGHTS	1
▲ 1	1000650	SHIELD, LIGHT	1
▲ 2	140825	SCREW, #6X1/2 SHTMTL	5
▲ 3	140326	CLAMP, WIRE	1
▲ 4	603440	LIGHT, SAFETY	1

REF	PART #	DESCRIPTION	QTY.
▲ 5	606242	GASKET	1
▲ 6	607115	BUSHING, STRAIN RELIEF	1
▲ 7	1000547	BRACKET, HOLE COVER	1
▲ 8	603839	FLASHER, 36VDC	1
▲ 9	606243	TAPE, ACRYLIC FOAM	1

▽ ASSEMBLY

▲ INCLUDED IN ASSEMBLY

PARKING BRAKE KIT



REF	PART #	DESCRIPTION	QTY.
▽	604502	KIT, PARKING BRAKE	1
▲ 1	600634	CLAMP, PARKING BRAKE	1
▲ 2	603122	BRACKET, PARKING BRAKE	1

REF	PART #	DESCRIPTION	QTY.
▲ 3	140887	SCREW, #10-24X3/8	4
▲ 4	140018	WASHER, #10	4

▽ ASSEMBLY

▲ INCLUDED IN ASSEMBLY