



Typhoon™ 16B

Wet/Dry Battery Vacuum

Model No.:
608817
608818 - PAC

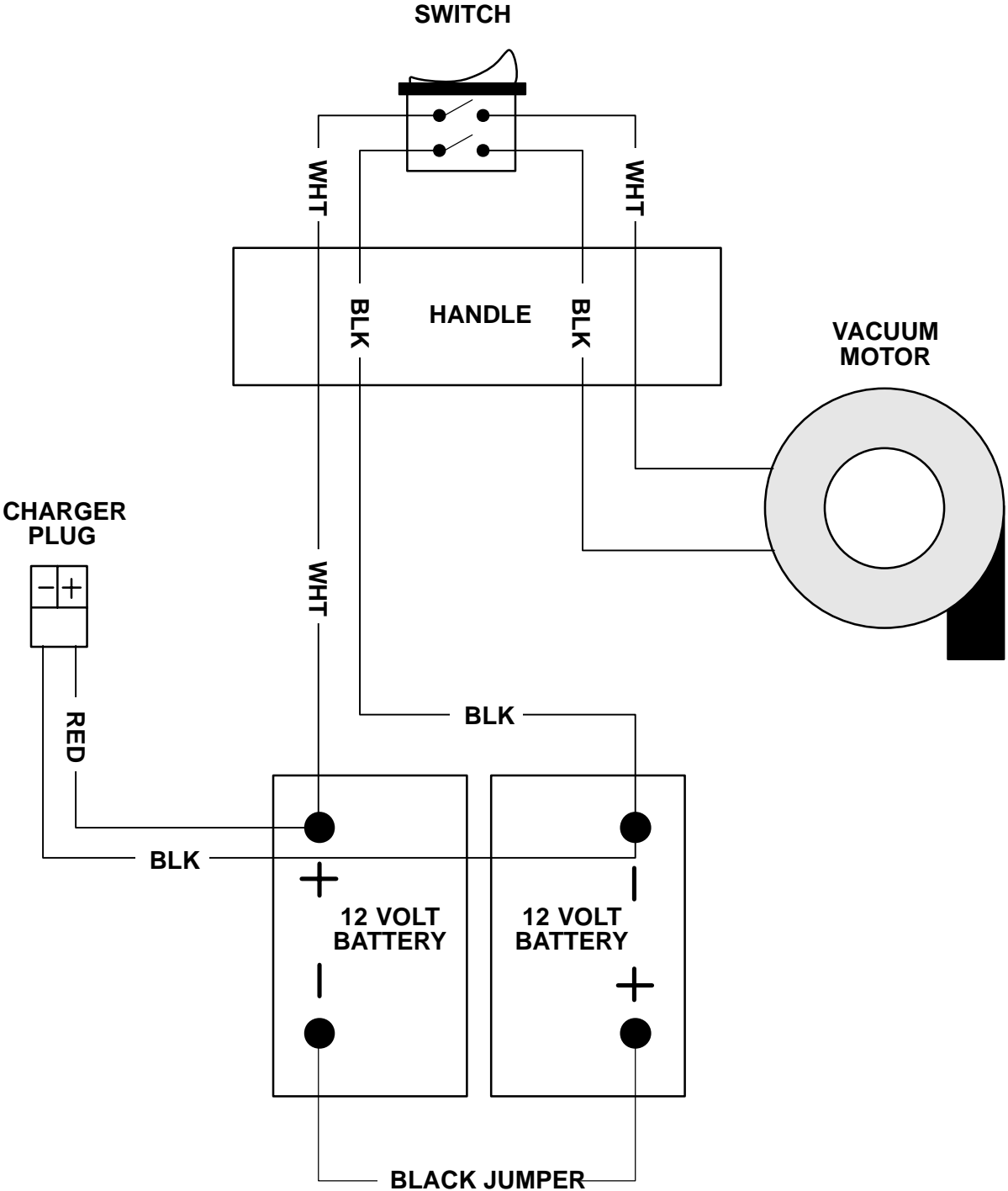
Operator and Parts Manual



NOBLES
12875 RANSOM STREET
HOLLAND MI 49424 U.S.A.

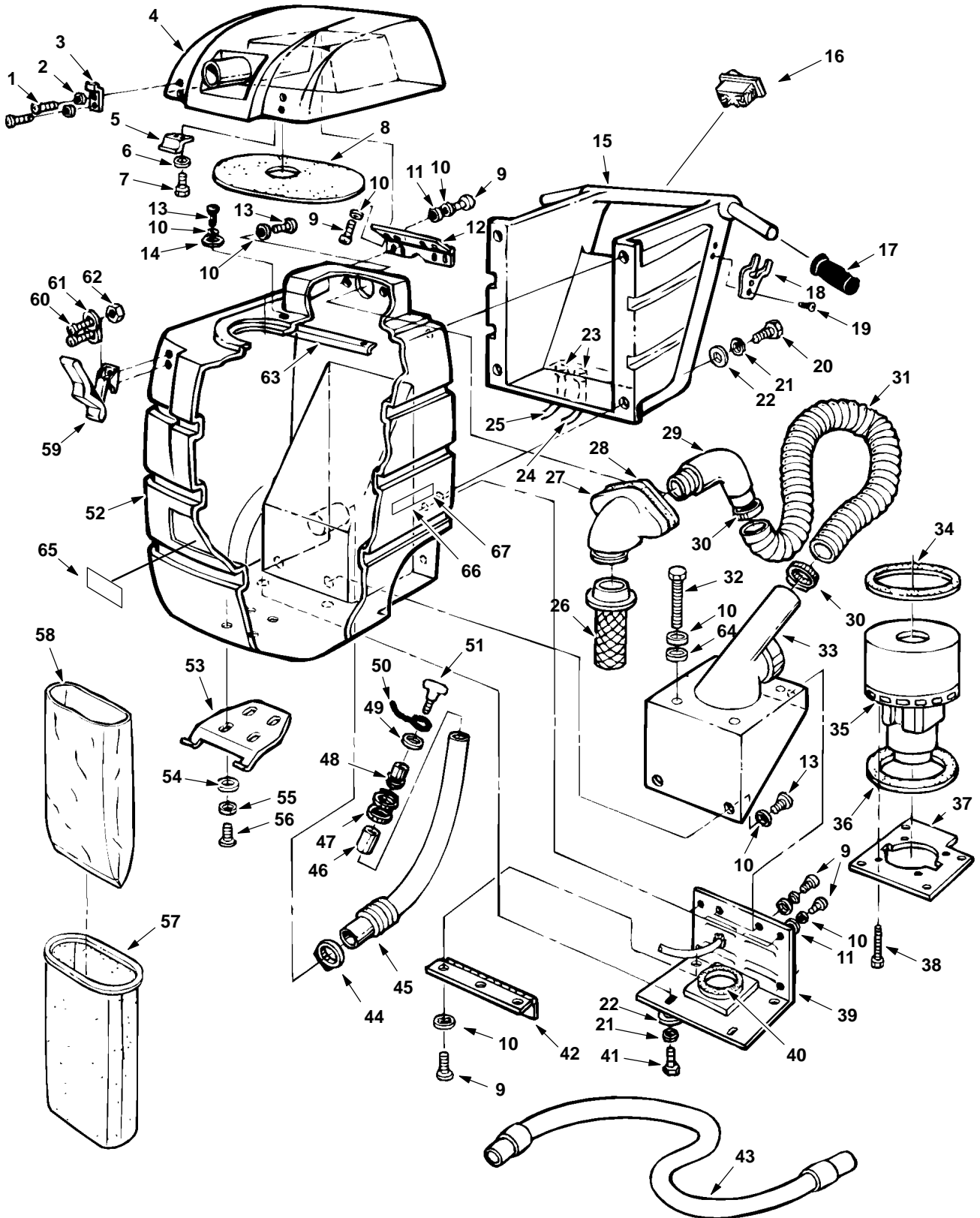
CUSTOMER SERVICE: 1-800-365-6625
FAX: 1-800-678-4240

608819
Rev. 00 (09-99)



PARTS LIST

UPPER HOUSING PARTS



UPPER HOUSING PARTS LIST

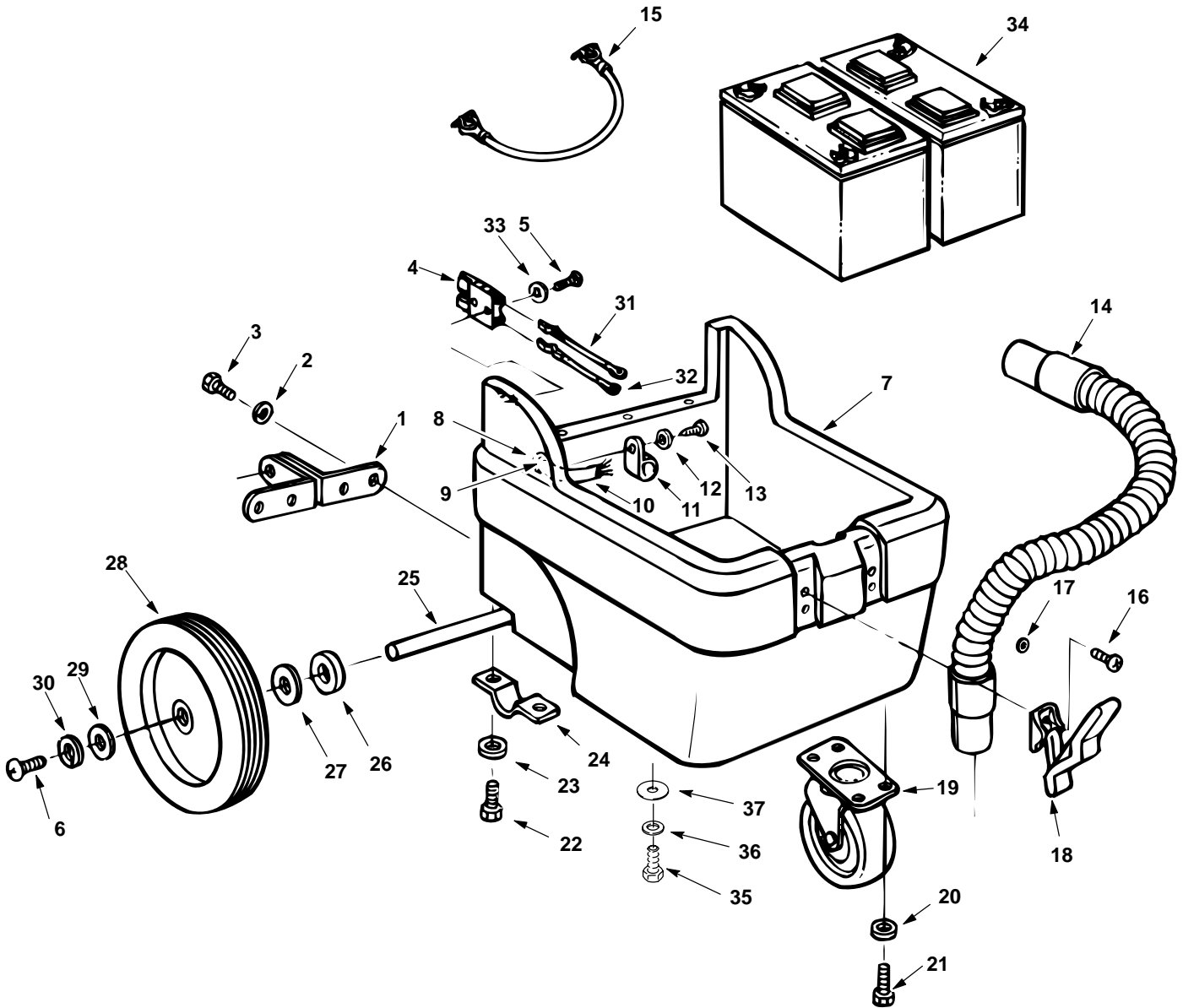
REF	PART #	DESCRIPTION	QTY.
1	140801	SCREW, 8-32X3/8	4
2	140023	WASHER, LOCK	4
3	140932	LATCH, RUBBER	2
4	608613	COVER, GREEN	1
5	230497	BRACKET	1
6	140031	WASHER, LOCK	2
7	140197	SCREW, 10-24X3/8	2
8	100097	GASKET	1
9	140885	SCREW, 1/4-20X1/2	20
10	578244000	WASHER, LOCK	25
11	140000	WASHER, FLAT	10
12	230318	HINGE	1
13	140824	SCREW, 1/4-20X5/8	6
14	140003	WASHER, FENDER	2
15	608461	HOUSING, HANDLE, GREEN	1
16	19417	SWITCH	1
17	200823	GRIP, HANDLE BK	2
18	230696.BK	BRACKET, DRAIN HOSE	1
19	140825	SCREW, #6X1/2	2
20	140231	SCREW, 3/8-16X1 1/2	2
21	140017	WASHER, LOCK	6
22	140028	WASHER, FLAT	6
23	130110	BUSHING, STRAIN RELIEF	2
24	130384	ASM. WIRE 14/2X26"	1
25	130385	ASM. WIRE 14/2X45"	1
26	180613	FLOAT, AUTO SHUT-OFF	1
27	100381	ELBOW, VAC TUBE	1
28	100096	GASKET	1
29	700435	ASM. PVC ELBOW	1
30	140308	CLAMP	2
31	160482	HOSE, VACUUM	1
32	140199	SCREW, 1/4-20X4 1/2	4
33	100380	MOUNT, VAC MOTOR	1
34	100038	GASKET	1
35	130397	MOTOR, VAC 24VDC	1
	190163	BRUSH, CARBON (2/PK)	2

REF	PART #	DESCRIPTION	QTY.
36	100143	GASKET	1
37	230522	BRACKET, VAC MOUNT	1
38	140340	SCREW, #10X5/8	4
39	230980.BK	PLATE, COVER MOTOR	1
40	100831	GASKET	1
41	140201	SCREW, 3/8-16X3/4	2
42	230951	HINGE	1
43	160481	HOSE, VACUUM, 3M	1
44	140307	CLAMP	1
▽	701170	ASM., DRAIN HOSE	1
▲45	160418	HOSE, DRAIN	1
▲46	140921	SLEEVE, DRAIN HOSE	1
▲47	140072	CLAMP	2
▲▽	701061	ASM., DRAIN PLUG	1
▲48	140955	PLUG, DRAIN HOSE	1
▲49	140056	WASHER, FENDER	1
▲50	230882	STRAP, RUBBER	1
▲51	230831	KNOB, DRAIN HOSE	1
52	608616	TANK, RECOVERY, GREEN	1
53	230949	PLATE, LATCH	1
54	140027	WASHER, FLAT	4
55	140015	WASHER, LOCK	4
56	140226	SCREW, 5/16-18X5/8	4
57	900105	BAG, CLOTH FILTER	1
58	900102	BAG, PAPER (PKG OF 10)	1
59	140932	LATCH, RUBBER	2
60	140287	SCREW, M4X.7X16MM	4
61	140011	WASHER, FLAT	4
62	140288	NUT, LOCK	4
63	230482.BK	BRACKET, SUPPORT	1
64	140003	WASHER, FENDER	4
65	608186	DECAL, NOBLES LOGO	1
66	608494	DECAL, "TYPHOON 16B"	2
N/S	120649	DECAL, WARNING	1

▽ Assembly

▲ Included in Assembly

LOWER HOUSING PARTS

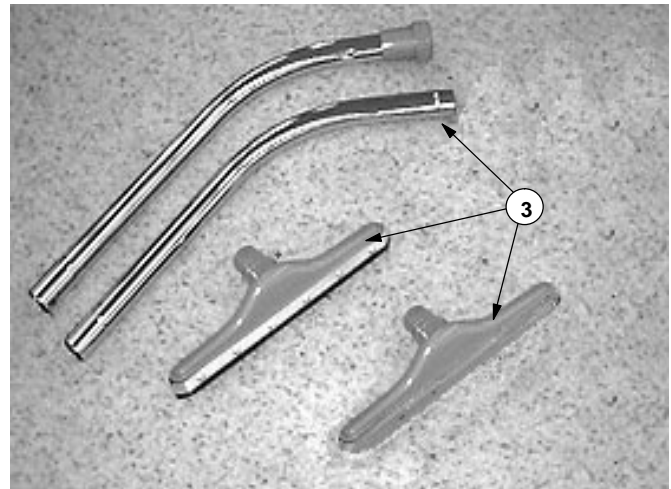
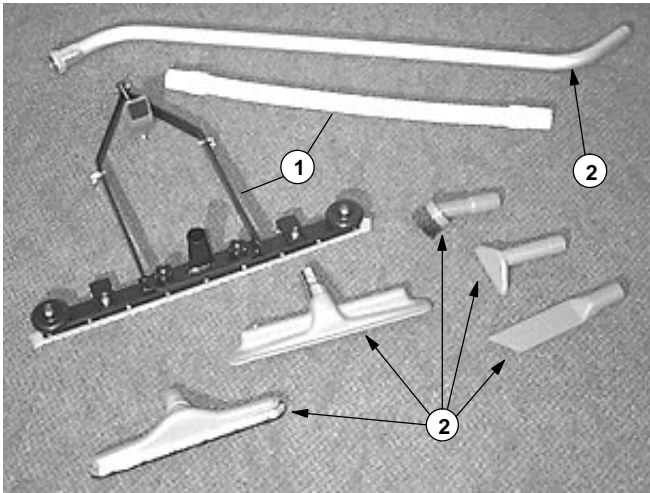


LOWER HOUSING PARTS LIST

REF	PART #	DESCRIPTION	QTY.
1	230950	BRACKET, SQUEEGEE MOUNT	2
2	140016	WASHER, LOCK	4
3	140553	SCREW, 1/4-20X1/2	4
4	27833	PLUG, CONNECTOR	1
5	140827	SCREW, 6-32X3/4	2
6	140885	SCREW, 1/4-20X1/2	2
7	608820	HOUSING, BASE, GREEN	1
8	130110	BUSHING, STAIN RELIEF	1
9	240220	GROMMET	1
10	130385	ASM. WIRE 14/2X45"	1
11	140304	CLAMP	1
12	140011	WASHER, FLAT	1
13	140825	SCREW, #6X1/2	1
14	160630	HOSE, VACUUM	1
15	130364	CABLE, BATTERY	1
16	140801	SCREW, 8-32X3/8	4
17	140023	WASHER, LOCK	4
18	140932	LATCH, RUBBER	2
19	103065	CASTER, SWIVEL 4"	2

REF	PART #	DESCRIPTION	QTY.
20	140015	WASHER, LOCK	4
21	140226	SCREW, 5/16-18X5/8	4
22	140553	SCREW, 1/4-20X1/2	4
23	140016	WASHER, LOCK	4
24	230746	BRACKET, AXLE	2
25	230953	AXLE	1
26	140063	WASHER, FLAT	2
27	140045	WASHER, FLAT	2
28	103009	WHEEL	2
29	140003	WASHER, FENDER	2
30	578244000	WASHER, LOCK	2
31	701163	ASM WIRE #14X17" RED 3/8" XAC	1
32	701164	ASM WIRE #14X22" BLK 5/16" XAC	1
33	140019	WASHER, EXTERNAL LOCK TOOTH	2
34	130869	BATTERY, 12V 130AH	2
35	140201	SCREW, 3/8-16X3/4	2
36	140017	WASHER, LOCK 3/8	2
37	140028	WASHER, FLAT 3/8	2
N/S	130948	CHARGER, 24VDC 15AMP	1

ACCESSORY KITS



REF	PART #	DESCRIPTION	QTY.
1	190108	KIT, SQUEEGEE, 660 mm (26 in)	1
	190972	KIT, SQUEEGEE, 840 mm (33 in)	1
	190958	KIT, SQUEEGEE, 990 mm (39 in)	1
2	16593	∇KIT, ACCESSORY TOOL	1
	6108.1	▲Two Piece Wand	1
	6117	▲Dusting Brush	1
	6057	▲100 mm (4 in) Upholstery Tool	1
	6170	▲Crevice Tool	1
	14043	▲410 mm (16 in) Floor Tool	1
	13840	▲Squeegee Tool	1

REF	PART #	DESCRIPTION	QTY.
3	190142	∇KIT, ACCESSORY TOOL	1
	190722	▲Two Piece Wand	1
	603840	▲360 mm (14 in) Carpet Tool Scalloped Face	1
	13840	▲360 mm (14 in) Squeegee Tool	1

SQUEEGEE KIT BREAKDOWN

REF	PART #	DESCRIPTION	QTY.
∇	190108	Squeegee Kit 670 mm (26 in)	1
	190972	Squeegee Kit 840 mm (33 in)	1
	190958	Squeegee Kit 990 mm (39 in)	1
▲1	230453.BK	Weldment, Squeegee Lift	1
▲2	230456	Pedal, Lift	1
▲3	230454	Bracket, Squeegee Mount	1
▲4	140232	Screw, 3/8-16x1-1/4	1
▲5	140925	Spacer, 3/16	1
▲6	140028	Washer, Flat 3/8	1
▲7	140515	Nut, Lock Nylon 3/8-16	1
▲8	630258	Pin, Clevis	3
▲9	612254000	Pin, Hair	3
▲10	102560	Pad, nonstick	1
▲11	160462	Hose, Vacuum 1.5x33"	1
▲12	602831	Asm., Squeegee 670 mm (26 in)	1
	603494	Asm., Squeegee 840 mm (33 in)	1
	603496	Asm., Squeegee 990 mm (39 in)	1
▲13	230727.BK	Weldment, Squeegee 670 mm (26 in)	1
	230682.BK	Weldment, Squeegee 840 mm (33 in)	1
	230692.BK	Weldment, Squeegee 990 mm (39 in)	1

REF	PART #	DESCRIPTION	QTY.
▲14	100150	Gasket	1
▲15	230725.BK	Plate, Rear 670 mm (26 in)	1
	230669.BK	Plate, Rear 840 mm (33 in)	1
	230685.BK	Plate, Rear 990 mm (39 in)	1
▲16	230723.BK	Plate, Front 670 mm (26 in)	1
	230670.BK	Plate, Front 840 mm (33 in)	1
	230686.BK	Plate, Front 990 mm (39 in)	1
▲17	603659	Blade, Squeegee 670 mm (26 in)	2
	603661	Blade, Squeegee 840 mm (33 in)	2
	603662	Blade, Squeegee 990 mm (39 in)	2
▲18	140890	Screw, 10-24x1/2	18-28
▲19	140018	Washer, #10 Int Lock	18-28
▲20	27257	Knob, Squeegee	2
▲21	140221	Screw, 5/16-18x1-1/4	2
▲22	630450	Wheel	2
▲23	140799	Screw, 5/16-18x1-1/2	2
▲24	700844	Asm., Squeegee Roller	2
▲25	140226	Screw, 5/16-18x5/8	2
▲26	140015	Washer, Lock	2

∇ Assembly

▲ Included in Assembly

SQUEEGEE KIT BREAKDOWN

