

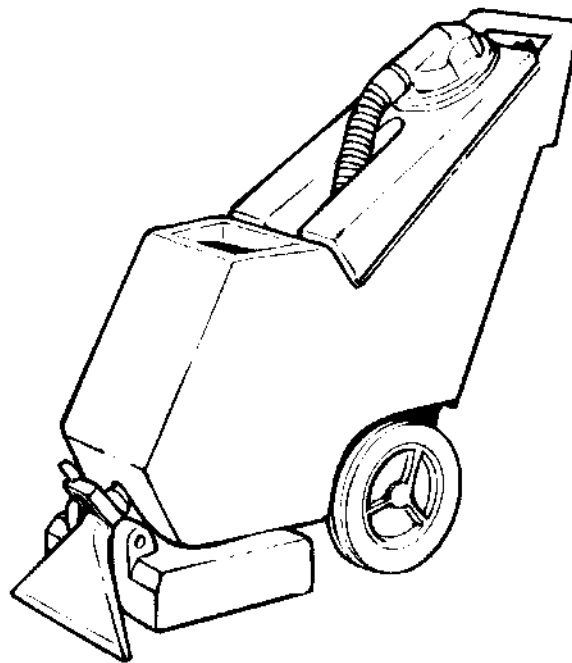


Power Eagle™ 716

Self-Contained Carpet Extractor

Model No.:
608543
609234 – SI

Operator and Parts Manual



NOBLES
12875 RANSOM STREET
HOLLAND MI 49424 U.S.A.

CUSTOMER SERVICE: 1-800-365-6625
FAX: 1-800-678-4240

608548
Rev. 01 (01-00)

OPERATION

This manual is furnished with each new model. It provides necessary operation and maintenance instructions and an illustrated parts list.

Read this manual completely and understand the machine before operating or servicing.

Use the illustrated Parts Lists to order parts. Before ordering parts or supplies, be sure to have your machine model number and serial number handy. Parts and supplies may be ordered by phone or mail from any authorized parts and service center, distributor or from any of the manufacturer's subsidiaries.

This machine will provide excellent service. However, the best results will be obtained at minimum costs if:

- The machine is operated with reasonable care.
- The machine is maintained regularly - per the maintenance instructions provided.
- The machine is maintained with manufacturer supplied or equivalent parts.

MACHINE DATA

Please fill out at time of installation for future reference.

Model No.- _____

Install. Date - _____

Serial No.- _____

©1999 Tennant Company Printed in U.S.A.

Nobles is a registered United States trademark of Tennant Company.
Power Eagle is a United States trademark of Tennant Company.

TABLE OF CONTENTS

SAFETY PRECAUTIONS	3
MACHINE SETUP AND OPERATION	4
MAINTENANCE	5
STORING MACHINE	5
TROUBLE SHOOTING	6
SPECIFICATIONS	7
ELECTRICAL DIAGRAM	9
PARTS LIST	10
OPTIONS	16

SAFETY PRECAUTIONS

This machine is intended for commercial use. It is designed to clean carpet and upholstery in an indoor environment and is not constructed for any other use. Use only recommended cleaning solutions and accessory tools.

All operators must read, understand and practice the following safety precautions.

The following safety alert symbols are used throughout this manual as indicated in their description:

⚠ WARNING: To warn of hazards or unsafe practices which could result in severe personal injury or death.

FOR SAFETY: To identify actions which must be followed for safe operation of equipment.

The following information signals potentially dangerous conditions to the operator or equipment:

FOR SAFETY:

1. **Do not operate machine:**
 - Unless trained and authorized.
 - Unless operator manual is read and understood.
 - In flammable or explosive areas unless designed for use in those areas.
 - With damaged cord or plug.
 - If not in proper operating condition.
 - In outdoor areas.
 - In standing water.
 - With the use of additional extension cords. Only use manufacturer's extension cord equipped with machine which has proper capacity and is grounded.
2. **Before operating machine:**
 - Make sure all safety devices are in place and operate properly.
3. **When using machine:**
 - Do not run machine over cord.
 - Do not pull machine by plug or cord.
 - Do not pull cord around sharp edges or corners.
 - Do not unplug by pulling on cord.
 - Do not stretch cord.
 - Do not handle plug with wet hands.
 - Keep cord away from heated surfaces.
 - Report machine damage or faulty operation immediately.
 - Follow mixing and handling instructions on chemical containers.

4. **Before leaving or servicing machine:**
 - Turn off machine.
 - Unplug cord from wall outlet.
5. **When servicing machine:**
 - Unplug cord from wall outlet.
 - Avoid moving parts. Do not wear loose jackets, shirts, or sleeves.
 - Use manufacturer supplied or approved replacement parts.

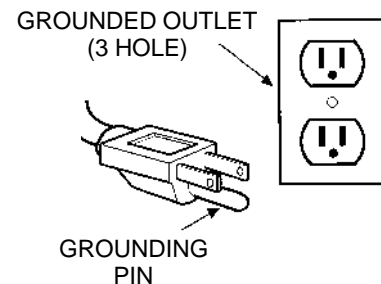
⚠ WARNING: Hazardous Voltage. Shock or electrocution can result. Always unplug machine before servicing.

⚠ WARNING: Flammable materials can cause an explosion or fire. Do not use flammable materials in tank(s).

⚠ WARNING: Flammable materials or reactive metals can cause an explosion or fire. Do not pick up.

GROUNDING INSTRUCTIONS

Machine must be grounded. If it should malfunction or breakdown, grounding provides a path of least resistance for electrical current to reduce the risk of electrical shock. This machine is equipped with a cord having an equipment-grounding conductor and grounding plug. The plug must be plugged into an appropriate outlet that is properly installed in accordance with all local codes and ordinances. Do not remove ground pin; if missing, replace plug before use.



OPERATION

MACHINE SETUP AND OPERATION

FOR SAFETY: Do not operate machine unless operator manual is read and understood.

1. Fill solution tank with 30.8L (7 gal) of hot water, 60°C (140°F) maximum (Figure 1).

NOTE: Use different buckets to fill and drain machine to prevent solution system clogs.



FIG. 1

⚠ WARNING: Flammable materials can cause an explosion or fire. Do not use flammable materials in tank(s).

2. Add a recommended cleaning solution.

FOR SAFETY: When using machine, follow mixing and handling instructions on chemical containers.

ATTENTION: If using powdered cleaning chemicals, mix prior to adding.

NOTE: If desired, water alone achieves excellent cleaning results.

3. Replace dust cover securely after filling.
4. Adjust brush to proper height. Turn height adjustment knob until bristles slightly touch carpet, then turn knob another half turn. Turn knob clockwise to raise and counterclockwise to lower (Figure 2).



FIG. 2

5. Connect extension cord to machine's pigtail cord and attach belt clip to your belt. Plug cord into a grounded wall outlet (Figure 3).

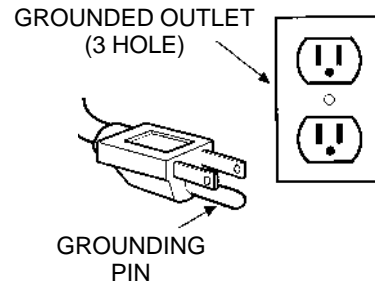


FIG. 3

FOR SAFETY: Do not operate machine with the use of additional extension cords. Only use manufacturer's extension cord equipped with machine which has proper capacity and is grounded.

6. Turn on Master switch.
7. Press and hold in Carpet Cleaning button. Pull machine towards you, 1219 mm (4 ft) at a time. For best cleaning results, lift machine handle slightly while pulling backward. This transfers weight of machine to the pickup head for best water recovery.

NOTE: Scrubbing stained areas with the brush only and no spray can prevent overwetting of carpet. Turn off Master switch and press Carpet Cleaning button. Be careful not to fray carpet fibers.

8. At end of path, release Carpet Cleaning button, pull machine towards you another 305 mm (1 ft) to vacuum excess spray. Push down on handle and move to next area to be cleaned. Overlap each path by 50 mm (2 in).

⚠ WARNING: Flammable materials or reactive metals can cause an explosion or fire. Do not pick up.

NOTE: If brush stops during use, unplug machine and dislodge any obstructions near the brush. Push reset button located under switchbox.

9. Recovery tank will fill with dirty water during cleaning. Watch for foam buildup. If foam does appear, shut off machine. Remove recovery dome and pour a recommended defoamer solution into the recovery tank (Figure 4).



FIG. 4

ATTENTION: Do not allow water or foam to enter vacuum screen. Damage to vacuum will result. This damage is not covered by warranty.

- When solution tank is empty, recovery tank *must* be emptied. To empty recovery tank, turn off machine and position a discharge bucket under drain valve down spout.

NOTE: Do not use same bucket for filling solution tank.

- Pull valve T-handle to empty dirty water. Be sure to close valve before continuing operation.
- When finished cleaning, use 914 mm (3 ft) cleanout hose to vacuum remaining water from solution tank. Attach one end to recovery dome. Turn on Master switch and use other end to vacuum water.

UPHOLSTERY CLEANING

- Disconnect short vacuum hose from recovery dome and replace with accessory vacuum hose.
- Connect accessory solution hose to upholstery connection at back of machine.
- Turn on Master switch.
- Begin cleaning by squeezing trigger on accessory tool to spray cleaning solution.

⚠ WARNING: Flammable materials or reactive metals can cause an explosion or fire. Do not pick up.

NOTE: Be careful not to overwet upholstery.

NOTE: When cleaning upholstery, always check cleaning instructions sewn in furniture by manufacturer.

- When finished cleaning, turn off machine and drain recovery tank.

ATTENTION: The solution hose contains pressurized cleaning solution which can spray when hose is disconnected. Relieve pressure before disconnecting hose by squeezing hand tool trigger for five seconds *after* turning off master switch.

- After relieving pressure in hose, disconnect solution and vacuum hoses.

MAINTENANCE

To keep machine in good working condition, simply follow machine's daily and monthly maintenance procedures.

⚠ WARNING: Hazardous Voltage. Shock or electrocution can result. Always unplug machine before servicing.

SERVICING MACHINE:

For ease of servicing, the machine's tanks are hinged to pivot away from metal chassis to allow access to inner components.

ATTENTION: Make sure tanks are empty before opening.

- Remove two rear hex-head screws, located under chassis near wheels.
- Remove two allen head screws.
- Remove two remaining hex-head screws located at front of chassis.
- Lift tanks upward, away from chassis. The vacuum tool will pivot upward with tanks.

DAILY MAINTENANCE

- Thoroughly rinse recovery tank and recovery dome.
- Clean vacuum screen, solution tank screens and brush.

OPERATION

MONTHLY MAINTENANCE

1. Flush pump system with an acetic acid solution to dissolve normal alkaline chemical buildup.
 - a. Premix .5L (16 oz) of an acetic acid solution with 7.5L (2 gal) of hot water 60° C (140° F) and pour into solution tank.

FOR SAFETY: When using machine, follow mixing and handling instructions on chemical containers.

- b. Turn on Vacuum/Pump switch.
- c. Position brush over floor drain and operate machine for one minute.
- d. Shut off machine and allow remaining solution to break down alkaline buildup overnight.
- e. Next day, spray out remaining solution and flush system with 11L (3 gal) of clean water.

STORING MACHINE

1. Before storing machine, be certain to flush tanks and drain machine of all water.
2. Store machine in a dry area in the upright position with brush raised off floor.
3. Remove recovery dome to promote air circulation.

ATTENTION: Do not expose to rain. Store indoors.

ATTENTION: If storing machine in freezing temperatures, be sure that machine, pump and spraying system are completely drained and dry.

TROUBLE SHOOTING

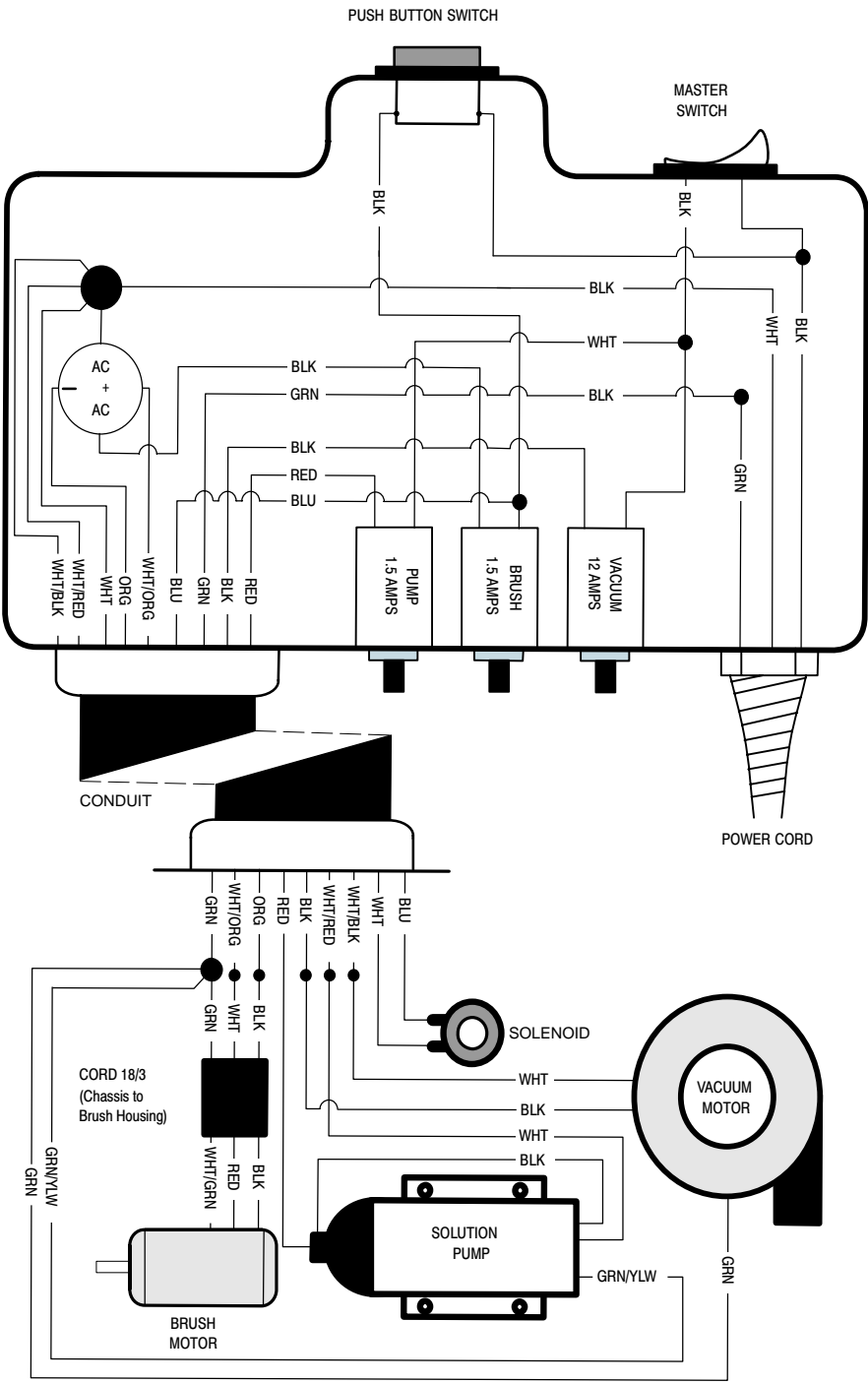
PROBLEM	CAUSE	SOLUTION
Machine does not operate.	Faulty switches or wiring.	Contact Service Center.
	Faulty power cord.	Contact Service Center.
	Building circuit breaker tripped.	Reset breaker.
Solution pump does not operate.	Overheated pump.	Determine cause and wait 20 minutes for pump to cool. Reset breaker.
	Faulty solution pump.	Contact Service Center.
	Faulty solenoid.	Contact Service Center.
	Faulty switch.	Contact Service Center.
	Loose or broken wiring.	Contact Service Center.
Vacuum motor does not operate.	Vacuum motor thermal overload tripped.	Check air flow for obstruction, wait 20 minutes for motor to cool.
	Vacuum motor circuit breaker tripped.	Reset breaker.
	Loose or broken wiring.	Contact Service Center.
	Faulty Master switch.	Contact Service Center.
	Defective vacuum motor.	Contact Service Center.
	Worn carbon brushes.	Replace brushes or call for service.
Brush motor does not operate.	Brush motor circuit breaker tripped.	Remove brush obstruction OR readjust brush height. Reset brush breaker button at bottom of switch box.
	Carpet Cleaning Switch not pushed.	Push Carpet Cleaning Switch.
	Faulty brush motor.	Contact Service Center.
	Loose or broken brush belt.	Contact Service Center.
	Faulty switch or wiring.	Contact Service Center.
Poor pick up.	Open drain valve.	Close valve.
	Clogged standpipe screen in recovery tank.	Remove recovery dome and clean lint off screen.
	Air leakage around recovery dome.	Tighten recovery dome knobs or replace gaskets.
	Loose vacuum hose connections.	Secure connections.
	Defective vacuum hose.	Replace hose.
	Loose vacuum hose cuffs.	Secure cuffs to hose.
	Pulling machine too fast.	Slow down cleaning process.
Uneven or no spray.	Dirty or plugged spray tips.	Clean or replace tips.
	Improper spray tip size or spray angle.	Replace with proper tips.
	Worn spray tips.	Replace spray tips.
	Solution tank low or empty.	Refill solution tank.
	Faulty solution pump.	Contact Service Center.
	Plugged solution tank filter.	Clean filter.
Drain valve leaks.	Drain valve gaskets worn.	Replace gaskets.
	Lint or dirt in drain valve.	Clean valve.

OPERATION

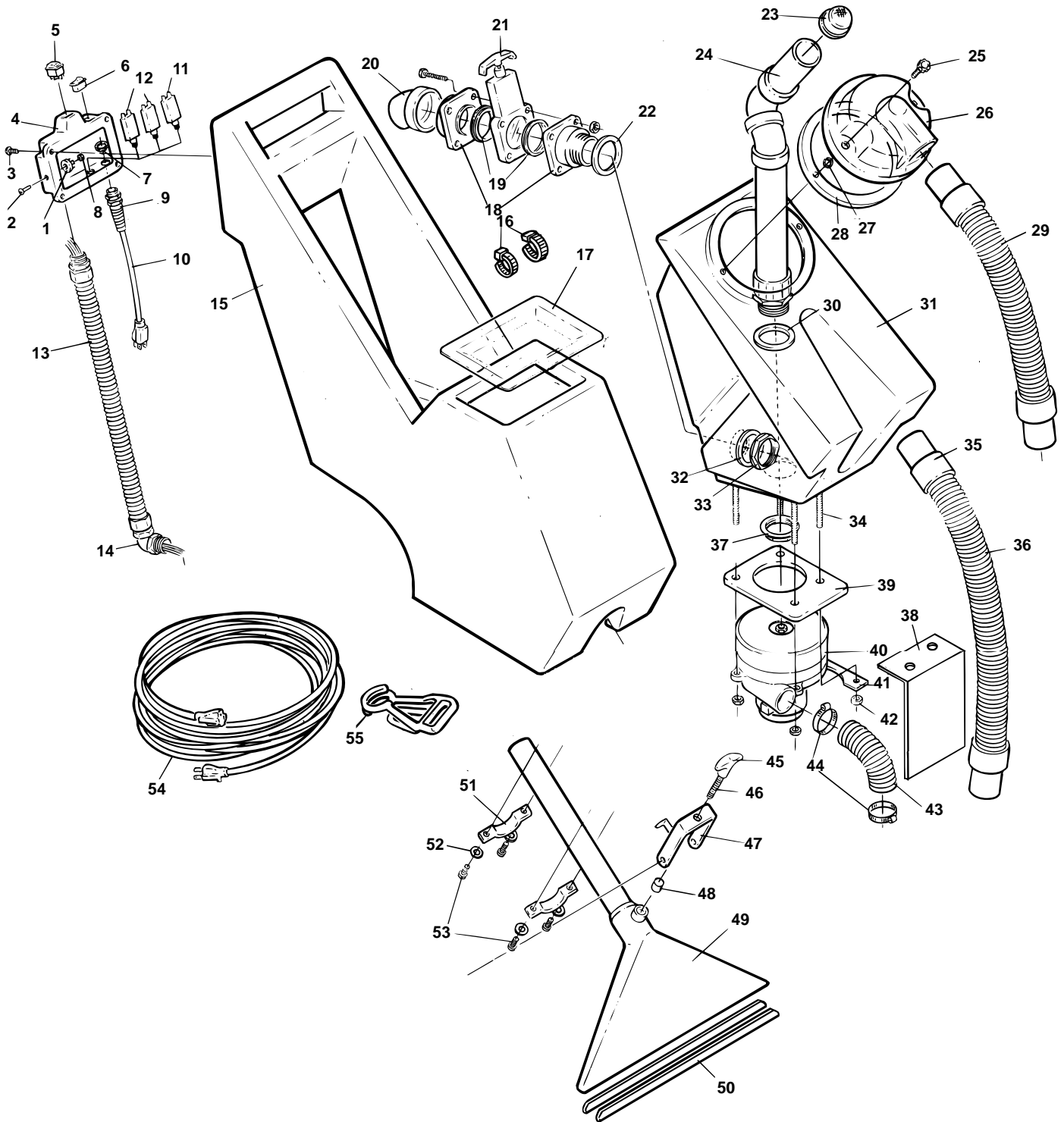
SPECIFICATIONS

Model	Power Eagle™ 716
LENGTH	991 mm (39 in)
WIDTH	406 mm (16 in)
HEIGHT	864 mm (34 in)
WEIGHT	39 Kg (86lb)
SOLUTION TANK CAPACITY	31L (7 gal)
RECOVERY TANK CAPACITY	31L (7 gal)
CLEANING PATH WIDTH	406 mm (16 in)
MAXIMUM CLEANING RATE	186 m ² (2,000 sq. ft) per hour
BRUSH MOTOR	120V, .1hp,1A, 120W, 1800 rpm
BRUSH SPEED	1200 rpm
SOLUTION PUMP	120V, 6.9bar (100psi), 1A
VACUUM MOTOR	120V, 1.66 hp, 10.3A, 1236W, 3 stage
SEALED WATER LIFT	2972 mm (117 in)
TOTAL POWER CONSUMPTION	120V, 12.7A, 1524W
DECIBEL RATING AT OPERATOR'S EAR, INDOORS ON CARPET	>70dB(A)

120V



TANK GROUP



TANK GROUP

REF	PART #	DESCRIPTION	QTY.
1	130304	RECTIFIER	1
2	140879	SCREW, 6-32 X 3/4	1
3	140889	SCREW, 1/4-20 X 3/4	4
4	608537	SWITCHBOX, GREEN	1
5	130441	SWITCH, 120 VOLT	1
6	130717	SWITCH, ROCKER	1
7	140549	NUT, LOCK 3/8 CONDUIT	1
8	140534	NUT, NYLON 6-32	1
9	130166	CORD GRIP	1
10	130237	CORD, 16/3 X 18" YELLOW	1
11	130670	BREAKER, CIRCUIT, 12 AMP	1
12	130760	BREAKER, CIRCUIT, 1.5 AMP	2
13	130977	HARNESS, WIRE	1
14	130242	FITTING, ELBOW 1/2"	1
15	608544	TANK, SOLUTION, GREEN	1
16	130040	WIRE TIE, NYLON	2
17	230500	COVER, DUST	1
18	210242	VALVE, DRAIN W/ METAL HANDLE, NO SPOUT	1
19	210239	VALVE, DRAIN GATE SEAL (REQUIRES 2)	2
20	210232	DOWNSPOUT, DRAIN VALVE	1
21	210237	HANDLE, METAL - DRAIN VALVE	1
22	210234	GASKET, DRAIN VALVE	1
23	180612	SCREEN, STANDPIPE	1
24	700144	STANDPIPE ASSEMBLY	1
25	240217	KNOB, RECOVERY DOME	2
26	100112	DOME, RECOVERY	1
27	140037	WASHER, NYLON SPLIT LOCK	2
28	100042	GASKET, RECOVERY DOME	1
29	160421	HOSE, VAC. 1 1/2" X 19-1/8 W/ CUFFS	1

REF	PART #	DESCRIPTION	QTY.
30	230159	O-RING, STANDPIPE	1
31	608546	TANK, RECOVERY, GREEN	1
32	101714	GASKET, WASTE CHAMBER	1
33	210240	NUT, METAL DRAIN VALVE	1
34	140238	STUD, 1/4-20 X 5 ZINC	4
35	160430	HOSE CUFF, 1-1/2 X 1-1/2	2
36	160423	HOSE, VACUUM 1-1/2 X 36" (CLEANOUT)	1
37	210240	NUT, METAL DRAIN VALVE	1
38	230503	SHIELD, VACUUM	1
39	100037	GASKET, VACUUM MOTOR	1
40	130416	MOTOR, VACUUM 5.7", 3 STAGE, 120 VOLT	1
	190160	CARBON BRUSH (2/PK)	2
41	230237	BRACKET, SUPPORT	1
42	140501	NUT, LOCK - NYLOCK INSERT	4
43	160838	HOSE, EXHAUST 2" X 24"	1
44	140308	CLAMP, HOSE	2
45	240194	KNOB, HEIGHT ADJUSTMENT	1
46	230382	STUD, HEIGHT ADJUSTMENT	1
48	140919	SPACER, NYLON	1
49	200450.BK	TOOL, FLOOR, 16" BLACK	1
50	200956	SHOE, 16" FLOOR TOOL	2
51	140313	CLAMP, FLOOR TOOL	2
52	140016	WASHER, LOCK 1/4"	4
53	140554	SCREW, HEX CAP 1/4-20 X 3/4	4
54	130250	CORD, EXTENS. 16/3 X 50 FT YELLOW	1
55	130176	BELT CLIP ONLY, YELLOW	1



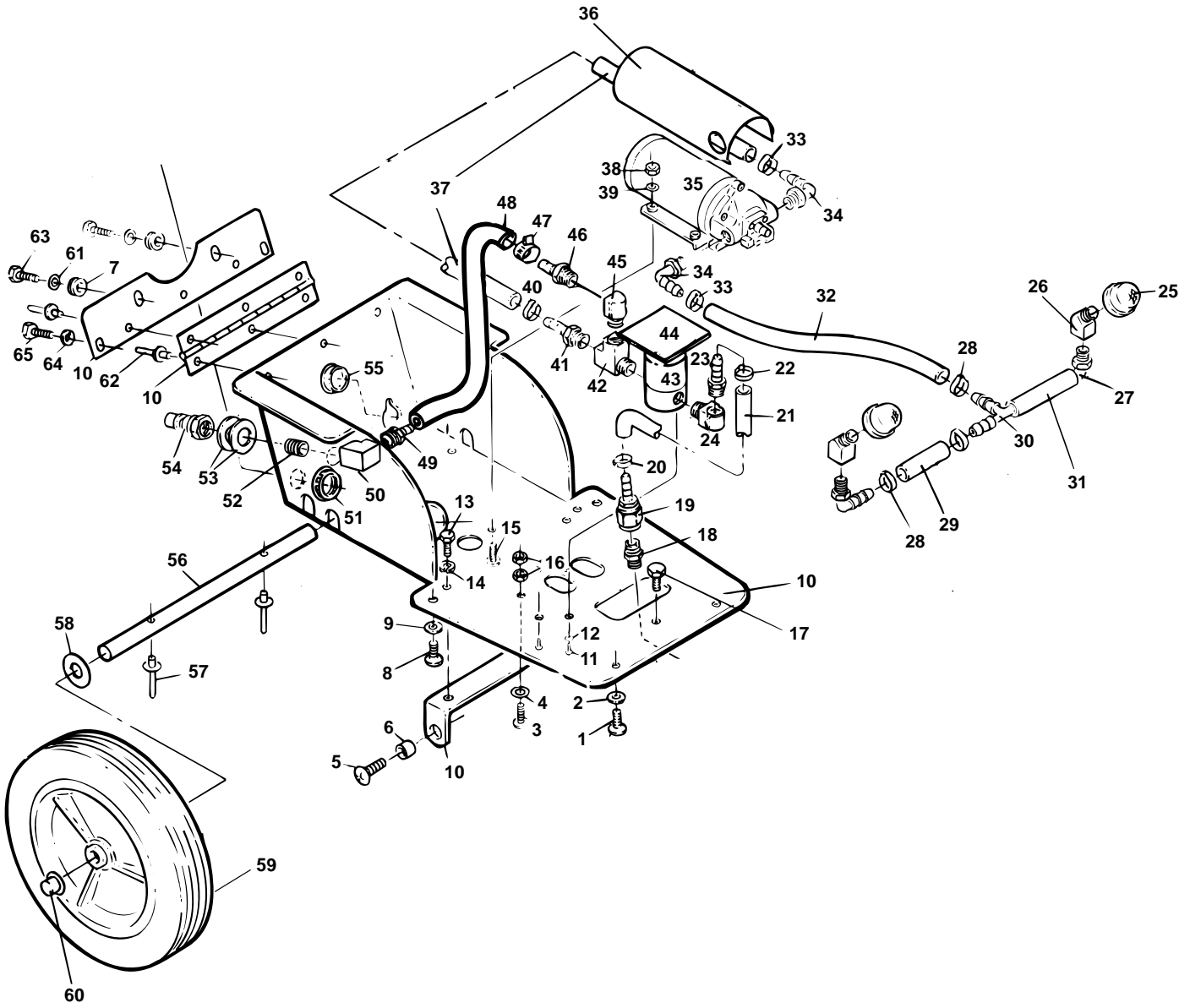
47
230638.BK BRACKET, HEIGHT ADJT.

DECAL LIST (not shown)

REF	PART #	DESCRIPTION	QTY.
N/S	608471	DECAL, POWER EAGLE 716	2
N/S	608185	DECAL, NOBLES LOGO	1
N/S	120399	DECAL, DO NOT ALLOW FOAM	1
N/S	120617	DECAL, HEIGHT ADJUSTMENT	1
N/S	602505	DECAL, INSTRUCTION	1
N/S	120906	DECAL, IMPORTANT - DRAIN	1
N/S	120619	DECAL, WARNING - EXTRACTORS	1

PARTS LIST

CHASSIS GROUP

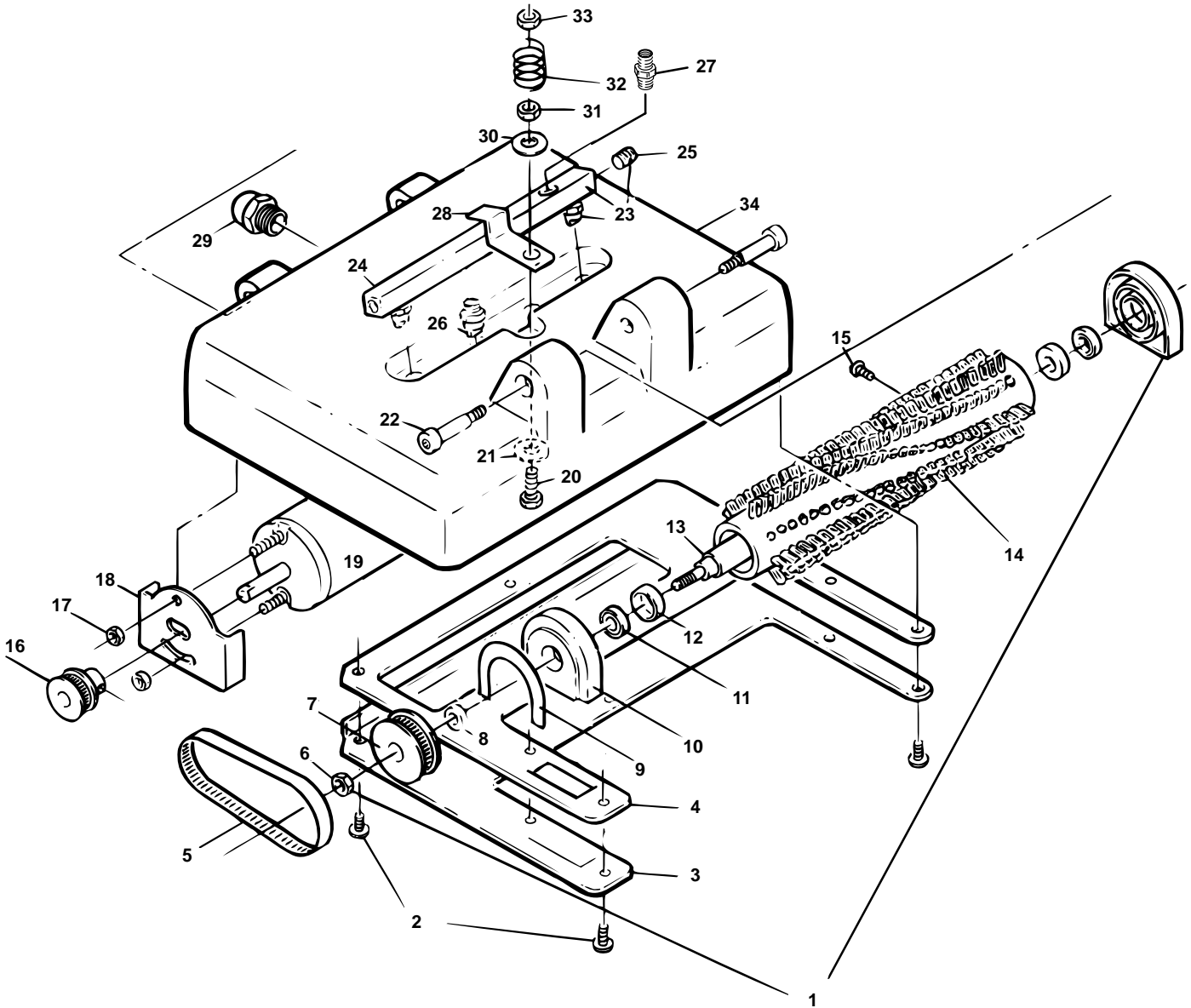


CHASSIS GROUP

REF	PART #	DESCRIPTION	QTY.
1	140553	SCREW, HEX CAP 1/4-20 X 1/2	2
2	140052	WASHER, EXT LOCK TOOTH	8
3	140891	SCREW, 10-24 X 5/8	1
4	140031	WASHER, EXT LOCK TOOTH	1
5	140898	SCREW, 3/8-16 X 3/4	2
6	140914	SPACER, NYLON .375IDX.5X.25	2
7	180131	GROMMET, RUBBER	2
8	140553	SCREW, HEX CAP 1/4-20 X 1/2	2
9	140052	WASHER, EXT LOCK TOOTH	2
10	230301.BK	CHASSIS, HINGED, BLACK	1
11	140801	SCREW, 8-32 X 3/8	2
12	140023	WASHER, INT LOCK TOOTH	1
13	140553	SCREW, HEX CAP 1/4-20 X 1/2	2
14	140016	WASHER, LOCK 1/4"	2
15	140804	SCREW, 10-24 X 1	2
16	140519	NUT, KEP 10-24	2
17	140200	SCREW, HEX CAP 3/8-16 X 1/2	1
18	150616	ADAPTER, BRASS 1/8 X 1/4, 37° TUBE	1
19	150526	HOSE BARB, BRASS 1/8 NPT X 1/4	1
20	140325	CLAMP, EAR 1/4	1
21	607307	HOSE, 1/4" X 12"	1
	160510	HOSE GUARD 1/4" X 10"	1
22	140325	CLAMP, EAR 1/4	1
23	150515	HOSE BARB, 1/4 MPT X 1/4 H	1
24	150406	ELBOW, 90°, 1/4 FPT X 1/4 MPT	1
25	180628	SCREEN, SOLUTION TANK	2
26	150403	ELBOW, 45°	2
27	150415	ELBOW, 90° NYL 1/4 MPT X 3/8	2
28	140301	CLAMP, PINCH	5
29	607412	HOSE, 3/8" X 2"	1
30	160310	TEE, 3/8 HOSE BARB, NYLON	1
31	607415	HOSE, 3/8" X 4"	1
32	606163	HOSE, 3/8" X 22"	1
33	140310	CLAMP, HOSE	2
34	150412	ELBOW, 90° NYL 3/8 MPT X 3/8	2

REF	PART #	DESCRIPTION	QTY.
35	180103	PUMP, SHURFLO 100 PSI, 120 VOLT	1
36	230508	SHIELD, PUMP	1
37	160570	HOSE, 3/8" X 11" 609432	1
	160570	HOSE GUARD 3/8" X 11" 613508	1
38	140519	NUT, KEP 10-24	2
39	140012	WASHER, FLAT 3/16"	2
40	140301	CLAMP, PINCH	6
41	150516	HOSE BARB, BRASS 1/4 MPT X 3/8	2
42	150709	TEE, STR 1/4FPTX1/4FPTX1/4MPT	1
43	210033	VALVE, SOLENOID, 120 VOLT, 60HZ	1
44	230509	SHIELD, SOLENOID	1
45	150406	ELBOW, STR-90° 1/4FPTX1/4MPT	1
46	150517	HOSE BARB, BRASS, 1/4MPTX1/2	2
47	140310	CLAMP, HOSE	2
48	606162	HOSE, 1/2" X 26"	1
	160209	HOSE GUARD, 1/2" X 25" 613507	1
49	150517	HOSE BARB, BRASS, 1/4MPTX1/2	2
50	150401	ELBOW, 90°, 1/4FPTX1/4FPT	1
51	130977	HARNES, WIRING	1
52	150615	NIPPLE, BRASS 1/4" CLOSE	1
53	140033	WASHER, FLAT 1/2" USS-BLUE	2
54	150933	PLUG, QCK CPLR SER. 60 FPT	1
55	130104	BUSHING, SNAP .875 ID - BLACK	1
56	230294	AXLE, HINGED	1
57	140705	RIVET, POP	2
58	140008	WASHER, FLAT	2
59	103025	WHEEL, 10" X 1.75 GRAY	2
60	103019	CAP, HUB	2
61	140010	WASHER, FLAT 1/4" SAE	2
62	140701	RIVET, POP	6
63	140554	SCREW, HEX 1/4-20 X 3/4	2
64	140016	WASHER, LOCK 1/4"	2
65	140554	SCREW, HEX 1/4-20 X 3/4	2

BRUSH GROUP



BRUSH GROUP

REF	PART #	DESCRIPTION	QTY.
1	700212	BRUSH ASM, 16" COMPLETE	1
2	140887	SCREW, 10-24 X 3/8	10
3	100734.BK	PLATE, BRUSH, 16"	1
4	100006	GASKET, BASE PLATE	1
5	230507	BELT, BRUSH DRIVE	1
6	140548	NUT, FINJAM 5/16	1
7	230505	PULLEY, BRUSH W/ SCREW	1
8	230363	SPACER, BRUSH, .625OD X .328ID X .125	1
9	100005	GASKET, BEARING BLOCK	1
10	230261	BLOCK, BEARING	2
11	140125	BEARING, BRUSH	2
12	100049	SEAL, BRUSH BEARING	2
13	230257	SHAFT, BRUSH, (16")	1
14	240004	BRUSH, CYLINDER, (16")	1
15	140554	SCREW, HEX CAP 1/4-20 X 3/4	4
16	230506	PULLEY, MOTOR W/ SCREW	1
17	140518	NUT, KEP 10-32	2
18	230366	PLATE, MOTOR MOUNT	1

REF	PART #	DESCRIPTION	QTY.
19	130471	MOTOR, BRUSH DRIVE 120 VOLT	1
20	140233	SCREW, HEX CAP 3/8-16 X 1-3/4	1
21	140036	WASHER, FLAT 3/8	2
22	140564	BOLT, SHOULDER 3/8 X 3/4	2
V23	700860	SPRAYBAR 16" COMPL.	1
▲24	230267	SPRAYBAR MANIFOLD, 16"	1
▲25	150208	PLUG, BRASS HEX HEAD 1/8	3
▲26	201001	NOZZLE, 1/8" BRASS, NO SCREEN	4
▲27	150616	FITTING, 1/8 NPT X 1/4	1
28	230264.BK	CLAMP, SPRAYBAR MANIFOLD	1
29	130671	CORD, ASM, 18/3X24", BLACK W/ CORD GRIPS	1
30	140036	WASHER, FLAT	2
31	140515	NUT, LOCK NYL INSERT 3/8-16	1
32	140407	SPRING, .845 OD	1
33	140515	NUT, LOCK NYL INSERT 3/8-16	1
34	608541	HOUSING, BRUSH 16" GREEN	1

V ASSEMBLY

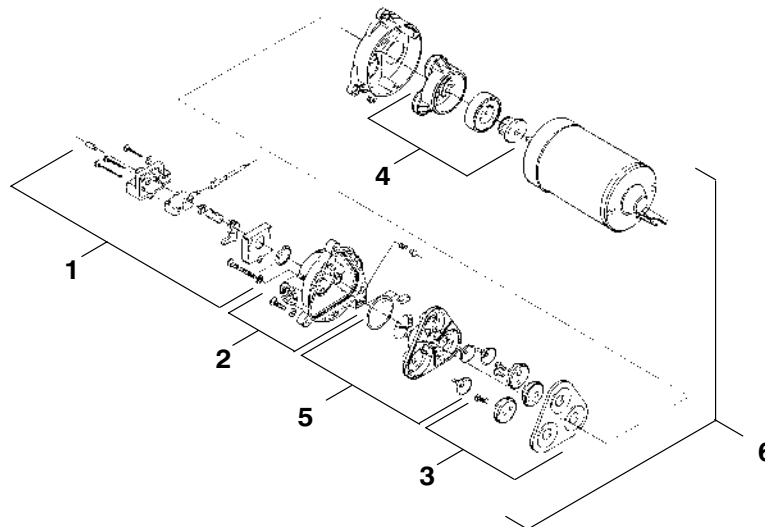
▲ INCLUDED IN ASSEMBLY

201010 Assembly, Spray Tip Complete

201012 Spray Tip only

201015 Seal, Spray Nozzle

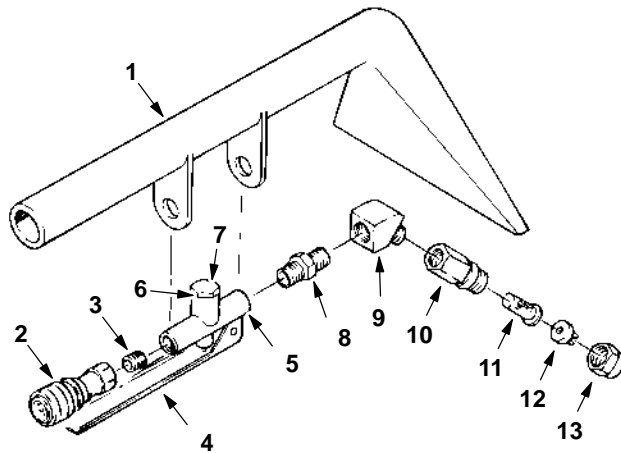
SOLUTION PUMP BREAKDOWN



REF	PART #	DESCRIPTION	QTY.
1	190129	PRESSURE SWITCH	1
2	190128	UPPER PUMP HOUSING KIT	1
3	190131	SERVICE KIT	1

REF	PART #	DESCRIPTION	QTY.
4	190130	LOWER PUMP HOUSING KIT	1
5	190171	KIT, PUMP VALVE (VITON)	1
6	180103	SOLUTION PUMP 100 PSI (COMP.)	1

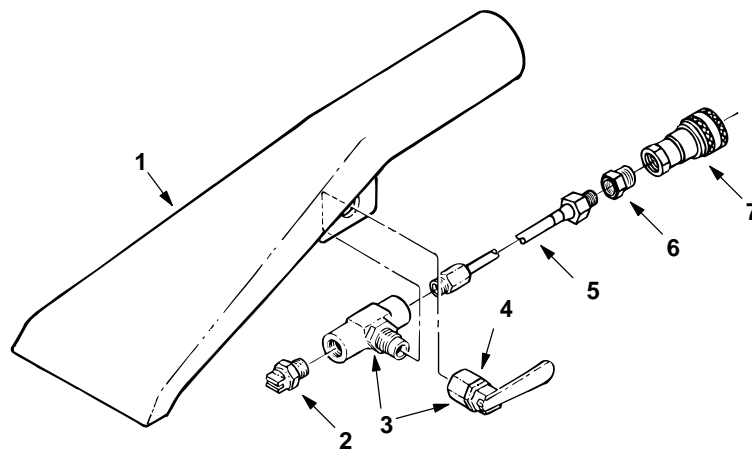
127mm (5 in) HAND TOOL



REF	PART #	DESCRIPTION	QTY.
	200505	TOOL, HAND (COMPLETE)	1
1	200431.BK	TOOL, HAND	1
2	150913	COUPLER, QUICK	1
3	150615	NIPPLE, CLOSE	1
4	200905	TRIGGER, HAND TOOL	1
5	210210	VALVE, FLOW CONTROL	1
6	190600	PIN & SPRING, VALVE	1

REF	PART #	DESCRIPTION	QTY.
7	N/A	CAP, VALVE	1
8	150606	NIPPLE, HEX 1/4	1
9	150403	ELBOW, ST 1/4 45°	1
10	200992	BODY, SPRAY 1/4F	1
11	200996	SCREEN, SPRAY NOZZLE	1
12	200965	TIP, SPRAY #8002	1
13	200994	CAP, SPRAY BODY	1

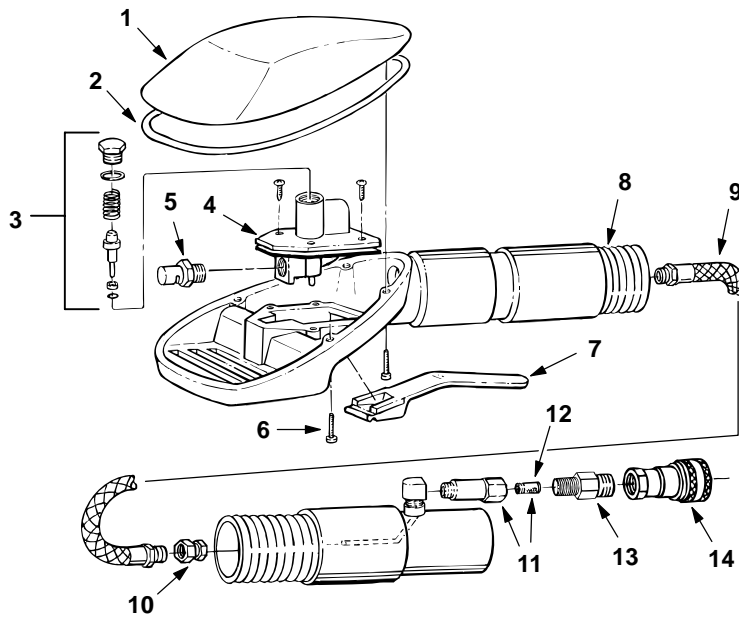
CREVICE TOOL



REF	PART #	DESCRIPTION	QTY.
	200517	TOOL, CREVICE (COMPLETE)	1
1	200436.BK	TOOL	1
2	200975	NOZZLE	1
3	210014	VALVE, TOGGLE	1
4	210020	CAP, VALVE POSITIONER	1

REF	PART #	DESCRIPTION	QTY.
5	160106	HOSE, ASM.	1
6	150100	FITTING, 1/4MX1/8F	1
7	150913	COUPLER	1

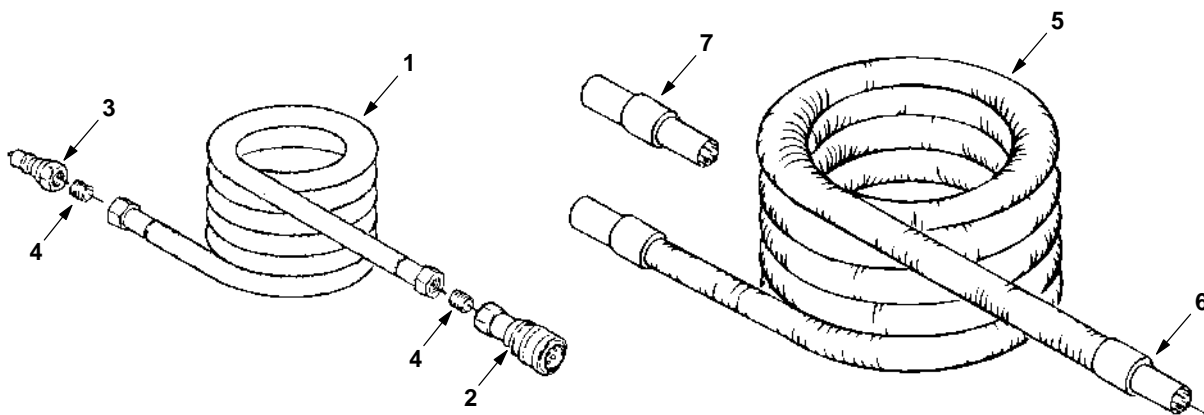
UPHOLSTERY TOOL



REF	PART #	DESCRIPTION	QTY.
	200540	TOOL, UPHOL. (COMPLETE)	1
1	200845	COVER	1
2	200843	GASKET	1
3	190631	KIT, VALVE ASM.	1
4	210226	VALVE, LP	1
5	200991	NOZZLE	1
6	200838	SCREW	4
7	200840	TRIGGER	1

REF	PART #	DESCRIPTION	QTY.
8	200844	HOSE, VACUUM	1
9	200837	HOSE, SOLUTION	1
10	200848	FITTING	1
11	200842	FILTER	1
12	200841	SCREEN, FILTER	1
13	150606	FITTING, 1/4MX1/4M	1
14	150913	COUPLER	1

SOLUTION AND VACUUM HOSES

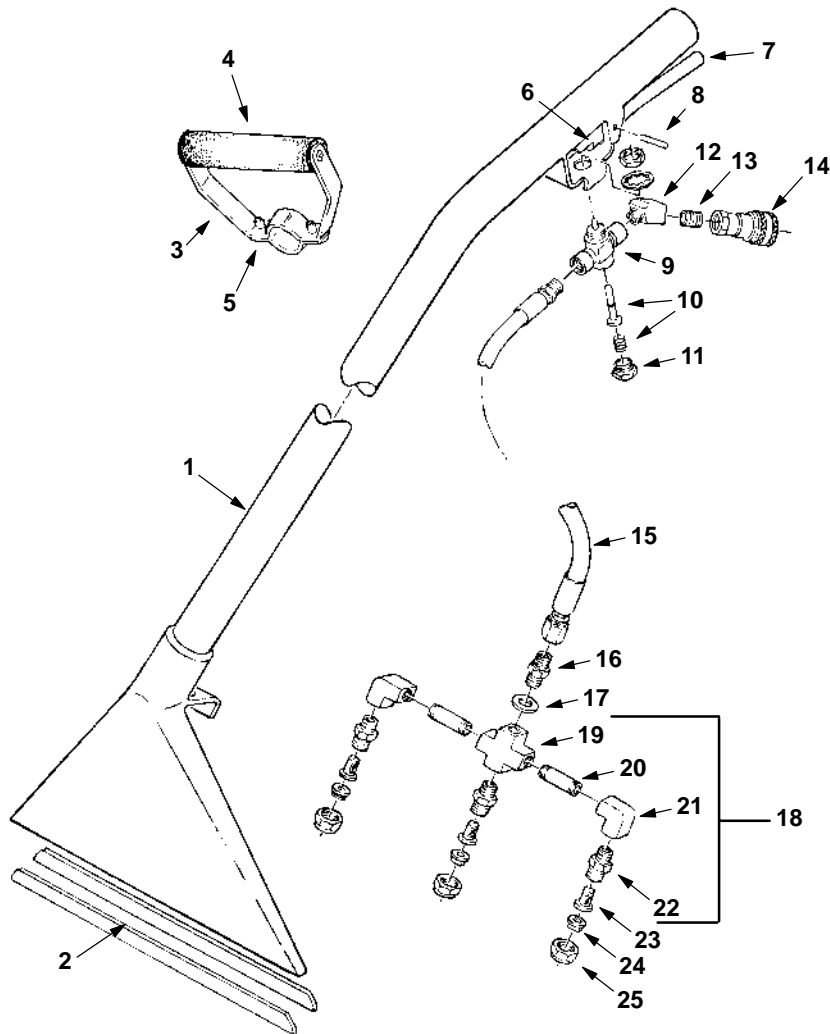


REF	PART #	DESCRIPTION	QTY.
▽1	160185	HOSE, SOLUTION 15'	1
▲2	150913	COUPLER, QUICK	1
▲3	150933	PLUG, QUICK COUPLER	1
▲4	150615	NIPPLE	2

REF	PART #	DESCRIPTION	QTY.
▽5	160400	HOSE, VACUUM 15'	1
▲6	160430	CUFF, HOSE 1-1/2"	2
7	160451	CONNECTOR, VAC HOSE	1

▽ ASSEMBLY
 ▲ INCLUDED IN ASSEMBLY

330mm (13 in) FLOOR TOOL



REF	PART #	DESCRIPTION	QTY.
	600048	FLOOR TOOL (COMPLETE)	1
1	200403.BK	TOOL, FLOOR	1
2	200939	SHOES, S/S	2
∇3	200927	ASM., GRIP, ADJ.	1
▲4	200912	FOAM, GRIP	1
▲5	140259	SCREW, 1/4X3/4	2
6	200902	TRIGGER	1
7	200809	SLEEVE, TRIGGER	1
8	140605	PIN	1
8	140520	NUT, PUSH (NOT SHOWN)	2
9	210150	VALVE, FLOW CONTROL	1
10	190603	KIT, VALVE PIN & SPRING	1
11	N/A	CAP, HEX, VALVE	1
12	150403	ELBOW, 1/4-45°	1
13	150615	NIPPLE, CLOSE 1/4	1

REF	PART #	DESCRIPTION	QTY.
14	150913	COUPLER, QUICK	1
15	160170	HOSE, SOLUTION, LP	1
16	150606	NIPPLE, HEX 1/4"	1
17	140058	WASHER	1
∇18	700062	ASM., SPRAY BAR	1
▲19	150700	CROSS, FITTING	1
▲20	150600	NIPPLE	2
▲21	150401	ELBOW, 90° 1/4FX1/4F	2
▲22	200993	SPRAY BODY	3
23	200996	SCREEN, SPRAY BODY	3
24	200964	TIP	3
25	200994	CAP, SPRAY BODY	3

∇ ASSEMBLY

▲ INCLUDED IN ASSEMBLY