

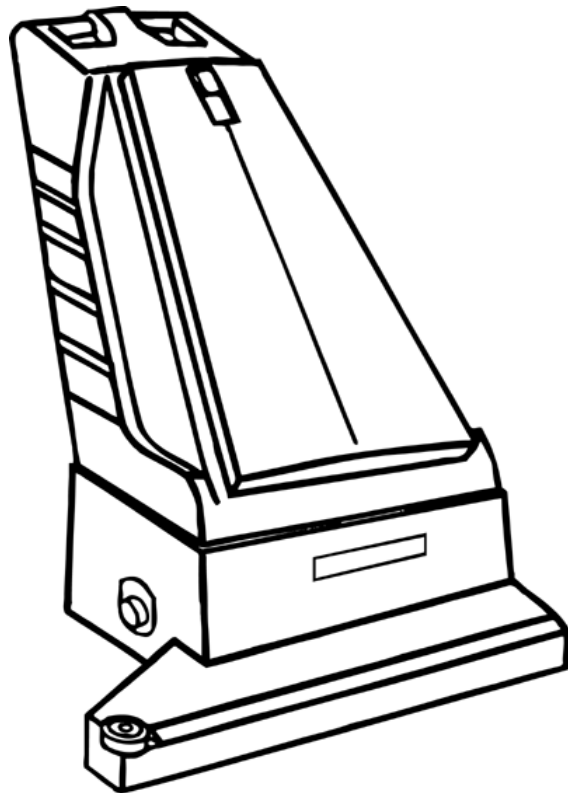


Magna Twin™ 3000

Wide Area Vacuum

Model No.:
608577 – 120V
609227 – 120V CSA

Operator and Parts Manual



TENNANT COMPANY
701 NORTH LILAC DRIVE
MINNEAPOLIS, MN 55422

MAILING ADDRESS:
TENNANT COMPANY
P.O. BOX 1452
MINNEAPOLIS, MN 55440-1452

NOBLES CUSTOMER SERVICE:
1-800-365-6625

FAX: 1-800-678-4240

TECHNICAL SUPPORT:
1-800-522-7839 EXT. 5356

608582
Rev. 01 (03-04)

OPERATION

This manual is furnished with each new model. It provides necessary operation and maintenance instructions and an illustrated parts list.

Read this manual completely and understand the machine before operating or servicing it.

Use the illustrated Parts Lists to order parts. Before ordering parts or supplies, be sure to have your machine model number and serial number handy. Parts and supplies may be ordered by phone or mail from any authorized parts and service center, distributor or from any of the manufacturer's subsidiaries.

This machine will provide excellent service. However, the best results will be obtained at minimum costs if:

- The machine is operated with reasonable care.
- The machine is maintained regularly - per the machine care instructions provided.
- The machine is maintained with manufacturer supplied or equivalent parts.

MACHINE DATA

Please fill out at time of installation for future reference.

Model No.- _____

Install. Date - _____

Serial No.- _____

©1999, 2004 Tennant Company

Printed in U.S.A.

Nobles is a registered United States trademark of Tennant Company.

Magna Twin is a United States trademark of Tennant Company.

TABLE OF CONTENTS

SAFETY PRECAUTIONS	3	STORING MACHINE	8
GROUNDING INSTRUCTIONS	4	RECOMMENDED STOCK ITEMS	8
SAFETY LABELS	4	TROUBLE SHOOTING	9
MACHINE SETUP	5	SPECIFICATIONS	10
MACHINE OPERATION	5	ELECTRICAL DIAGRAMS	11
HOSE ATTACHMENT OPERATION	6	PARTS LIST	12
MACHINE MAINTENANCE	6	UPPER HOUSING GROUP	12
DAILY MAINTENANCE	6	LOWER HOUSING GROUP	14
WEEKLY MAINTENANCE	7	CONSOLE GROUP	16
QUARTERLY MAINTENANCE	7	OPTIONS	17
ROUTINE ADJUSTMENTS	7	WAND AND HOSE KIT	17
BRUSH ADJUSTMENT	7		
BELT ADJUSTMENT OR REPLACEMENT .	8		

SAFETY PRECAUTIONS

This machine is intended for commercial use only. It is designed exclusively to pick up dirt, dry debris and dust in an indoor environment and is not constructed for any other use. The pick up of any type of fluid or dangerous/toxic materials is prohibited. Use only recommended accessories.

All operators must read, understand and practice the following safety precautions.

The following warning alert symbol and the "FOR SAFETY" heading are used throughout this manual as indicated in their description:

⚠ WARNING: To warn of hazards or unsafe practices which could result in severe personal injury or death.

FOR SAFETY: To identify actions which must be followed for safe operation of equipment.

Failure to follow these warnings may result in: personal injury, electrocution, electric shock, fire or explosion:

⚠ WARNING: Do Not Use Flammable Liquids Or Operate Machine In Or Near Flammable Liquids, Vapors Or Combustible Dusts.

This machine is not equipped with explosion proof motors. The electric motors will spark upon start up and during operation which could cause a flash fire or explosion if machine is used in an area where flammable vapors/liquids or combustible dusts are present.

⚠ WARNING: Do Not Pick Up Flammable Or Toxic Materials, Burning Or Smoking Debris.

⚠ WARNING: Do Not Operate With Damaged Power Cord. Do Not Modify Plug. Unplug Power Cord Before Servicing Machine

If the supply cord is damaged or broken, it must be replaced by the manufacturer or it's service agent or a similarly qualified person in order to avoid a hazard.

⚠ WARNING: Do Not Use Outdoors Or On Wet Surfaces. Do Not Expose to Rain. Store Indoors.

The following information signals potentially dangerous conditions to the operator or equipment:

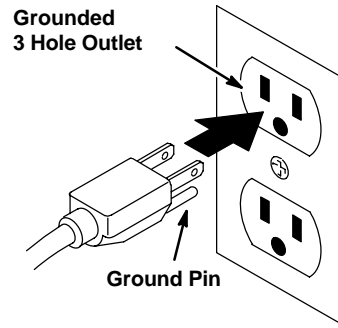
FOR SAFETY:

1. Do not operate machine:
 - In flammable or explosive areas.
 - Unless trained and authorized.
 - Unless operator manual is read and understood.
 - Unless cord is properly grounded.
 - With damaged cord or plug.
 - If not in proper operating condition.
 - On wet or damp surfaces.
 - In outdoor areas.
 - Without bag and/or filters in place.
 - With the use of an extension cord.
2. Before operating machine:
 - Make sure all safety devices are in place and operate properly.
3. When using machine:
 - Do not pull machine by plug or cord.
 - Do not pull cord around sharp edges or corners.
 - Do not close doors on cord.
 - Do not unplug by pulling on cord.
 - Do not stretch cord.
 - Do not handle plug with wet hands.
 - Keep cord away from heated surfaces.
 - Do not pick up burning or smoking debris, such as cigarettes, matches or hot ashes.
 - Report machine damage or faulty operation immediately.
 - Never allow children to play on or around.
4. Before leaving or servicing machine:
 - Turn off machine.
 - Unplug cord from wall outlet.
5. When servicing machine:
 - Unplug cord from wall outlet.
 - Avoid moving parts. Do not wear loose jackets, shirts, or sleeves.
 - Use manufacturer supplied or approved replacement parts.
 - All repairs must be performed by a qualified service person.
 - Do not modify the machine from it's original design.

OPERATION

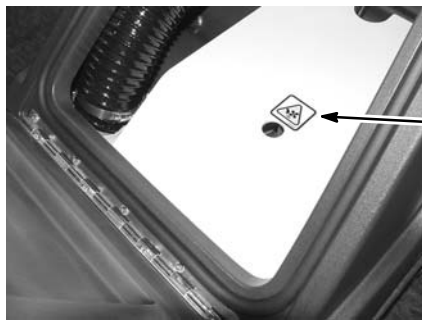
GROUNDING INSTRUCTIONS

Machine must be grounded. If it should malfunction or breakdown, grounding provides a path of least resistance for electrical current to reduce the risk of electrical shock. This machine is equipped with a cord having an equipment-grounding conductor and grounding plug. The plug must be plugged into an appropriate outlet that is properly installed in accordance with all local codes and ordinances. Do not remove ground pin; if missing, replace plug before use.



SAFETY LABELS

The safety labels appear on the machine in the locations indicated. Replace labels if they become damaged or illegible.



WARNING LABEL –
LOCATED INSIDE OF
MACHINE ON VACUUM
MOTOR COVER.

⚠ WARNING: Moving
fan blades. Keep
away.



WARNING LABEL –
LOCATED ON BACK-
SIDE OF MACHINE.

WARNING LABEL – LOCATED ON
BACKSIDE OF MACHINE.



MACHINE SETUP

1. Install selected filter bag by opening bag access door and sliding rubber collar on bag completely onto the intake chamber. Make sure bag is totally within housing before closing door (Figure 1).

FOR SAFETY: Do not operate machine without bag and/or filters in place.



FIG. 1

1

ATTENTION: To maintain best performance, empty filter bag when 2/3 full.

2. Plug power cord into 120V grounded wall outlet (Figure 2).

FOR SAFETY: Do not operate machine unless cord is properly grounded.

⚠ WARNING: Do Not Operate With Damaged Power Cord. Do Not Modify Plug. Unplug Power Cord Before Servicing Machine.

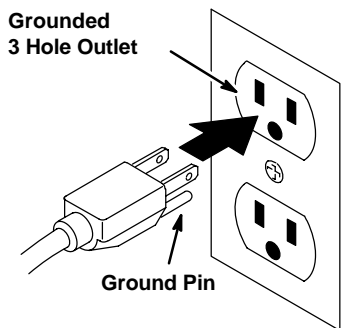


FIG. 2

2

3. Properly adjust brush height to type of carpet, tilt machine back and turn adjustment knob counterclockwise. Now tilt machine back down to floor and activate triggers. If a slight forward propulsion is noticed, machine is properly adjusted (Figure 3).



FIG. 3

3

NORMAL BRUSH ADJUSTMENT RANGES:

- THICK PILE CARPET 11 TO 8
- MEDIUM PILE CARPET 7 TO 4
- LOW PILE CARPET 3 TO 1

MACHINE OPERATION

FOR SAFETY: Do not operate machine unless operator manual is read and understood.

1. Turn on vacuum switch, located on control console. Make sure air flow control knob is pushed in all the way to direct air flow to brush area (Figure 4).

FOR SAFETY: When using machine, do not pull cord around sharp edges or corners. Do not stretch cord. Do not close doors on cord. Do not unplug by pulling on cord. Keep cord away from heated surfaces.

⚠ WARNING: Do Not Pick Up Flammable Or Toxic Materials, Burning Or Smoking Debris.

⚠ WARNING: Do Not Use Flammable Liquids Or Operate Machine In Or Near Flammable Liquids, Vapors Or Combustible Dusts.



FIG. 4

4

OPERATION

ATTENTION: To prevent overheating, do not operate brush motor without vacuum motor running.

2. Pull either one or both triggers to activate brush motor. With motor running, push machine forward to vacuum. Revolving brush should help assist in propelling of machine (Figure 5).



FIG.

5

3. Work away from power cord and receptacle to prevent running over power cord. Use an "S" pattern when cleaning.
4. When cleaning against walls or obstructions, use right side of machine with protective roller wheel for easier use and better edge cleaning.

HOSE ATTACHMENT OPERATION

1. Install hose by pushing onto connector, and add desired cleaning attachment (Figure 6).



FIG.

6

2. Turn on vacuum switch and pull UP on air flow control knob. This will direct vacuum air flow to accessory hose connector (Figure 7).



FIG.

7

3. Return vacuum control knob to closed position (DOWN) before resuming carpet cleaning.

MACHINE MAINTENANCE

To keep machine in good working condition, simply follow machine's daily, weekly and quarterly maintenance procedures.

FOR SAFETY: Before leaving or servicing machine, turn off machine and unplug cord from wall outlet.

DAILY MAINTENANCE (Every 4 Hours of Operation)

1. Check filter bag for fullness, replace or empty bag as needed. Do not reuse paper bags. Inspect cloth bag for tears or holes, replace if damaged. Do not wash cloth bag.
2. Check power cord for damage. Replace if damaged.

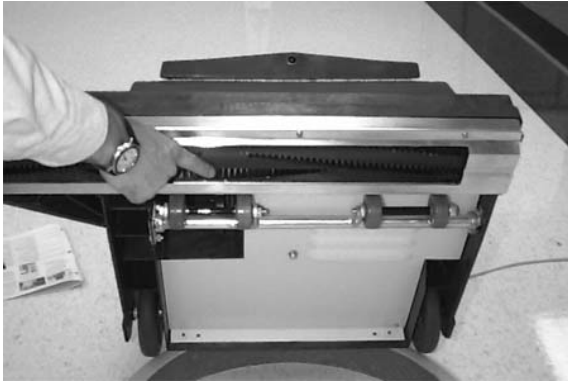
⚠ WARNING: Do Not Operate With Damaged Power Cord. Do Not Modify Plug. Unplug Power Cord Before Servicing Machine.

If the supply cord is damaged or broken, it must be replaced by the manufacturer or it's service agent or a similarly qualified person in order to avoid a hazard.

3. Turn brush adjustment knob to "STORAGE" position and wrap power cord around handle.
4. Wipe off entire machine with damp cloth.

WEEKLY MAINTENANCE (Every 20 Hours of Operation)

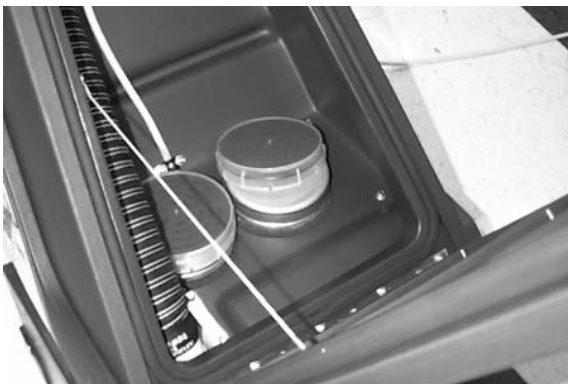
1. Inspect intake chamber for any accumulated debris. Clean if necessary (Figure 8).



8

FIG.

2. Tip machine back on handle and inspect brush area for debris, string, etc. Clean if necessary.
3. Remove vacuum motor cover from bag housing to access filters. Remove both filters from motors and clean by tapping on a hard surface. Replace motor filters, motor cover and filter bag; close door (Figure 9).



9

FIG.

4. Check door seals for cuts and wear.

QUARTERLY MAINTENANCE (Every 250 Hours of Operation)

1. Check vacuum motors for carbon brush wear, replace brushes when worn to a length of 10mm (0.38 in) or less.

Contact an Authorized Service Center for carbon brush inspection.

FOR SAFETY: When servicing machine all repairs must be performed by a qualified service person.

2. Inspect carpet brush for wear by positioning a straight edge across shoe. If bristle extension is 3 mm (0.13 in) or less, adjust brush (Figure 10).



10

FIG.

3. Check brush drive belt for proper tension and alignment.
4. Check vacuum bag for tears, replace if necessary.
5. Check for loose parts and tighten hardware.
6. Check rollers and wheels for wear and free rotation. Add 3 to 4 drops of light oil in each bearing.

ROUTINE ADJUSTMENTS

BRUSH ADJUSTMENT

FOR SAFETY: Before leaving or servicing machine, turn off machine and unplug cord from wall outlet.

If machine fails to pick up or propel properly, or bristles extension from shoe is 3 mm (0.13 in) or less, brush adjustment is required. Use following procedures:

1. Tip machine on its left side and remove eight screws holding carpet shoe in place. Remove shoe from lower housing (Figure 11).

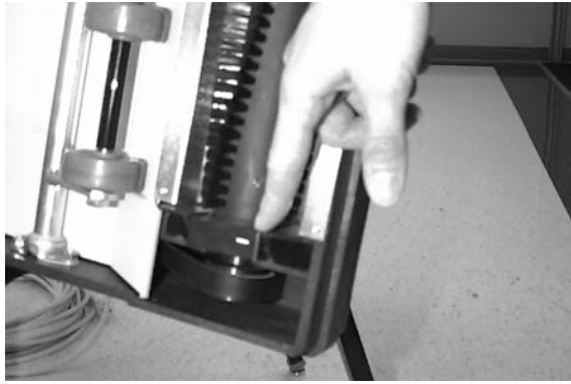


11

FIG.

2. Force drive belt from brush pulley. Notice that rubber bearing blocks have Number "1" showing (Figure 12).

OPERATION



12

3. Slide complete brush and block assembly from lower housing, and turn rubber blocks until Number "2" appears with arrows pointing toward front of machine. Install brush back into housing with Number "2" in this position. This procedure extends brush life (Figure 12).
4. This procedure may be repeated one additional time by rotating blocks to position "3". After third position is worn, brush replacement is required.

BELT ADJUSTMENT OR REPLACEMENT

FOR SAFETY: Before leaving or servicing machine, turn off machine and unplug cord from wall outlet.

1. Tip machine on its left side and remove three screws holding lower access panel in place. Remove panel from base (Figure 13).



13

2. To check brush belt tension: Push against belt in center with moderate force. It should deflect no more than 6 mm (0.25 in). If adjustment is required, loosen four screws holding motor in place. Then use a 13 mm wrench to turn motor adjustment nut clockwise until proper tension is attained. Retighten screws (Figure 14).

ATTENTION: Upper housing may have to be removed from lower housing to loosen motor screws.

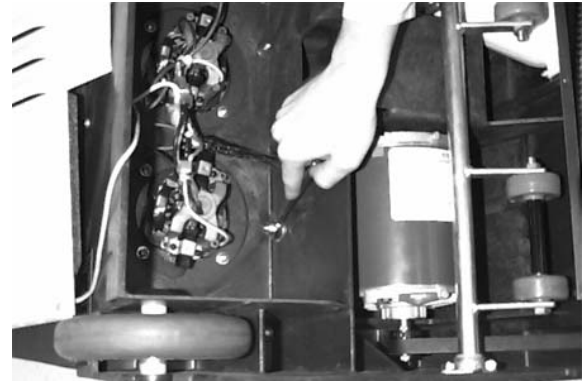


FIG. 14

3. To replace belt, follow BRUSH & BELT ADJUSTMENT instructions. Use only original equipment replacement parts.

STORING MACHINE

Prior to storing machine, wrap power cord around cord hook, clean all filters and install a new vacuum bag. Store machine in a dry area.

⚠ WARNING: Do Not Use Outdoors Or On Wet Surfaces. Do Not Expose to Rain. Store Indoors.

RECOMMENDED STOCK ITEMS

Refer to Parts List section for recommended stock items. Stock Items are clearly identified with a bullet preceding the parts description. See example below:

Ref.	Part No.	Description	Qty.
1	701103	ASM.,STANDPIPE	1
2	180613	●FLOAT, SHUTOFF	1
3	230187	NIPPLE	1
4	101714	●GASKET	1
5	210240	NUT, FLANGED	1

TROUBLE SHOOTING

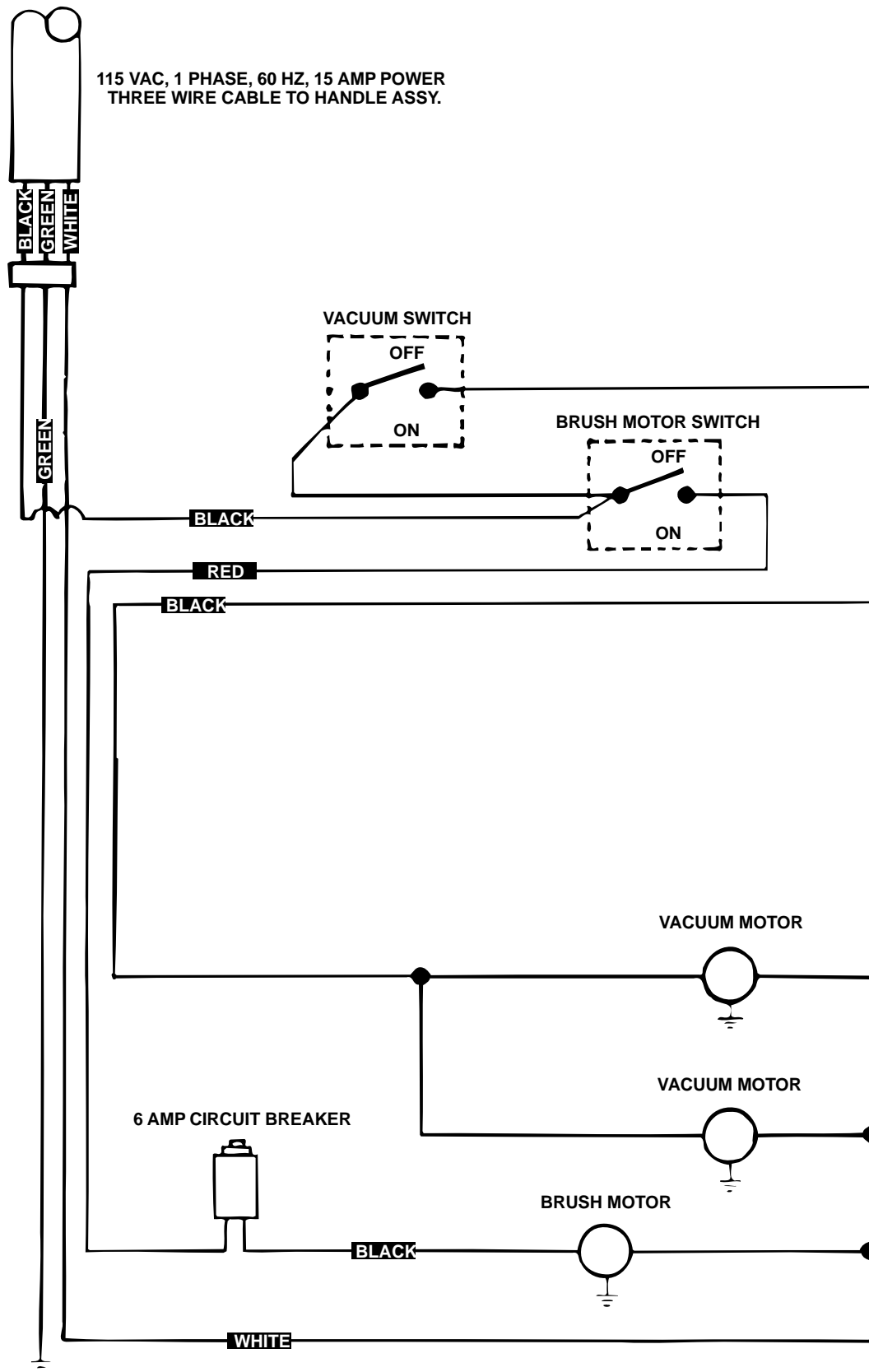
PROBLEM	CAUSE	SOLUTION
Machine not operating.	Power cord not plugged in.	Connect to power supply.
	Damaged power cord.	Contact Service Center.
	Tripped circuit breaker in building.	Reset breaker in building.
	Loose or damaged internal wiring.	Contact Service Center.
Brush not turning.	Machine circuit breaker tripped.	Reset breaker. Check for brush obstruction or low brush setting.
	Broken belt.	Replace belt.
	Belt not adjusted properly.	Readjust belt.
	Defective brush switch.	Contact Service Center.
	Defective brush motor.	Contact Service Center.
Poor pick-up.	Filter bag full.	Empty bag.
	Secondary vacuum filters dirty.	Clean and replace.
	Air flow lever in wrong position.	Move lever to proper setting.
	Brush intake area obstructed.	Check for obstruction and remove.
	Pick-up hose or housing plugged.	Check for obstruction and remove.
	Gasket leak.	Replace gasket.
	Brush not adjusted properly.	Reset brush adjustment.
	Worn brush.	Adjust or replace.
Vacuum motor not operating.	Thermal overloads activated due to plug or obstruction.	Inspect and clean.
	Vacuum switch defective.	Contact Service Center.

OPERATION

SPECIFICATIONS

MODEL	Magna Twin™ 3000
LENGTH	1010 mm (39.75 in)
WIDTH	775 mm (30.5 in)
HEIGHT	914 mm (36 in)
WEIGHT	41.28 Kg (91 lb)
CLEANING PATH WIDTH	762 mm (30 in)
COVERAGE RATE (MAX)	4,267 m ² (14,000 sq ft) per hour
VACUUM BAG	35.24 L (1 bushel)
BRUSH MOTOR	.25hp, 1200 rpm, 120V, .75A, 90W
VACUUM MOTOR	TWO 1 hp, 1–stage 5.7 in, 120V, 11A, 1320W
WATERLIFT AT SEALED ORIFICE	1219 mm (48 in)
DECIBEL RATING AT OPERATOR'S EAR, INDOORS ON CARPET	74dB(A)
POWER CORD LENGTH	23 m (75 ft)

120V WIRING DIAGRAM



UPPER HOUSING GROUP

REF	PART #	DESCRIPTION	QTY.
1	039708249	●KNOB, CHAMBER ROD	1
2	32520	NUT, HEX JAM .25-20	1
3	573084	ROD, CHAMBER	1
4	039708134	CHAMBER, VACUUM	1
5	039708234	ROD, CHAMBER ADAPTOR	1
6	039708243	PLATE, CHAMBER ADAPTOR	1
7	200053343	SCREW, M04 X 12 MM	2
8	02850	NUT, HEX LOCK M04 X 0.7 X 17	9
9	605185	E-RING	1
10	200651019	WASHER, 8.4 MM	3
11	039708239	●GASKET, CHAMBER UPPER	1
12	039708240	●GASKET, CHAMBER LOWER	1
13	039708248	SPRING SUPPORT	1
14	200756348	SCREW, M04 X 20 MM	1
15	02850	NUT, HEX LOCK M04 X 0.7 X 17	2
16	41579	WASHER, FLAT #8	8
17	039708241	SPRING, EXT .50 X 3.0 X 0.63	1
18	039708238	●GASKET, CHAMBER	1
19	140824	SCREW, TRS .25-20 X 0.62 PHL	4
20	19066	WASHER, FLAT #10	10
21	039708052	SEAL PLATE	1
22	039708051	SEAL	1
23	200031441	SCREW, M06 X 25 MM	2
24	578728	WASHER, M6.1 LOCK	6
25	200251444	SCREW, SET M6 X 30	1
26	578244000	WASHER, M6.4 X 10 LOCK	8
27	579029	NUT, M06 X 1.0	6
28	608252	●HOSE, 3" X 23" BLACK	1
29	608253	CLAMP, HOSE 4" GEAR	2
▽	039708155	ASM, VAC/GASKET	2
▲	30	●MOTOR, VAC FAN	2
▲	31	●BRUSH, CARBON (1PK = 2 BRUSHES)	2
▲	32	●GASKET, VAC MOTOR	2
▲	130133	TERMINAL (NOT SHOWN)	4

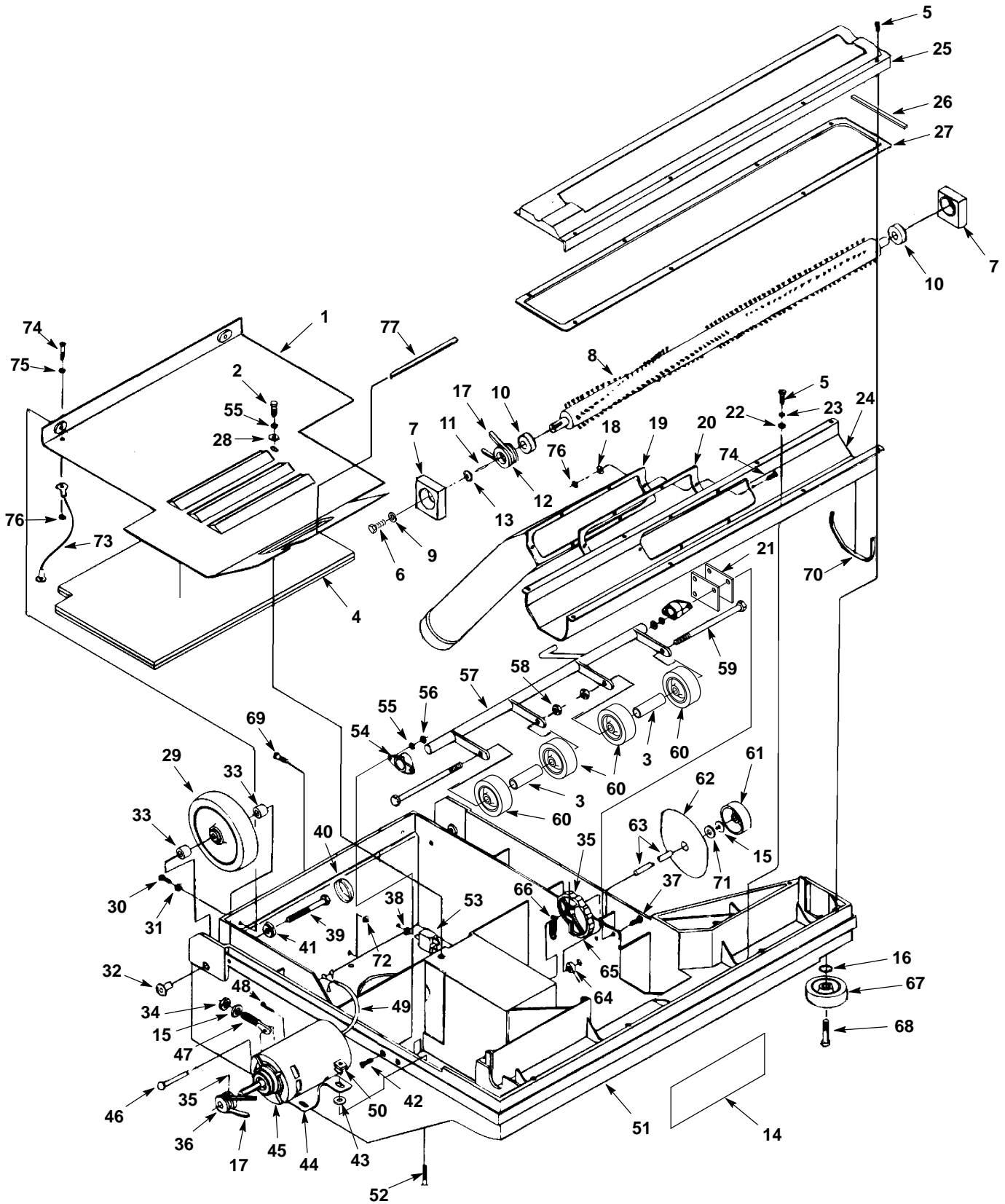
REF	PART #	DESCRIPTION	QTY.	
33	180626	●FRAME, FILTER, FOAM	2	
34	19324	WASHER, FLAT #10	8	
35	039708225	SCREW, 10-24 X 1.0 PAN PHL	8	
36	700152	ASM., WIRE 14 X 7" GRN 10 X 10	2	
37	140897	SCREW, GROUND	2	
38	08716	SCREW, HEX M6 X 1.0 X 25	6	
39	613843	CLAMP, .375 ID HALF CLIP INSUL.	1	
40	579201	SCREW, M06 X 20 MM	1	
41	19066	WASHER, FLAT #10	1	
42	08708	NUT, HEX LOCK, M6 X 1.0 NL	1	
43	039708043	PLATE, LATCH	1	
44	200631346	SCREW, M04 X 16 MM	2	
45	039708211	HINGE	1	
46	200070340	SCREW, M04 X 8 MM PAN PHL	4	
47	573086	WASHER, M4.1 X 11	9	
48	200070346	SCREW, M04 X 0.7 X 17 PAN PHL	5	
49	573060000	CABLE, DOOR	1	
50	200452107	SCREW, #10-24 X 5/8 FIL PHL	2	
51	608578	COVER, GREEN	1	
52	039708060	LATCH, SWELL COVER	1	
53	573068	●GASKET, DOOR OPENING	1	
54	039708169	COVER, VACUUM FANS	1	
55	039708244	DECAL, "WARNING VACUUM FANS"	1	
56	039708069	●BAG, VACUUM CLOTH (STANDARD)	1	
	611778	●BAG, PAPER PACK OF 10 (STANDARD)	1	
▽	57	614132	ASM., HANDLE, GREEN	1
▲	58	608484	DECAL, "MAGNA TWIN 3000"	2
▲	59	573042000	DECAL, "CAUTION VAC ON"	1
▲	60	613280	LABEL, WARNING AC VACUUM	1
	61	573404	DECAL, ELECTRICAL	1
	62	230363	SPACER, .62 X .33 X .16	1
	63	579201	SCREW, M6 X 1.0 X 20 FLTPHL	5

▽ ASSEMBLY

▲ INCLUDED IN ASSEMBLY

● RECOMMENDED STOCK ITEMS

LOWER HOUSING GROUP



LOWER HOUSING GROUP

REF	PART #	DESCRIPTION	QTY.
1	039708210	PLATE, BOTTOM COVER	1
2	363503	SCREW, PAN M6 X 1.0 X 12	1
3	140156	SPACER, .38 X .62 X 2.75	2
4	039708206	SOUND FOAM	1
5	579237	SCREW, M4 X 12	10
▽	439708910	●ASM, BRUSH/BEARING/PULLEY	1
▲ 6	069762115	SCREW, HEX 25-20 X 0.50	1
▲ 7	039708022	●BEARING, MOUNT	2
▲ 8	039708135	●ASM, BRUSH W/ PINS	1
▲ 9	140016	WASHER, LOCK 0.25	1
▲ 10	140123	●BEARING, BALL	2
▲ 11	578416	KEY, 1/8 X 1/8 X 1/2	1
▲ 12	578413	●PULLEY, 1.625" DIA BRUSH	1
▲ 13	578261000	WASHER, .31 X .83	1
14	608185	DECAL, NOBLES LOGO 6.75"	1
15	32492	WASHER, FLAT 0.38	2
16	630508	O-RING, 9.2 ID X 12.7	1
17	039708090	●V-BELT	1
18	200301014	WASHER, FLAT 4.1 MM	6
19	039708131	DEBRIS INLET	1
20	039708201	●GASKET, DEBRIS INLET	1
21	573279	BRACKET, REINFORCING ROLLER WELDMENT	2
22	41579	WASHER, FLAT #8	2
23	069760093	WASHER, LOCK #8	2
24	039708010	BRUSH CHAMBER	1
25	039708120	SKID	1
26	611768	SEAL, BRUSH 7"	2
27	039708025	SKID, GASKET	1
28	19066	WASHER, FLAT #10	1
29	039708026	●WHEEL, REAR	2
30	140823	SCREW, TRS 10-24 X 0.62 PHL	2
31	19324	WASHER, FLAT #10	2
32	573079	BUSHING, 3/8-16 X 12 X 25.4 DIA	2
33	039708254	SPACER, .44" X 0.75 X 0.31 NYLON	4
34	59156	NUT, HEX LOCK .38-16 NL	1
35	039708251	SCREW, SET, 8-32X1/2 SOC	2
36	578414	●PULLEY MOTOR	1
37	200031436	SCREW, M06 X 16 MM	3
38	140022	WASHER, INT 3/8	1

REF	PART #	DESCRIPTION	QTY.
39	039708121	SCREW, 3/8-16 X 63.5MM	2
40	150210	CAP, PLASTIC 3/8" BLACK	2
41	573081	WASHER, CAP MOUNT	2
42	579201	SCREW, M06 X 1.0 X 20 FLAT	2
43	140053	WASHER, FLAT, .28B, .88D, .12 SS	4
▽ 44	573090	●ASM, BRUSH MOTOR	1
▲ 45	605101	●MOTOR	1
▲ 46	573089	PIN, CLEVIS	1
▲ 47	573091	SCREW, .38-16 X 2.75 SPADE ZN	1
▲ 48	08170	PIN, COTTER .062 X 0.50	1
▲ 49	039708154	HARNESS, WIRE BASE	1
▲ 50	069762001	NUT, 1/4-20	4
51	101107	FRAME, LOWER CHARCOAL	1
52	140356	SCREW, 1/4-20 X 1"	4
53	069767136	CIRCUIT BREAKER, 7 AMP	1
54	039708064	●BEARING	2
55	578728	WASHER, M6.1 LOCK	6
56	579029	NUT, M06	5
57	039708029	ROLLER WELDMENT	1
58	039708223	NUT, 3/8-16	2
59	039708204	SCREW, 3/8-16 X 140MM	2
60	630477	●WHEEL, 2.00D X 0.38W GRAY	4
61	573077000	KNOB, BRUSH ADJUSTMENT	1
62	039708146	DECAL, BRUSH ADJUSTMENT	1
63	039708039	SHAFT, ADJUSTMENT CAM	1
64	039708045	COLLAR, SHAFT	1
65	039708133	CAM, ADJUSTMENT PLASTIC	1
66	039708087	SPRING, TENSION	1
67	1014918	●WHEEL, RUBBER W/BUSHING	1
68	200055499	SCREW, M08 X 40 MM	1
69	140804	SCREW, RND 10-24 X 1 PHL	1
70	611768	SEAL, BRUSH 7"	2
71	140039	WASHER, FELT	1
72	140519	NUT, KEP 10-24	3
73	573083	ASM, WIRE 16 GA. GREEN	1
74	579259	SCREW, M4 X 0.7 X 12 PAN PHL	7
75	140023	WASHER	1
76	02850	NUT, HEX LOCK M4 X 0.7	7
77	069764177	EDGING, PLASTIC .037" X .222M	1

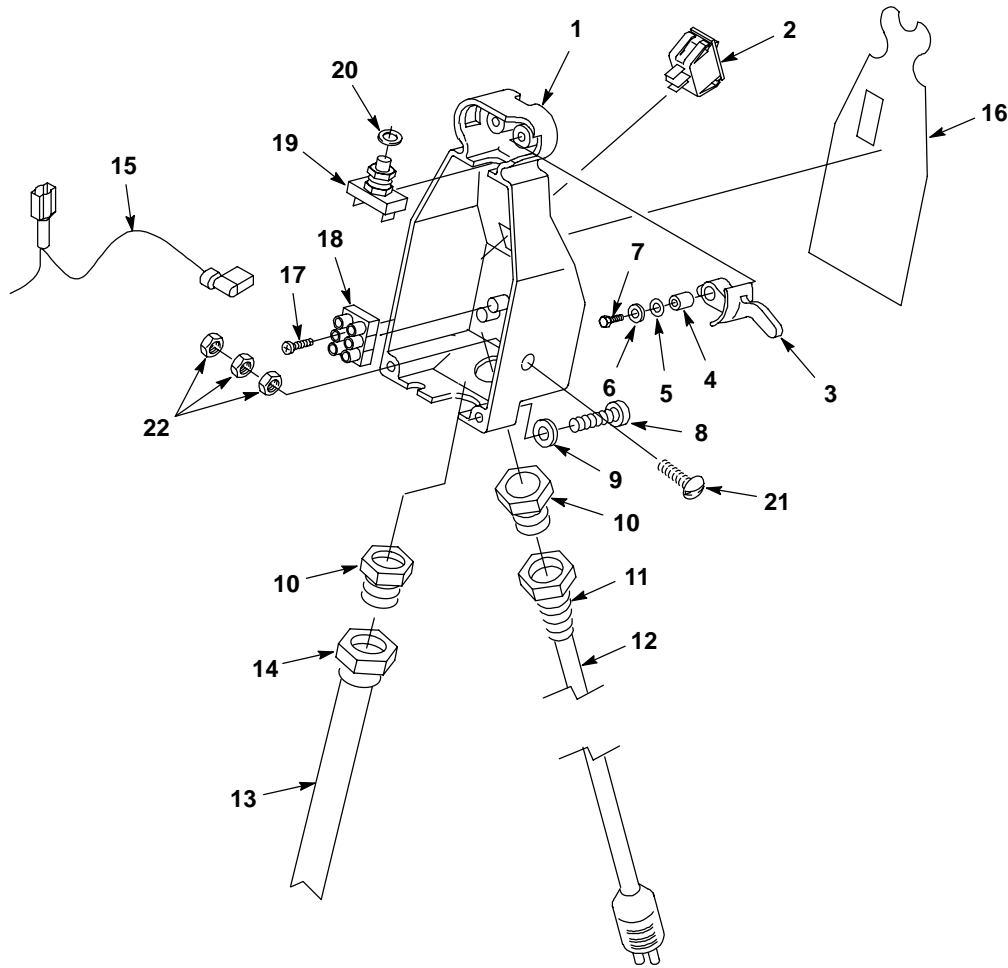
▽ ASSEMBLY

▲ INCLUDED IN ASSEMBLY

● RECOMMENDED STOCK ITEMS

PARTS LIST

CONSOLE GROUP

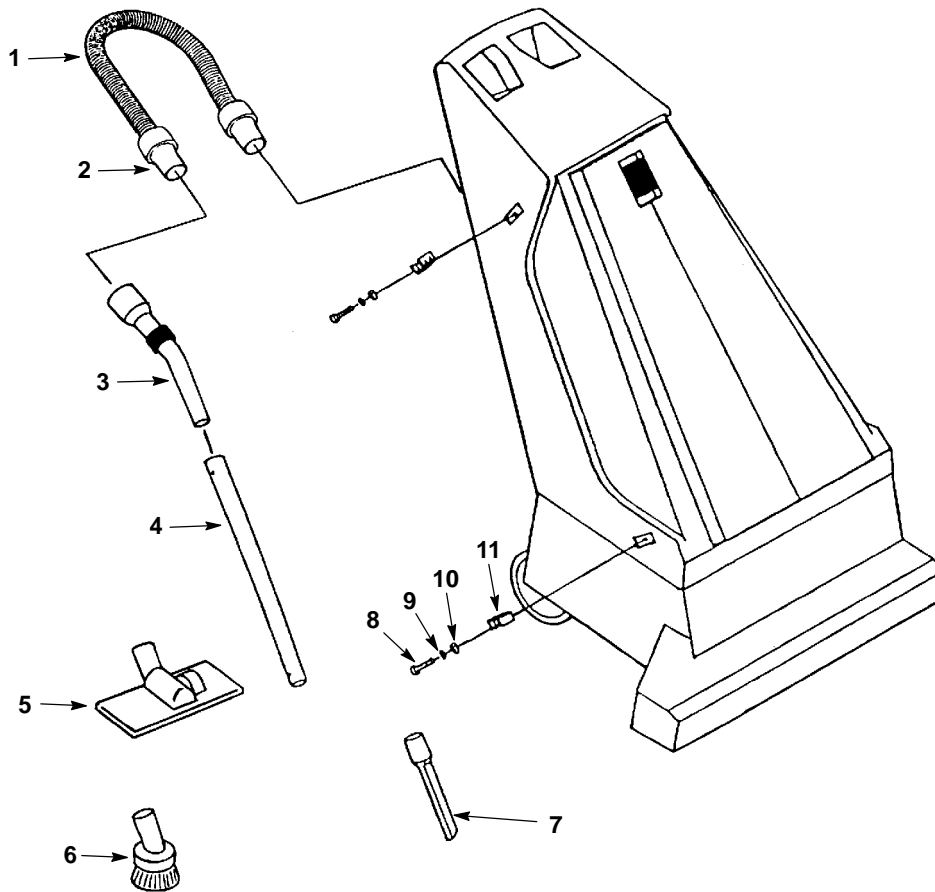


REF	PART #	DESCRIPTION	QTY.
1	575577	CONTROLBOX, TRIGGER	1
2	578005000	●SWITCH, ROCKER	1
3	578002000	ARM, TRIGGER CONTROLBOX	2
4	578082000	SPACER, TRIGGER	2
5	578186000	WASHER, M4.3 X 12 X 1.0 FLT	2
6	200662012	WASHER, M3 INT	2
7	069764190	SCREW, M03 X 16 MM	2
8	578008000	SCREW, M03 X 31.3 MM	3
9	140018	WASHER, LOCK INT #10	3
10	140504	NUT, CONDUIT LOCK 1/2"	2
11	130167	●STRAIN RELIEF	1

REF	PART #	DESCRIPTION	QTY.
12	573082	●CORD, POWER 14/3 - 75'	1
13	573059	WIRE HARNESS, 14/4	1
14	130181	●STRAIN RELIEF	1
15	578260000	ASM, WIRE 16 GA. BLACK	1
16	573406	DECAL, CONSOLE COVER	1
17	578011000	SCREW, #6 PANHD	2
18	578007000	TERMINAL BLOCK, 3 PIN	1
19	130712	●SWITCH, PUSH BUTTON	1
20	578430	WASHER, 0.50 SPRING DISC	1
21	140900	SCREW, 10-24 X .75 TRS PHL	1
22	140519	NUT, 10-24 KEP	3

● RECOMMENDED STOCK ITEMS

WAND AND HOSE KIT



REF	PART #	DESCRIPTION	QTY.
▽	573070	●KIT, WAND/HOSE ACCESSORIES	1
▲▽	606159	●ASM., HOSE 1-1/4" X 28" BLACK	1
▲ 1	160475	●HOSE, VAC 1-1/4" X 28" BLACK	1
▲ 2	160471	●CUFF, HOSE 1-1/2" TAPERED	2
▲▽	610988	●KIT, STANDARD ATTACHMENT	1
▲ 3	190902	●CHROME HOSE ATTACHMENT	1
▲ 4	605587	●WAND, TELESCOPIC CHROME	1

REF	PART #	DESCRIPTION	QTY.
▲ 5	605588	●TOOL, RUG & FLOOR W/WHEELS	1
▲ 6	190715	●TOOL, DUST BRUSH	1
▲ 7	190714	●TOOL, CREVICE	1
▲ 8	579259	SCREW, M04X12MM PAN PHL	2
▲ 9	200351014	WASHER, LOCK M4.1	2
▲ 10	140032	WASHER, #6 FLAT	2
▲ 11	573073	●CLIP, WAND 1" - 1-1/2" DIA	2

▽ ASSEMBLY

▲ INCLUDED IN ASSEMBLY

● RECOMMENDED STOCK ITEMS