



Portapac[®]

Portable Dry Vacuum
Aspiradora Ligera Transportable en la Espalda

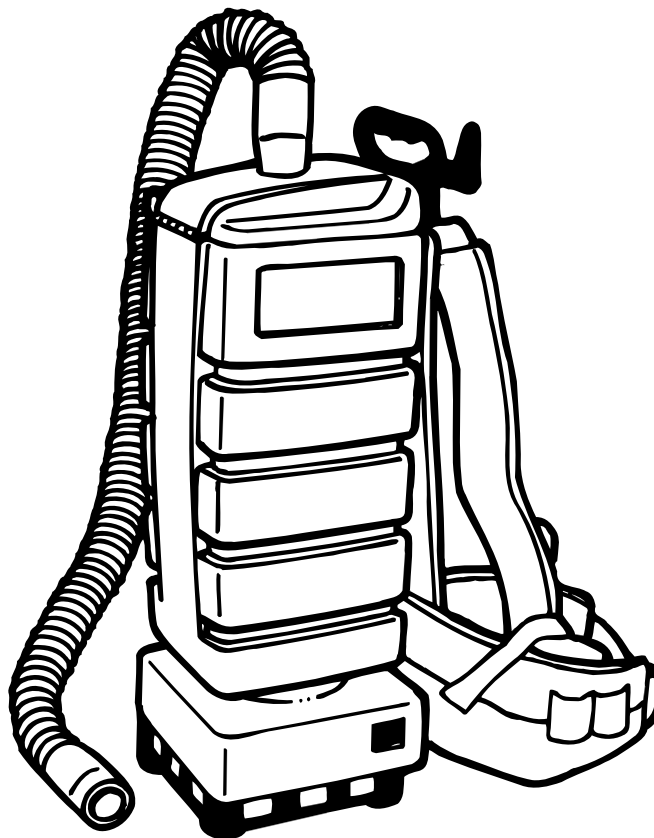
Model No.:

608232 – 120V 1.7hp

609101 – 120V 1.15hp

609228 – 120V 1.7hp (Can.)

Operator and Parts Manual
Manual del Operador y Piezas

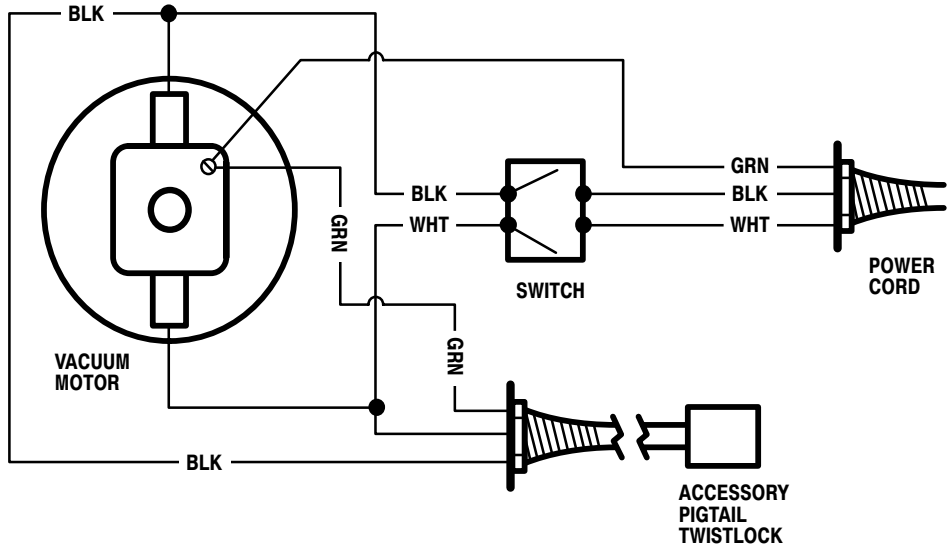


NOBLES
12875 RANSOM STREET
HOLLAND MI 49424 U.S.A.

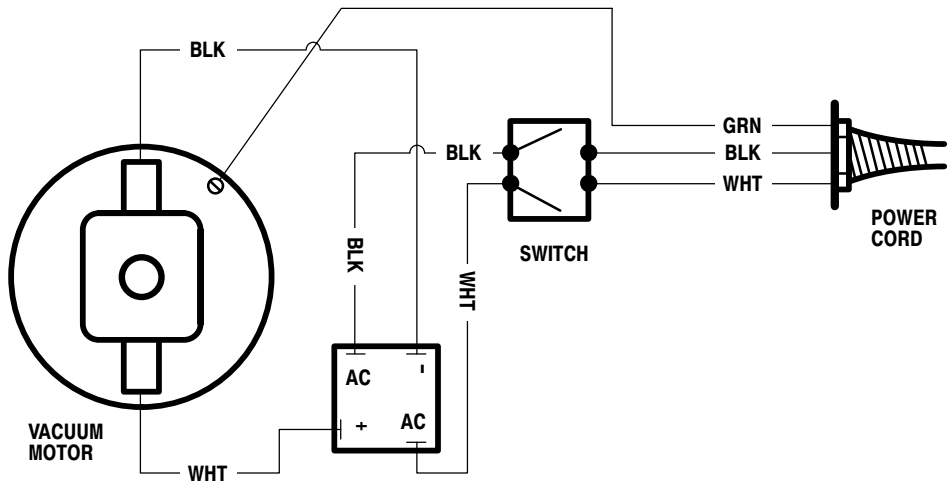
CUSTOMER SERVICE: 1-800-365-6625
FAX: 1-800-678-4240

608594
Rev. 03 (08-01)

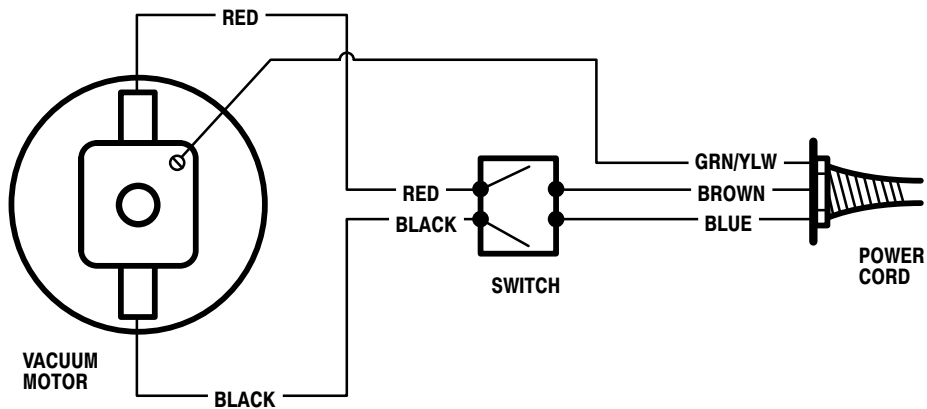
120V WIRING DIAGRAM



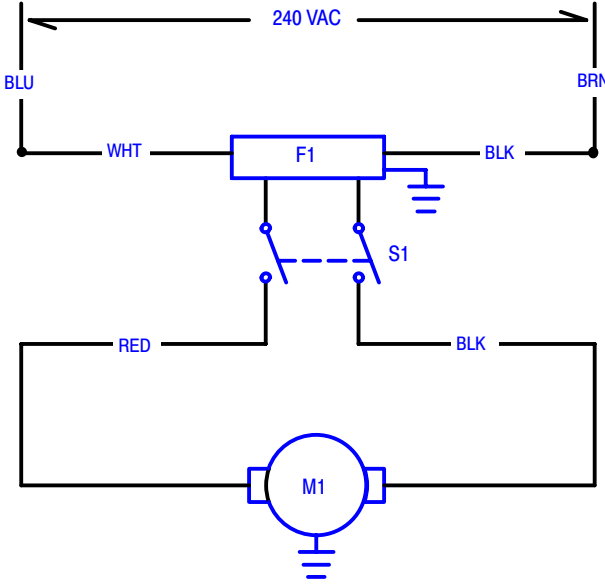
120V 400 Hz WIRING DIAGRAM



230V WIRING DIAGRAM



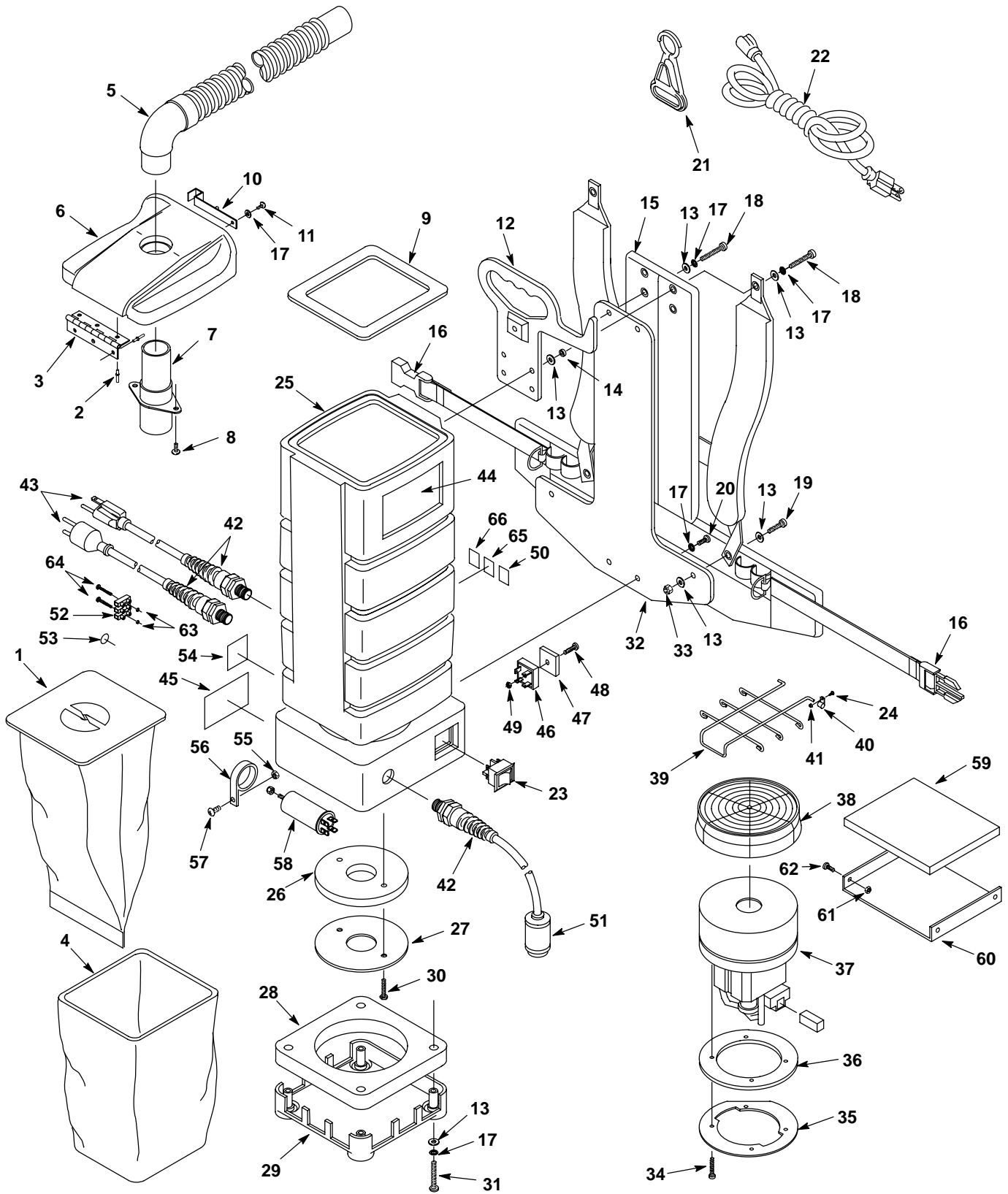
240V EMC MODEL LADDER DIAGRAM



REF LEGEND

- BLK = Black
- BRN = Brown
- BLU = Blue
- WHT = White
- RED = Red
- M1 = Motor, Vacuum
- S1 = Switch, Main
- F1 = Filter

PARTS DIAGRAM
LISTA DE PIEZAS



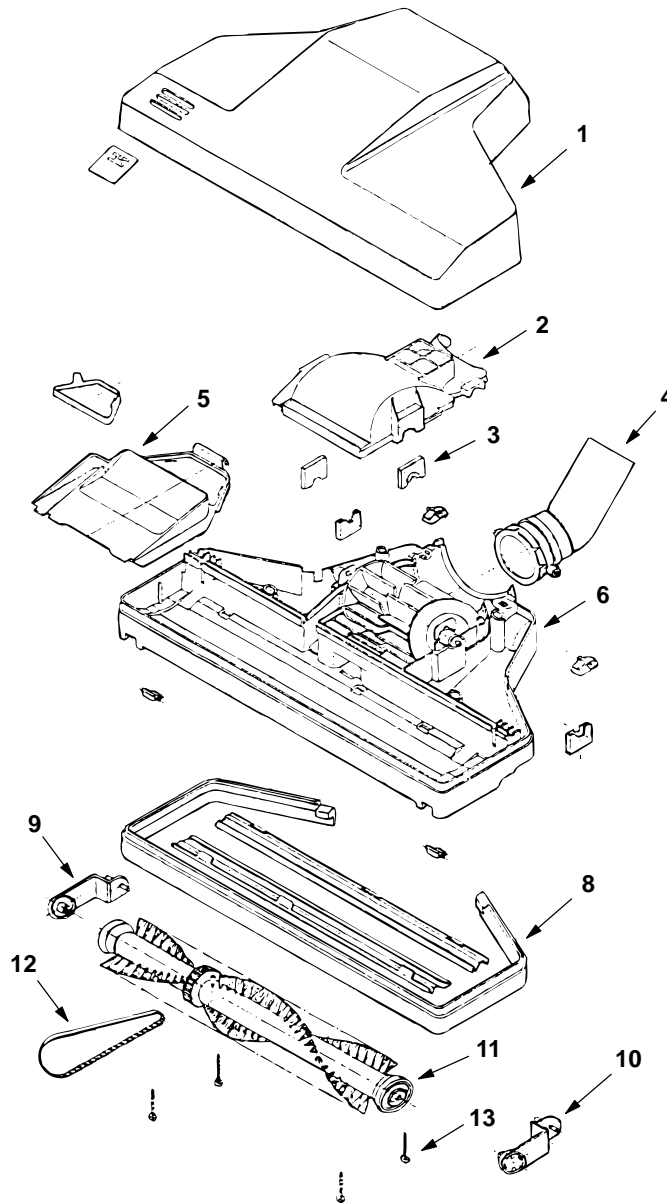
PARTS LIST
LISTA DE PIEZAS

| REF | PART # | DESCRIPTION | QTY. |
|-----|--------|--------------------------------------|------|
| 1 | 900027 | ●BAG, CLOTH | 1 |
| | 603373 | ●BAG, PAPER (10 BAGS) | 1 |
| 2 | 609264 | RIVET, POP | 6 |
| 3 | 230861 | HINGE, COVER | 1 |
| 4 | 603463 | ●BAG, SECONDARY FILTER | 1 |
| 5 | 603259 | ●HOSE, 1.5X50" 90° CUFF | 1 |
| 6 | 608595 | COVER, GREEN | 1 |
| 7 | 160485 | ADAPTER, HOSE | 1 |
| 8 | 140197 | SCREW, 10-24X3/8 | 2 |
| 9 | 102558 | ●GASKET, COVER | 1 |
| 10 | 605016 | LATCH, COVER | 1 |
| 11 | 604930 | SCREW, M5X.8X10 | 1 |
| 12 | 230415 | HANDLE | 1 |
| 13 | 140011 | WASHER, FLAT | 16 |
| 14 | 140149 | BUSHING | 2 |
| 15 | 603403 | ASM., HARNESS | 1 |
| 16 | 140939 | BUCKLE, BELT | 1 |
| 17 | 140018 | WASHER, LOCK | 11 |
| 18 | 140196 | SCREW, 10-24X1 | 4 |
| 19 | 140900 | SCREW, 10-24X3/4 | 2 |
| 20 | 140890 | SCREW, 10-24X1/2 | 2 |
| 21 | 130176 | ●STRAIN RELIEF (BELT CLIP) | 1 |
| 22 | 130246 | ●CORD, 18/3X50' 120V (609101) | 1 |
| | 130250 | ●CORD, 16/3X50' 120V (608232/609228) | 1 |
| 23 | 602669 | ●SWITCH, ROCKER (120V) | 1 |
| | 602670 | ●SWITCH, ROCKER (230V/240V) | 1 |
| 24 | 140758 | SCREW, 8-32X1/2 | 2 |
| 25 | 608608 | HOUSING, GREEN | 1 |
| 26 | 102525 | FOAM, SOUND DEADENING | 1 |
| 27 | 230520 | PLATE, BAFFLE | 1 |
| 28 | 180639 | ●FILTER, VAC MOTOR | 1 |
| 29 | 230785 | ●PLATE, BASE | 1 |
| 30 | 140751 | SCREW, 10-32X1/2 | 2 |
| 31 | 140899 | SCREW, 10-24X1 1/4 | 4 |
| 32 | 603086 | PLATE, BACK | 1 |
| 33 | 140552 | NUT, NYLOCK | 2 |
| 34 | 140750 | SCREW, 10-24X1 3/4 | 4 |
| 35 | 230639 | RING, W/TAB | 1 |
| 36 | 100122 | ●GASKET, VAC MOTOR | 1 |

| REF | PART # | DESCRIPTION | QTY. |
|-----|---------|---|------|
| 37 | 130418 | ●MOTOR, VAC 120V (609101) | 1 |
| | 190155 | ●BRUSH, CARBON (130418 MOTOR) – 2/PK | 2 |
| | 130483 | ●MOTOR, VAC 120V (608232/609228) | 1 |
| | 190160* | ●BRUSH, CARBON (130483 MOTOR) – 2/PK | 2 |
| | 130412 | ●MOTOR, VAC 230V/240V | 1 |
| | 190159 | ●BRUSH, CARBON (130412 MOTOR) – 2/PK | 2 |
| 38 | 180626 | ●FILTER, VAC MOTOR | 1 |
| 39 | 230868 | SUPPORT, WIRE BAG | 1 |
| 40 | 140326 | CLAMP | 2 |
| 41 | 28990 | NUT, LOCK | 2 |
| 42 | 130166 | ●CORD GRIP | 2 |
| 43 | 130201 | ●CORD, 16/3X28" 120V W/CORD GRIP | 1 |
| | 600398 | ●CORD, 3X1.0MM2X12M 230V/240V W/O CORD GRIP | 1 |
| 44 | 608491 | DECAL, "PORTAPAC" | 2 |
| 45 | 602595 | DECAL, WARNING | 1 |
| 46 | N/A | KIT, RECTIFIER/CARBON BRUSH | 1 |
| 47 | N/A | PLATE, HEAT SINK | 1 |
| 48 | N/A | SCREW, 6-32X1 NY | 1 |
| 49 | N/A | NUT, HEX 6-32 NY | 1 |
| 50 | N/A | DECAL, CRI | 1 |
| 51 | 603401 | ●PIGTAIL W/TWISTLOCK (608232/609228) | 1 |
| 52 | 130005 | STRIP, TERMINAL 25AMP (EMC MODEL) | 1 |
| 53 | 578859 | DECAL, GROUND SYMBOL (EMC MODEL) | 1 |
| 54 | 578729 | DECAL, READ MANUAL | 1 |
| 55 | 140552 | NUT, NYLOCK (EMC MODEL) | 1 |
| 56 | 600749 | CLAMP (EMC MODEL) | 1 |
| 57 | 140823 | SCREW, 10-24X5/8 (EMC MODEL) | 1 |
| 58 | 600383 | FILTER, RFI (EMC MODEL) | 1 |
| 59 | 606319 | FILTER, FOAM (EMC MODEL) | 1 |
| 60 | 606320 | PLATE, BAG SUPPORT (EMC MODEL) | 1 |
| 61 | 140066 | NUT, NYLOCK (EMC MODEL) | 4 |
| 62 | 590137 | SCREW, 6-32X3/8 (EMC MODEL) | 4 |
| 63 | 140534 | NUT (EMC MODEL) | 2 |
| 64 | 140946 | SCREW, 6-32X1 (EMC MODEL) | 2 |
| 65 | N/A | DECAL, KEMA/KUER (EMC MODEL) | 1 |
| 66 | N/A | DECAL, CE (EMC MODEL) | 1 |

● RECOMMENDED STOCK ITEMS/ARTICULOS RECOMENDADOS PARA MANTENER EN EXISTENCIA

**TURBO BRUSH ATTACHMENT
TURBO CEPILLO**



| REF | PART # | DESCRIPTION | QTY. |
|-----|--------|------------------------------|------|
| ▽ | 190900 | ●KIT, TURBO BRUSH ATTACHMENT | 1 |
| ▲ 1 | 190915 | COVER, COMPLETE | 1 |
| ▲ 2 | 190916 | HOUSING, TURBINE | 1 |
| ▲ 3 | 190917 | ELEMENT, ELASTIC | 1 |
| ▲ 4 | 190918 | ELBOW, SWIVEL COMPLETE | 1 |
| ▲ 5 | 190919 | FLAP, CLEANING | 1 |
| ▲ 6 | 190920 | IMPELLER | 1 |

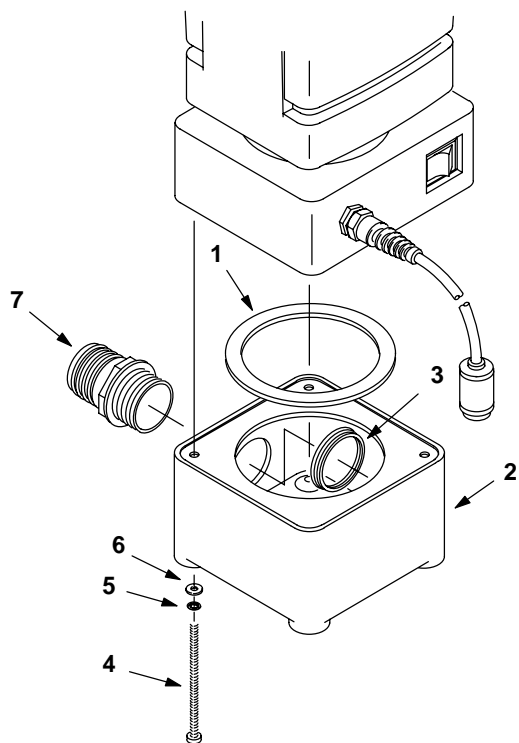
| REF | PART # | DESCRIPTION | QTY. |
|------|--------|---------------------------|------|
| ▲ 7 | 190921 | PLATE, BASE COMPLETE | 1 |
| ▲ 8 | 190922 | GUARD, BUMPER | 1 |
| ▲ 9 | 190923 | ARM, BRUSH RIGHT COMPLETE | 1 |
| ▲ 10 | 190924 | ARM, BRUSH LEFT COMPLETE | 1 |
| ▲ 11 | 190925 | ROLLER, BRUSH COMPLETE | 1 |
| ▲ 12 | 190926 | BELT, DRIVE | 1 |
| ▲ 13 | 190927 | SCREW | 4 |

▽ ASSEMBLY / CONJUNTO

▲ INCLUDED IN ASSEMBLY / INCLUIDO EN EL CONJUNTO

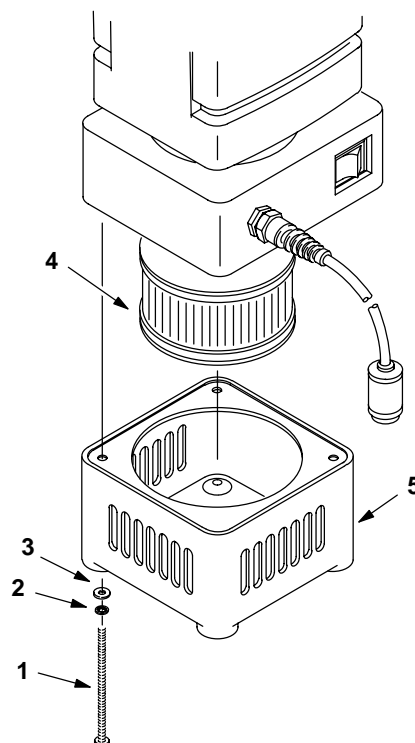
● RECOMMENDED STOCK ITEMS / ARTICULOS RECOMENDADOS PARA MANTENER EN EXISTENCIA

BLOWER ATTACHMENT KIT
EQUIPO DE ACCESORIOS DE SOPLADO



| REF | PART # | DESCRIPTION | QTY. |
|-----|--------|----------------------------|------|
| ▽ | 190939 | ●KIT, BLOWER ATTACHMENT | 1 |
| ▲ 1 | 102559 | GASKET, BLOWER | 1 |
| ▲ 2 | 100404 | HOUSING, BLOWER ATTACHMENT | 1 |
| ▲ 3 | 210240 | NUT, FLANGED | 1 |
| ▲ 4 | 140755 | SCREW, 10-24X4 1/2 | 4 |
| ▲ 5 | 140018 | WASHER, LOCK | 4 |
| ▲ 6 | 140011 | WASHER, FLAT | 4 |
| ▲ 7 | 611069 | HOSE BARB | 1 |

H.E.P.A. FILTER ATTACHMENT KIT
EQUIPO DE ACCESORIO FILTRO H.E.P.A.



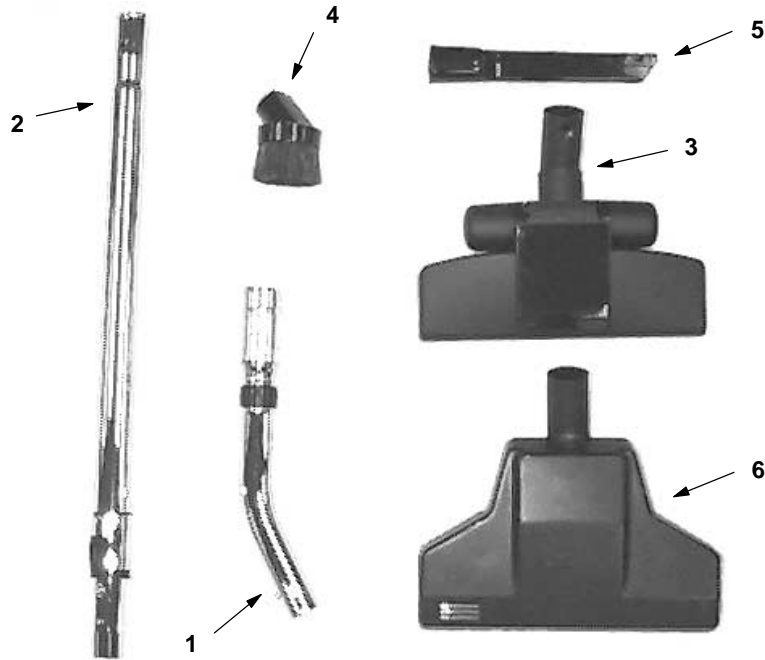
| REF | PART # | DESCRIPTION | QTY. |
|-----|--------|----------------------------------|------|
| ▽ | 190938 | ●KIT, H.E.P.A. FILTER ATTACHMENT | 1 |
| ▲ 1 | 140755 | SCREW, 10-24X4 1/2 | 4 |
| ▲ 2 | 140018 | WASHER, LOCK | 4 |
| ▲ 3 | 140011 | WASHER, FLAT | 4 |
| ▲ 4 | 230786 | FILTER, H.E.P.A. | 1 |
| ▲ 5 | 100403 | HOUSING, H.E.P.A. ATTACHMENT | 1 |

▽ ASSEMBLY / CONJUNTO

▲ INCLUDED IN ASSEMBLY / INCLUIDO EN EL CONJUNTO

● RECOMMENDED STOCK ITEMS / ARTICULOS RECOMENDADOS PARA MANTENER EN EXISTENCIA

**ATTACHMENT TOOL KIT
CAJA DE HERRAMIENTAS**



| REF | PART # | DESCRIPTION | QTY. |
|-----|--------|---|------|
| ∇ | 190910 | ●KIT, DELUXE ATTACHMENT TOOL (INCLUDES 1-6) | 1 |
| ▲∇ | 610988 | ●KIT, STANDARD ATTACHMENT TOOL (INCLUDES 1-5) | 1 |
| ▲ 1 | 190902 | HOSE END, CHROME | 1 |
| ▲ 2 | 605587 | WAND, TELESCOPIC | 1 |

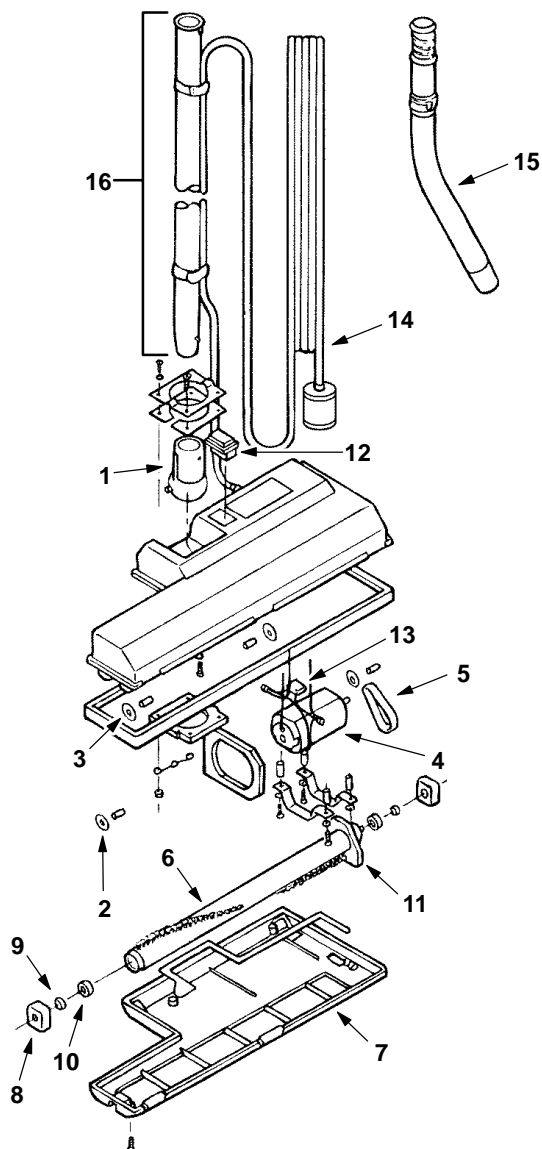
| REF | PART # | DESCRIPTION | QTY. |
|-----|--------|-------------------------|------|
| ▲ 3 | 605588 | TOOL, CARPET & FLOOR | 1 |
| ▲ 4 | 190715 | BRUSH, DUSTING | 1 |
| ▲ 5 | 190714 | TOOL, CREVICE | 1 |
| ▲ 6 | 190900 | BRUSH, TURBO (OPTIONAL) | 1 |

∇ ASSEMBLY / CONJUNTO

▲ INCLUDED IN ASSEMBLY / INCLUIDO EN EL CONJUNTO

● RECOMMENDED STOCK ITEMS / ARTICULOS RECOMENDADOS PARA MANTENER EN EXISTENCIA

ELECTRIC POWER BRUSH ATTACHMENT
ASSESORIO DE CEPILLO PARA CORRIENTE ELECTRICO



| REF | PART # | DESCRIPTION | QTY. |
|-----|--------|----------------------------------|------|
| ▽ | 603407 | ●ELECTRIC POWER BRUSH ATTACHMENT | 1 |
| ▲ 1 | 605498 | BALL, KNUCKLE | 1 |
| ▲ 2 | 605499 | WHEEL, FRONT | 1 |
| ▲ 3 | 605500 | WHEEL, REAR | 1 |
| ▲ 4 | 605501 | MOTOR, 115V | 1 |
| ▲ 5 | 605502 | BELT | 1 |
| ▲ 6 | 605503 | ASM., BRUSH | 1 |
| ▲ 7 | 605504 | ASM., BASE PLATE | 1 |

| REF | PART # | DESCRIPTION | QTY. |
|------|--------|------------------------|------|
| ▲ 8 | 52556 | BEARING, BLOCK | 1 |
| ▲ 9 | 605505 | SEAL, DUST FELT | 1 |
| ▲ 10 | 605506 | BEARING, BALL | 1 |
| ▲ 11 | 605507 | SEAL, FIBER | 1 |
| ▲ 12 | 605508 | SWITCH, ON/OFF | 1 |
| ▲ 13 | 605509 | CAPACITOR | 1 |
| ▲ 14 | 603512 | CORD, EXTENSION | 1 |
| ▲ 15 | 190902 | ELBOW, CURVED W/BUTTON | 1 |
| ▲ 16 | 606164 | WAND, BUTTON LOCK | 1 |

▽ ASSEMBLY / CONJUNTO

▲ INCLUDED IN ASSEMBLY / INCLUIDO EN EL CONJUNTO

● RECOMMENDED STOCK ITEMS / ARTICULOS RECOMENDADOS PARA MANTENER EN EXISTENCIA