

# **Power-Flite**<sup>®</sup>

**COMMERCIAL FLOOR CARE EQUIPMENT**

## WET/DRY VACUUM AND OPTIONAL SQUEEGEE ATTACHMENT



## OWNER'S MANUAL

Safety, Operation, and Maintenance Manual  
with illustrated parts list

# READ ALL INSTRUCTIONS BEFORE USING!

Congratulations on purchasing a Powr-Flite wet/dry vacuum. Given proper care, this product will afford you many years of trouble-free operation. All parts have passed rigid quality control standards before being assembled to produce the finished product.

Prior to packaging, the wet/dry vacuum is again inspected for assurance of flawless assembly. This unit is protectively packed to prevent damage in shipment. We recommend removal and inspection of unit upon delivery for possible damage in transit. Only a visual examination will reveal damage that may have occurred.

If damage is discovered, immediately notify the transportation company that delivered your wet/dry vacuum. As a shipper, we are unable to report claims for concealed damage. You must originate any claim within 5 days of delivery. This manual is for your protection and information. **PLEASE READ CAREFULLY** since failure to follow precautions could result in discomfort or injury. When using electrical equipment, basic safety precautions should always be followed.

THANK YOU FOR CHOOSING POWR-FLITE!

## TABLE OF CONTENTS

INTRODUCTION .....	2
SAFETY PRECAUTIONS (English) .....	3
SAFETY PRECAUTIONS (Spanish) (French) .....	4
GENERAL INSTRUCTIONS.....	5
ILLUSTRATED PARTS LIST.....	6-8
SQUEEGEE ATTACHEMT.....	9
MAINTENANCE GUIDE .....	10

## CARE OF THIS WET/DRY VACUUM

Treat this unit as you would any other high grade precision made product. Dropping, unreasonable bumping across thresholds and other misuses may result in a damaged unit which will not be covered by warranty. When not in use, power cord should be wrapped around handle for storage.

Read this manual completely before operating this wet/dry vacuum. It is important to follow instructions in this manual to prevent the possibility of injury or damage to the user and/or machine.



A Tacony Company  
Fort Worth, Texas 76110-4397

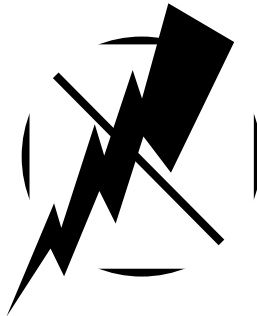
©1998 Powr-Flite, A Tacony Company, All Rights Reserved

# IMPORTANT SAFETY PRECAUTIONS

WARNING! To reduce the risk of fire, electric shock, or injury

## WARNING

*To avoid fire, DO NOT use with a flammable or combustible liquid to clean floor.*



## WARNING

*To avoid electric shock, DO NOT expose to rain. Store Indoors.*

When using this wet/dry vacuum, basic precautions should always be followed, including the following:

- 1) DO NOT leave unit when plugged in. Unplug from outlet when not in use and before servicing.
- 2) DO NOT allow unit to be used as a toy. Close attention is necessary when used around or near children.
- 3) Use only as described in this manual. Use only manufacturer's recommended attachments.
- 4) DO NOT use with damaged cord or plug. If unit is not working properly because it has been dropped, dropped into water, left outdoors, or damaged in any way, contact a service center of Powr-Flite®.
- 5) DO NOT pull or carry by cord, use cord as a handle, close door on cord, or pull cord around sharp edges or corners. DO NOT run unit over cord. Keep cord away from heated surfaces.
- 6) DO NOT unplug by pulling on cord. To unplug, grasp the plug, not the cord.
- 7) DO NOT handle plug or appliance with wet hands.
- 8) DO NOT put any objects into openings. DO NOT use with any opening blocked: keep free of dust, lint, hair, or anything that may reduce air flow.
- 9) Keep hair, loose clothing, fingers, and all parts of body away from openings and moving parts.
- 10) DO NOT pick up anything that is smoking or burning such as cigarettes, matches, or hot ashes.
- 11) DO NOT use to pick up **hazardous chemicals**.
- 12) Turn off all controls before unplugging.
- 13) Turn unit off immediately if foam or liquid comes from machine exhaust. Empty & clean out recovery (dirty) tank and use defoamer to correct the problem.
- 14) DO NOT use to pick up flammable or combustible liquids such as gasoline or use in areas where they may be present.
- 15) DO NOT use where oxygen or anesthetics are used.
- 16) DO NOT use an extension cord unless absolutely necessary. If an extension cord is used, then wire size must be #14 or larger and should not exceed 25 ft. in length.
- 17) Replace damaged or worn parts immediately with genuine original equipment parts to maintain safety.
- 18) This unit must be connected to a properly grounded outlet.

## MEDIDAS DE SEGURIDAD

**PRELUDIO:** Para reducir el riesgo de incendio, descarga eléctrica o daño:

**NO SE exponga a la lluvia  
aguas de bota de techo.  
Una descarga eléctrica  
puede suceder si se usa en  
superficies húmedas.**



**NO utilice la unidad  
para levantar líquidos  
flamables o combustibles  
como gasolina.**

## PARA SU SEGURIDAD

- 1) **NO DEJE** la aspiradora enchufada. Desconéctela cuando no la use y antes de cada servicio.
- 2) **NO PERMITE** que se use como juguete. Ponga atención cuando se use cerca de niños.
- 3) **USE SE SOLAMENTE** de acuerdo a las instrucciones y con accesorios recomendados por el fabricante.
- 4) **NO USE** con el cable o clavija dañados. Si la unidad ha sido golpeada, mojada, o dañada en cualquier modo llámese al centro de servicio o Power-Fix®.
- 5) **NO JALE** o cargue del cable, no machuque el cable o lo estire sobre objetos filosos. **NO USE** la unidad sobre el cable.
- 6) **NO DESENCHUFE** jalando el cable. Para hacerlo jale de la clavija no del cable.
- 7) **NO TOME** la clavija o el aparato con las manos mojadas.
- 8) **NO TAPÉ** objetos en las ventías. **NO USE** si alguna está tapada. Mantenga limpia de polvo, pelusa o cualquier obstrucción.
- 9) Mantenga el pelo, ropa suelta, manos y partes del cuerpo lejos de las aberturas y partes móviles.
- 10) **NUNCA** aspire objetos que manosee o humeando como cigarrillos, cenizas o bombas calientes.
- 11) No use unidad a menos que mantenga líquidos pesados.
- 12) Apague todos los controles antes de desconectar.
- 13) Limpie las unidades inmediatamente si hay espuma o líquidos saliendo de bajo de la unidad. Si esto para limpiar el tanque y también use un químico de espuma.
- 14) **NO UTILICE** la unidad para levantar líquidos inflamables o combustibles como gasolina; o use en áreas donde se encuentren estos líquidos.
- 15) Reemplacen las partes gastadas o dañadas inmediatamente para mantener la seguridad.
- 16) Esta unidad debe ser conectada a un enchufe correctamente etiquetado solamente. Ver los instructores de tierra. Si su aspiradora/soplador tiene un enchufe para una broca de potencia, apague siempre antes de conectar o desconectar la broca.
- 17) **NO USE** donde caliente o en superficies muy empapadas.
- 18) **NO USE** conexión eléctrica más que cuando sea absolutamente necesario. Si usa extensión, el cable debe ser calibre #14 o mayor y no debe exceder 50 pies de longitud. El cable extensión debe ser de 3 pines para asegurar protección de tierra.

## IMPORTANTES MEDIDAS DE SEGURIDAD

**AVERTISMIENTO:** Pour réduire les risques d'incendie, de choc électrique ou de blessure:

**NE PAS aspirer de  
matières humides.  
Ne pas exposer  
à l'intérieur.**



**NE PAS utiliser  
l'appareil avec des  
liquides inflammables  
en aspirant afin  
d'éviter d'incendie.**

## POUR VOTRE SÉCURITÉ

- 1) **NE PAS** laisser l'appareil sans surveillance lorsqu'il est branché. Débrancher lorsque l'appareil n'est pas utilisé et avant l'entretien.
- 2) **NE PAS** permettre aux enfants de jouer avec l'appareil. Une attention particulière est nécessaire lorsque l'appareil est utilisé par des enfants ou à proximité de ces derniers.
- 3) N'utiliser que conformément à cette notice avec les accessoires recommandés par le fabricant.
- 4) **NE PAS** utiliser si le cordon ou la fiche est endommagé. Retourner l'appareil à un atelier de réparation si le cordon n'est pas bien, si il est tordu ou si il a été endommagé, ou à l'utilisateur ou immergé.
- 5) **NE PAS** tirer, soulever ou tordre l'appareil par le cordon. **NE PAS** utiliser le cordon comme une poignée, le coincer dans l'embrasure d'une porte ou l'appuyer contre des arêtes vives ou des coins. **NE PAS** faire bouger l'appareil sur le cordon. Garder le cordon à l'écart des surfaces chaudes.
- 6) **NE PAS** débrancher en tirant sur le cordon. Tirer plutôt la fiche.
- 7) **NE PAS** toucher la fiche ou l'appareil lorsque vos mains sont humides.
- 8) **NE PAS** utiliser des allonges ou des prises qui n'ont plus de capacité suffisante pour transporter le courant.
- 9) **NE PAS** utiliser où l'oxygène ou les gazes sont utilisés.
- 10) **N'INSÉRER** aucun objet dans les ouvertures. **NE PAS** utiliser l'appareil lorsqu'une ouverture est bloquée. S'assurer que de la poussière, de la peluche, des cheveux ou d'autres matières ne réduisent pas le débit d'air.
- 11) Maintenir les cheveux, les vêtements amples, le collier et toutes les parties du corps à l'écart des ouvertures et des pièces mobiles.
- 12) **NE PAS** aspirer de matières en combustion ou qui dégagent de la fumée, comme des cigarettes, des allumettes ou des cendres chaudes.
- 13) **NE PAS** utiliser l'appareil pour soulever les produits chimiques dangereux.
- 14) Mettre toutes les commandes à la position **ARRÊT** avant de débrancher l'appareil.
- 15) Couper le courant immédiatement si le liquide de nettoyage sort de l'appareil. Videz et nettoyez le réservoir interm et admettez le liquide de nettoyage.
- 16) **NE PAS** aspirer des liquides inflammables ou combustibles, comme de l'essence, et ne pas faire fonctionner dans des endroits où peuvent se trouver de tels liquides.
- 17) Remplacez les parties vite à maintenir sécurité.
- 18) Ne brancher qu'à une prise de courant avec mise à la terre. Voir les instructions visant la mise à la terre.

# OPERATING INSTRUCTIONS

## DRY OPERATION OF VACUUM (1-3)

The wet/dry vacuums are equipped with bypass motors. Install the cloth filter, place the motor head on the canister and snap down the hold-down clamps.



## WET OPERATION OF VACUUM (1-3)

The wet/dry vacuums are equipped with a bypass motor so that the working vacuum is separated from the cooling air flow. To pick up water, the dry filter must be removed and the float cage assembly must be in place, the motor head placed on the canister and the hold down clamps locked down. The safety float located in the protective wire frame in the tank stops the vacuum action of the motor head when the maximum recovery of liquids is reached.

**CAUTION:** Excessive foam must be reduced with a chemical defoamer sprayed or poured into a tank. Powr-Defoamer, part number K2 is recommended. The operator must turn the motor off when the air flow is stopped



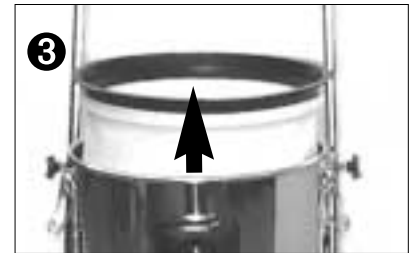
## WAND AND ATTACHMENT INSTRUCTIONS

To assemble the two piece wand:

1. Match the alignment ridges of the upper and lower wand sections.
2. Push the upper wand into the lower wand.

To assemble tools:

1. Slide the swivel cuff of the tool onto the tapered lower wand.
2. Turn swivel cuff 1/4 turn to tighten.



## DRAINING (4)

1. Release drain hose from hose clamp.
2. Remove plug from hose end to start draining process.
3. When draining is complete, replace hose plug and snap hose back into clips on side of tank.

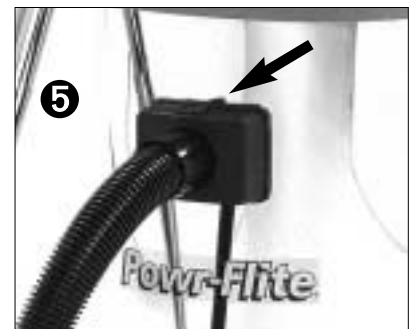


## HOSE ATTACHMENT INSTRUCTIONS (5)

The hose and swivel connector are pre-assembled at the factory.

To attach the swivel connector to the intake fitting of the canister:

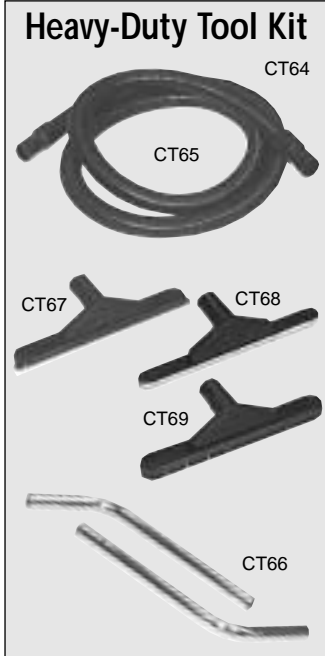
1. Push the grooved cuff straight into the intake fitting.
2. To remove, press the release button on top of the intake fitting while pulling the grooved cuff out.



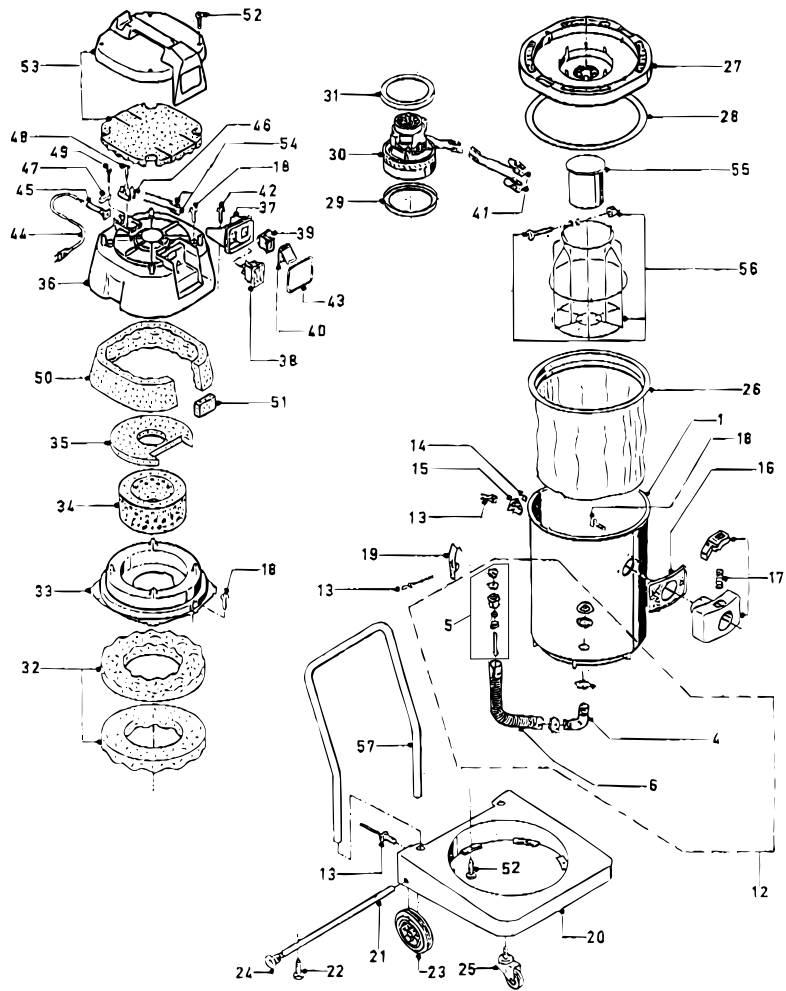
## MAINTENANCE (1-3)

The cloth filter should be cleaned each time you empty the canister. To clean cloth filter, simply shake off loose particles and brush exposed surface with a soft bristle brush. The cloth filter may be washed with a heavily diluted detergent in luke warm water. Dry completely before placing filter back in tank. The wet/dry vacuum should not be stored with any liquid inside the canister. Always empty liquid from the canister. Before storage or converting to dry pick-up, run the emptied cleaner for approximately five (5) minutes to eliminate moisture in the canister, hose, and attachments. Then unclamp the motor head and set on the edge of the tank to allow evaporation in the tank and power head.

# PARTS LIST FOR PF42, PF43

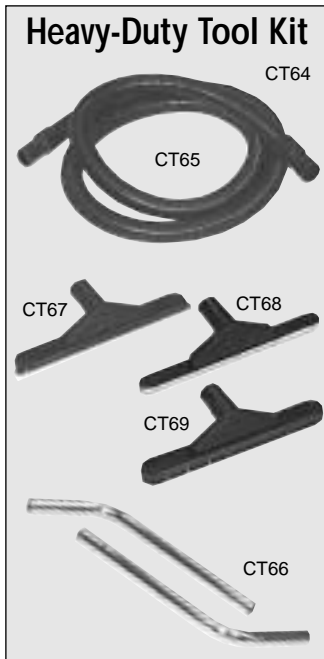


PF #	Description
CT64	Tool Kit Complete
CT66	Wand
CT67	Rug Tool
CT68	Floor Tool
CT69	Squeegee Tool

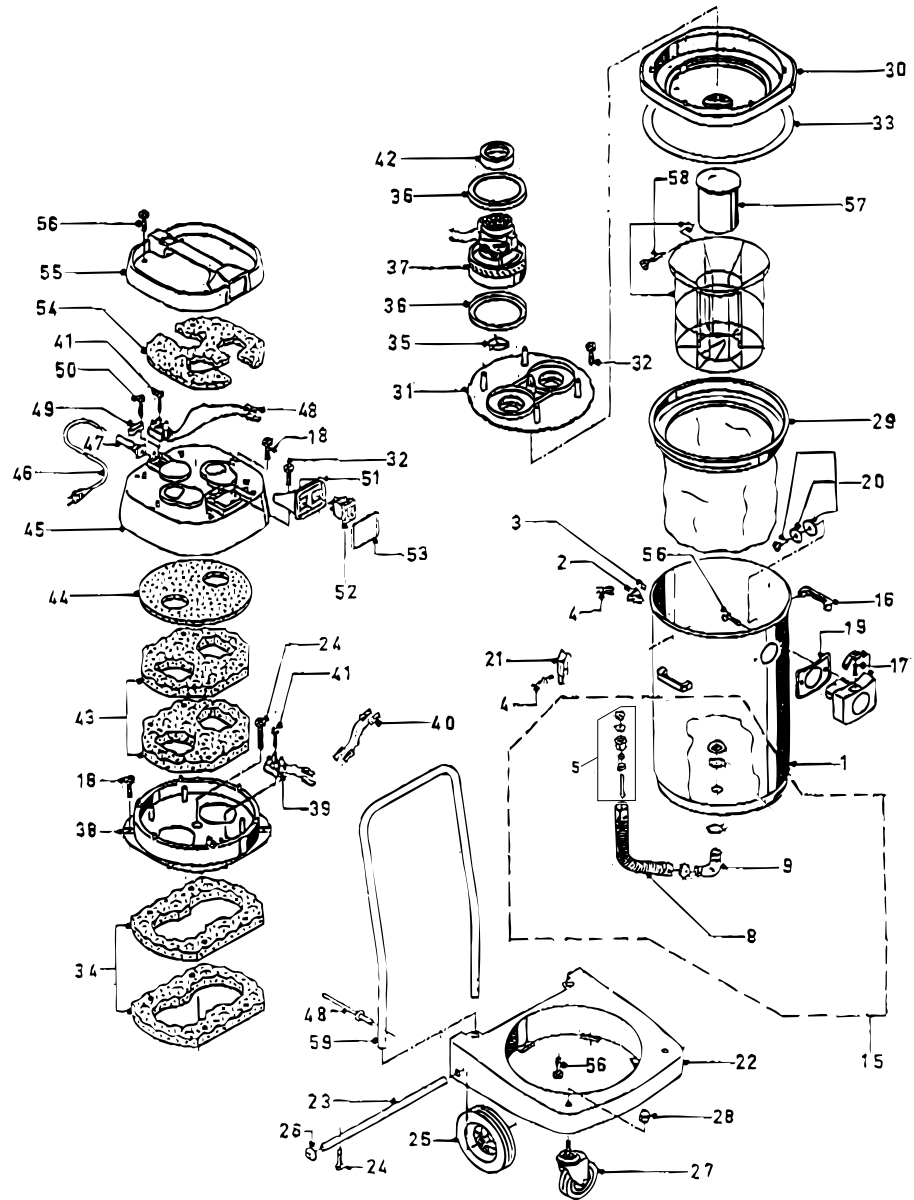


Ref. #	Order #	Description	Ref. #	Order #	Description
1	FD55	tank (order FD56 for model PF43)	33	FD78	middle housing
4	FD59	90° elbow for drain hose	34	FD77	insulator middle housing
5	FD60	drain plug complete	35	FD75	insulator top motor cover
6	FD61	black flexible hose	36	FD69	motor cover
12	FD92	tank drain set	37	FD72	switch housing
13		rivet 4.8 x 15	38	FD7	switch
14	FD94	nylon washer	39	FD86	socket
15	FD95	drain hose connection	40		plug protection
16	FD27	seal	41	FD100	motor wiring
17	FD26	complete nylon intake	42	FD71	screw
18	FD71	screw	43	FD73	switchboard seal
19	FD82	lid/tank clamp	44	FD68	16/2 30 ft cord
20	FD96	wheel base dolly	45	FD8	strain relief
21	FD97	wheel axle	46	FD21	connector block
22	FD98	axle scrow	47	FD20	bridge cable lock
23	FD99	rear wheel	48	FD67	tcc screw 3x20 sp
24	FD150	plug	49	FD18	zinked screw
25	FD102	caster wheel	50	FD74	insulator motor cover
26	FD22	complete filter unit	51	FD76	insulator switch cover
27	FD80	motor base	52	FD71	screw
28	FD47	motor base seal	53	FD65	handle head
29	FD44	bottom motor seal	54	FD70	wire connector
30	1970	motor unit	55	FD48	complete float
31	FD81	top motor seal	56	FD51	complete filter stretcher
32	FD79	insulator lower housing	57	FD101	handle

# PARTS LIST FOR PF44, PF45



PF #	Description
CT64	Tool Kit Complete
CT66	Wand
CT67	Rug Tool
CT68	Floor Tool
CT69	Squeegee Tool



Ref. #	Order #	Description
1	FD103	tank (order FD104 for PF45)
2	FD95	outlet hose connection
3	FD94	nylon washer
4		rivet 4.8x15
5	FD60	drain plug complete
8	FD61	flex hose drain
9	FD59	elbow for drain hose
15	FD105	tank drain unit
16	FD106	nylon handle
17	FD26	complete nylon intake
18	FD71	screw
19	FD27	intake seal
20	FD107	handel screw set
21	FD82	clamp assembly
22	FD108	dolly
23	FD97	wheel axle
24	FD98	multi-screw

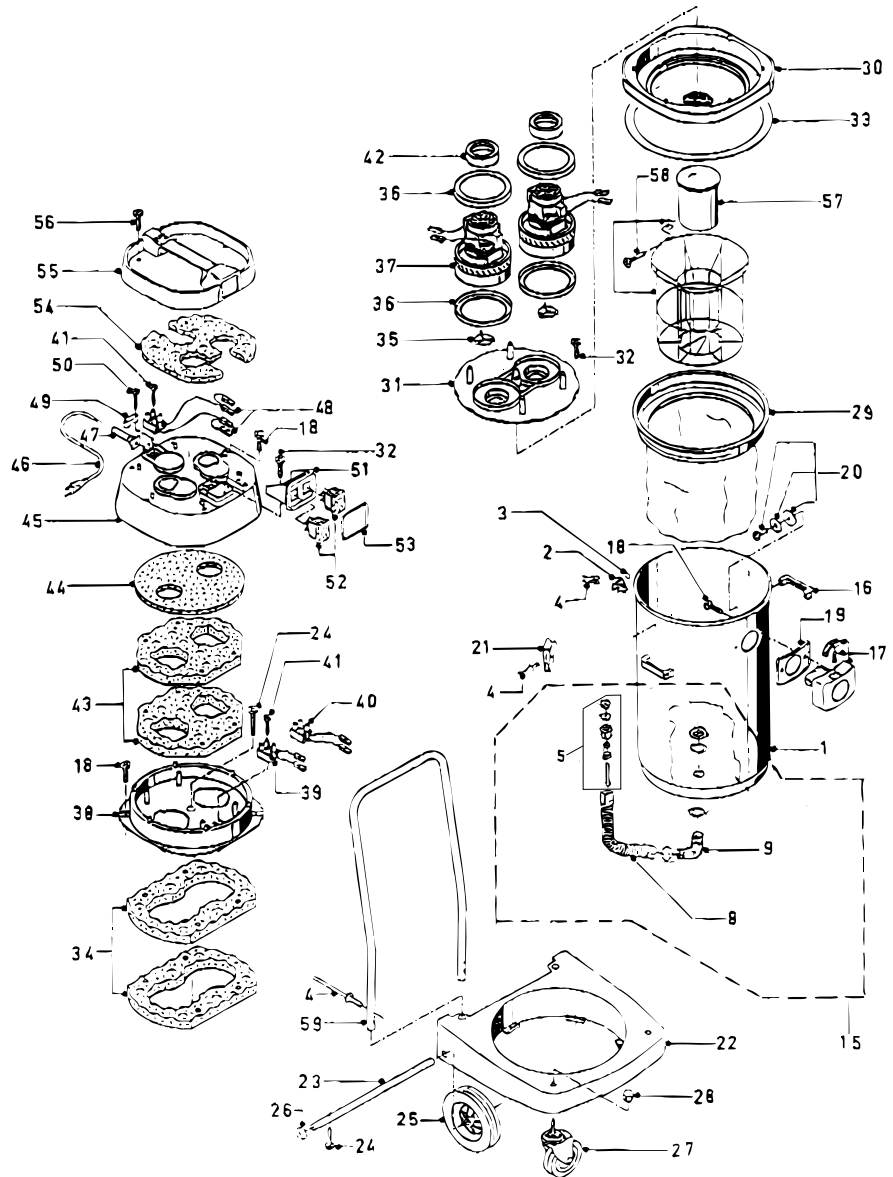
Ref. #	Order #	Description
25	FD99	rear wheel
26	FD150	plug
27	FD157	front caster wheel
28	FD28	blind nut
29	FD109	filter unit
30	FD110	lower housing
31	FD111	motor base
32	FD71	screw
33	FD112	powerhead seal
34	FD113	insulator lower
35	FD114	valve
36	FD44	motor seal
37	1970	motor unit
38	FD115	middle housing
39	FD116	2 pole clamp
40	FD117	pigtail
41	FD67	screw
42	FD118	seal

Ref. #	Order #	Description
43	FD119	insulator middle
44	FD120	insulator upper
45	FD121	motor cover
46	FD68	power cord
47	FD8	strain relief
48	FD128	feed cable
49	FD20	cable clamp
50	FD18	screw
51	FD122	switch housing
52	FD7	bipolar switch
53	FD73	switchboard seal
54	FD123	top insulator
55	FD124	handle head
56	FD66	screw
57	FD48	float
58	FD125	float cage
59	FD126	steel handle

# PARTS LIST FOR PF47

## Heavy-Duty 2" Tool Kit

PF #	Description
CT110	Flex Hose
CT111	Round Brush
CT112	Crevice Tool
CT113	Connector
CT114	Wand
CT115	Universal Tool



Ref. #	Order #	Description	Ref. #	Order #	Description	Ref. #	Order #	Description
1	FD104	steel tank	26	FD150	plug	43	FD119	insulator middle
2	FD95	outlet hose connection	27	FD108	front caster wheel	44	FD120	insulator upper
3	FD94	nylon washer	28	FD28	nut	45	FD121	motor cover
5	FD60	drain plug complete	29	FD109	filter	46	FD68	power cord
8	FD61	flex drain hose	30	FD110	motor base	47	FD8	strain relief
9	FD59	90° elbow for drain hose	31	FD111	motor base	48	FD128	feed cable
15	FD105	tank drain set	32	FD71	screw	49	FD20	cable clamp
16	FD106	nylon handle	33	FD112	powerhead seal	50	FD18	screw
17	FD26	complete nylon intake	34	FD113	insulator lower	51	FD122	switch housing
18	FD71	screw	35	FD114	valve	52	FD7	rocker switch
19	FD27	intake seal	36	FD44	motor seal	53	FD73	switch housing
20	FD107	handle screw set	37	1970	motor unit	54	FD123	top insulator
21	FD82	clamp assembly	38	FD115	middle housing	55	FD124	handle head
22	FD108	dolly	39	FD116	2 pole clamp	56	FD66	screw
23	FD97	wheel axle	40	FD127	red 2 pole clamp	57	FD48	complete float
24	FD98	multi-screw	41	FD67	screw	58	FD125	float cage
25	FD99	rear wheel	42	FD118	seal	59	FD126	steel handle



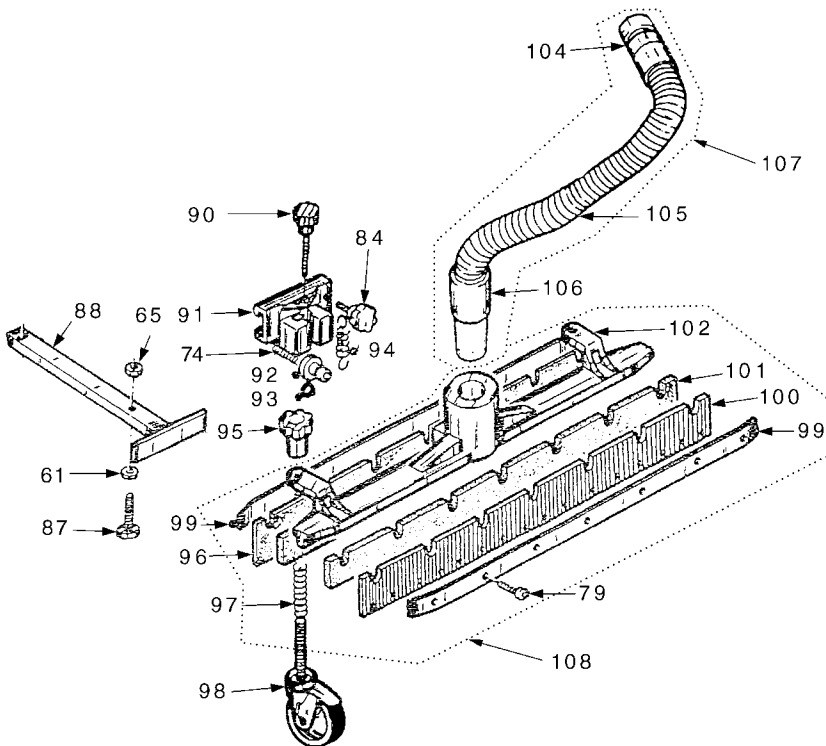
# SUPER SQUEEGEE ATTACHMENT

## Optional Equipment for use with WET/DRY VACUUM



1. Position T-bar under vacuum dolly.
2. Attach T-bar to dolly with bolts/inserts provided.
3. Slide squeegee attachment onto T-bar, center and tighten thumb screws to secure unit.
4. Attach 2 ft. connector hose.
5. To attach top of hose, push grooved cuff straight into intake tank fitting. To remove: Press latch release button, located on top of intake tank fitting, and gently pull hose cuff outward.
6. Adjust the height of the squeegee blades with the wheel alignment knobs on each wheel. Adjust squeegee blades to slightly contact floor surface across length of blades.

### Squeegee Attachment Parts List



Ref. #	Order #	Description
	CT70	Squeegee tool, complete
61	CT72	Washer
65	CT73	Nut
74	CT74	Screw
79	CT75	Screw
84	CT76	Knob
87	CT77	Screw
88	CT78	"T" iron for CT70
88	CT108	"T" iron for CT100
88	CT109	"T" iron for CT200
90	CT79	Knob
91	CT80	Slider
92	CT81	Bush
93	CT82	Plastic ring with hook
94	CT83	Spring
95	CT84	Knob
96	CT85	Rear rubber (gray)
97	CT86	Spring
98	CT87	Wheel, complete
99	CT88	Squeegee blade
100	CT89	Front rubber (gray with holes)
101	CT90	Spacer rubber (black)
102	CT91	Frame for squeegee
104	CT92	Hose end (ABS diam. 40)
105	CT93	Hose only
106	CT94	Hose end
107	CT95	Hose, complete with hose ends
107	CT97	Hose, complete with hose ends for PF47
108	CT96	Fixed squeegee body

# TROUBLE SHOOTING GUIDE

## Loss of Suction

### CAUSE:

- 1) Tank Full
- 2) Dry filter assembly clogged.
- 3) Clogged hose or wand.
- 4) Tank rim is dented.
- 5) Loose or broken fan.
- 6) Motor not working.
- 7) Float not functioning.
- 8) Seal worn.

### SOLUTION:

- 1) Empty Tank
  - 2) Clean cloth filter.
  - 3) Remove obstruction.
  - 4) Replace tank.
  - 5) Contact manufacturer or service center.
  - 6) Contact manufacturer or service center.
  - 7) Check to see if float moves freely or tank is full.
  - 8) Replace seal.
- 

## Motor is not running

### CAUSE:

- 1) Broken switch.
- 2) Defective power cord.
- 3) Defective motor.

### SOLUTION:

- 1) Contact manufacturer or service center.
  - 2) Contact manufacturer or service center.
  - 3) Contact manufacturer or service center.
- 

## Dust blowing from unit when running

### CAUSE:

- 1) Cloth filter dirty.
- 2) Cloth filter is torn.
- 3) Cloth filter is not installed.

### SOLUTION:

- 1) Clean cloth filter.
  - 2) Replace filter.
  - 3) Install cloth filter, when vacuuming very fine dust, chimney soot or sheet rock.
- 

## Water blowing from unit when running

### CAUSE:

- 1) Tank is full of liquid.
- 2) Sudsy or foamy liquid is being picked up.

### SOLUTION:

- 1) Empty tank.
- 2) Add defoamer to tank.

## ***WARRANTY***

The manufacturer warrants to the original purchaser that products manufactured are free from defects of workmanship and material, provided such goods are installed, operated and maintained in accordance with written manuals or other instructions for a period of 1 year from date of purchase. In case you, as our customer, meet any trouble with your machine, contact your Powr-Flite representative, who will be happy to be of service to you and will take care of the warranty settlement.

**NOTE:** Alterations and changes made to the machine without written approval of the manufacture and use of unapproved spare parts will not be covered by warranty.



A Tacony Company

Fort Worth, Texas 76140

©1998 Powr-Flite, A Tacony Company. All Rights Reserved