

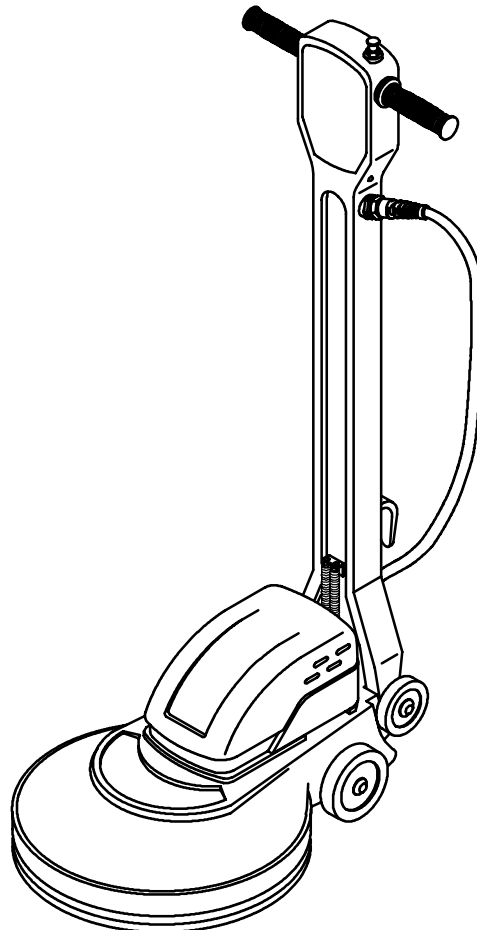


Model Part No.:
608719 - 1200
609537 - 1200 (SI)
608718 - 1600
608347 - 2000

SPEEDSHINE® 1200/1600/2000

**HIGH SPEED FLOOR BURNISHER
PULIDORA DE PISO DE ALTA VELOCIDAD
POLISSEUSE DE SOLS HAUTE VITESSE**

**OPERATOR AND PARTS MANUAL
MANUAL DEL OPERADOR Y REPUESTOS
MANUEL OPÉRATEUR ET PIÈCES**



OPERATION

This manual is furnished with each new model. It provides necessary operation and maintenance instructions and an illustrated parts list.

Read this manual completely and understand the machine before operating or servicing it.

When ordering replacement parts, use the illustrated parts lists section in this manual. Before ordering parts or supplies, be sure to have your machine model number and serial number available. Parts and supplies may be ordered by phone or mail from any authorized parts and service center, distributor or from any of the manufacturer's subsidiaries.

This machine will provide excellent service. However, the best results will be obtained at minimum costs if:

- The machine is operated with reasonable care.
- The machine is maintained regularly - per the machine maintenance instructions provided.
- The machine is maintained with manufacturer supplied or equivalent parts.

MACHINE DATA

Please fill out at time of installation for future reference.

Model No.- _____

Install. Date - _____

Serial No.- _____



PROTECT THE ENVIRONMENT

Please dispose of packaging materials, old machine components such as batteries, hazardous fluids such as antifreeze and oil, in a safe environmentally way according to your local waste disposal regulations.



Always remember to recycle.

Tennant Company

PO Box 1452

Minneapolis, MN 55440

Phone: (800) 553-8033 or (763) 513-2850

www.nobles.com

Specifications and parts are subject to change without notice.

©1999, 2002, 2006 Tennant Company. All rights reserved.

Printed in U.S.A.

TABLE OF CONTENTS	(ESPAÑOL.....11)	(FRANÇAIS....19)	
SAFETY PRECAUTIONS	4	TRANSPORTING MACHINE	9
GROUNDING INSTRUCTIONS	5	RECOMMENDED STOCK ITEMS	9
WARNING LABEL	5	TROUBLE SHOOTING	10
MACHINE COMPONENTS	6	SPECIFICATIONS	10
MACHINE SETUP	6	ELECTRICAL DIAGRAM	27
INSTALLING PAD	6	PARTS LIST	28
MACHINE OPERATION	7	HANDLE GROUP	28
MACHINE MAINTENANCE	8	BASE GROUP	30
STORING MACHINE	9		


OPERATION

SAFETY PRECAUTIONS

This machine is intended for commercial use only. It is designed exclusively to burnish floors in an indoor environment and is not constructed for any other use. Use only recommended burnishing pads and commercially available floor cleaners and waxes intended for machine application.

All operators must read, understand and practice the following safety precautions.

The following warning alert symbol and the "FOR SAFETY" heading are used throughout this manual as indicated in their description:

 **WARNING:** To warn of hazards or unsafe practices which could result in severe personal injury or death.

FOR SAFETY: To identify actions which must be followed for safe operation of equipment.

Failure to follow these warnings may result in: personal injury, electrocution, electric shock, fire or explosion:

 **WARNING:** Do Not Use Flammable Liquids Or Operate Machine In Or Near Flammable Liquids, Vapors Or Combustible Dusts.

This machine is not equipped with an explosion proof motor. The electric motor will spark upon start up and during operation which could cause a flash fire or explosion if machine is used in an area where flammable vapors/liquids or combustible dusts are present.

 **WARNING:** Do Not Operate With Damaged Power Cord. Do Not Modify Plug. Unplug Power Cord Before Servicing Machine

If the supply cord is damaged or broken, it must be replaced by the manufacturer or it's service agent or a similarly qualified person in order to avoid a hazard.

 **WARNING:** Do Not Use Outdoors. Do Not Expose to Rain. Store Indoors.

The following information signals potentially dangerous conditions to the operator or equipment:

FOR SAFETY:

1. Do not operate machine:
 - With flammable liquids or near flammable vapors as an explosion or flash fire may occur.

- Unless trained and authorized.
- Unless operator manual is read and understood.
- Unless cord is properly grounded.
- With damaged cord or plug.
- If not in proper operating condition.
- In outdoor areas.
- In standing water.
- With the use of an extension cord.

2. Before operating machine:

- Make sure all safety devices are in place and operate properly.
- Place wet floor signs as needed.
- Remove loose objects on floor to prevent dangerous projectiles if struck by spinning pad.

3. When using machine:

- Stay clear of spinning pad.
- Do not run machine over cord.
- Do not pull machine by plug or cord.
- Do not pull cord around sharp edges or corners.
- Wear non-slip shoes.
- Do not close doors on cord.
- Do not unplug by pulling on cord.
- Do not stretch cord.
- Do not handle plug with wet hands.
- Keep cord away from heated surfaces.
- Never activate the power when the handle is in the upright position.
- Do not release handles until pad comes to a complete stop.
- Go slow on inclines and slippery surfaces.
- Never allow children to play on or around.
- Report machine damage or faulty operation immediately.
- Follow mixing and handling instructions on chemical containers.

4. Before leaving machine:

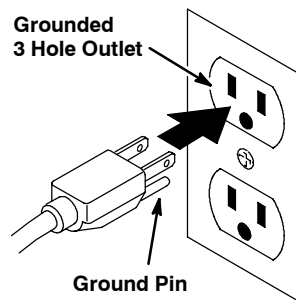
- Turn off machine.
- Unplug cord from wall outlet.

5. When servicing machine:

- Unplug cord from wall outlet.
- Avoid moving parts. Do not wear loose jackets, shirts, or sleeves.
- Use manufacturer supplied or approved replacement parts.
- All repairs must be performed by a qualified service person.
- Do not modify the machine from it's original design.

6. When transporting machine:

- Get assistance when lifting machine.
- Unplug cord from wall outlet.
- Use tie-down straps to secure machine to truck or trailer.



GROUNDING INSTRUCTIONS

Machine must be grounded. If it should malfunction or breakdown, grounding provides a path of least resistance for electrical current to reduce the risk of electrical shock. This machine is equipped with a cord having an equipment-grounding conductor and grounding plug. The plug must be plugged into an appropriate outlet that is properly installed in accordance with all local codes and ordinances. Do not remove ground pin; if missing, replace plug before use.

WARNING LABEL

The warning label appears on the machine in the location indicated. Replace label if it becomes damaged or illegible.

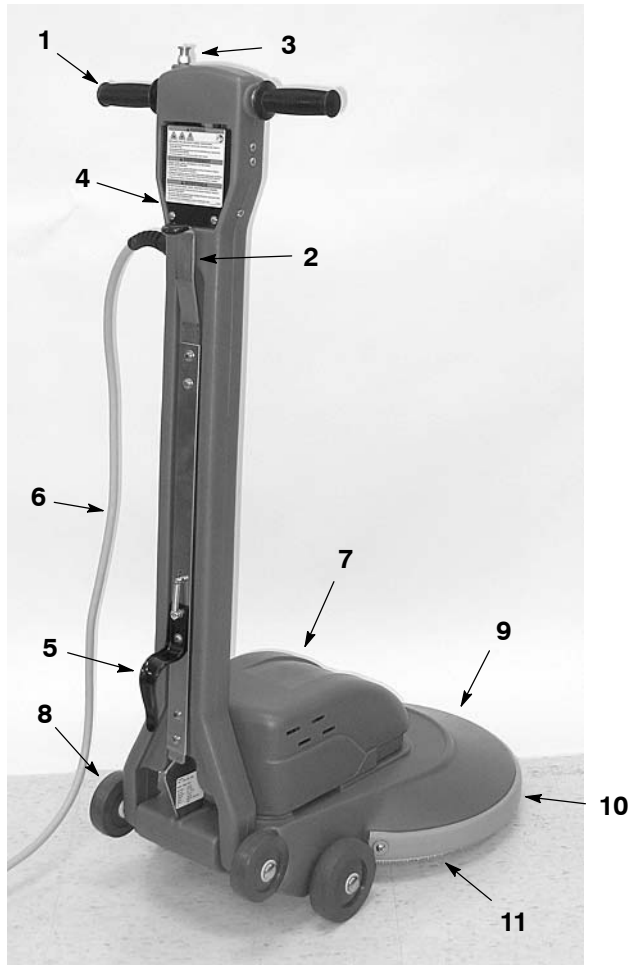


WARNING LABEL - Located on backside of machine handle.

⚠ WARNING	
EXPLOSION, FIRE AND SHOCK HAZARD. AVOID INJURY.	
<ul style="list-style-type: none"> • Do Not Use Flammable Liquids or Operate Near Flammable Liquids, Vapors or Combustible Dusts. • Do Not Operate With Damaged Power Cord. Do Not Modify Plug. Unplug Power Cord Before Servicing Machine. • Do Not Use Outdoors. Do Not Expose to Rain. Store Indoors. 	
⚠ AVERTISSEMENT	
RISQUE D'EXPLOSION, D'INCENDIE ET DE DÉCHARGE. ÉVITEZ LES BLESSURES.	
<ul style="list-style-type: none"> • N'utilisez Pas Près de Liquides Inflammables ou Près de Liquides ou Vapeurs Inflammables ou Poussières Combustibles. • N'utilisez Pas la Machine Avec un Cordon d'Alimentation Endommagé. Ne Modifiez Pas la Prise. Débranchez le Cordon d'Alimentation Avant d'Entretenir la Machine. • N'utilisez Pas en Extérieur. N'exposez Pas à la Pluie. Entrez à l'Intérieur. 	
⚠ ADVERTENCIA	
PELIGRO DE EXPLOSIÓN, FUEGO, DESCARGA EVITE LESIONES.	
<ul style="list-style-type: none"> • No Use Líquidos Flamables Y No Use Cerca De Líquidos Flamables, Vapores Ó Materiales Combustibles. • No Use Con Cable De Corriente Dañado. No Altere El Enchufe. Desconecte Cable De Corriente Antes Del Mantenimiento. • No Use Al Aire Libre. No Exponga A La Lluvia. Guarde Bajo Techo. 	
1026385	

OPERATION

MACHINE COMPONENTS



1. Power ON/OFF Twist Grips
2. Handle Release Lever
3. Safety Lock Button
4. Circuit Breaker Button
5. Power Cord Hook
6. 75 ft / 23 m Power Cord
7. Motor Cover
8. Transport Wheels
9. Burnish Head
10. Bumper
11. Burnishing Pad

MACHINE SETUP

Carefully check carton for signs of damage. Report damages at once to carrier.

INSTALLING PAD

FOR SAFETY: Before leaving or servicing machine, unplug cord from wall outlet.

1. The machine is shipped fully assembled. Pads are sold separately. Select and install a recommended pad that best meets your burnishing needs.

NOTE: Consult your authorized distributor for pad recommendations. Use only manufacturer supplied or approved pads.

2. Pull the handle release lever and raise the handle to the upright position. Carefully tilt the machine backwards and rest the handle on the floor (Figure 1).



FIG. 1

3. To install the pad, remove the plastic centerlock ring from the pad driver by turning it clockwise. Position the pad on the pad driver and replace centerlock ring by turning it counter-clockwise. Make sure the centerlock ring is fastened securely (Figure 2).

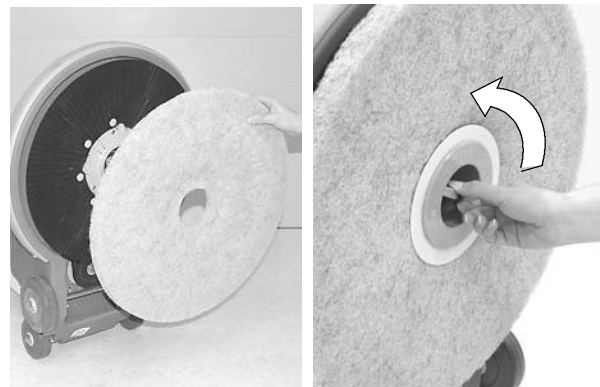


FIG. 2

4. Return machine to the upright position.

MACHINE OPERATION

FOR SAFETY: Do not operate machine unless operator manual is read and understood.

1. Plug power supply cord to a grounded wall outlet (Figure 3).

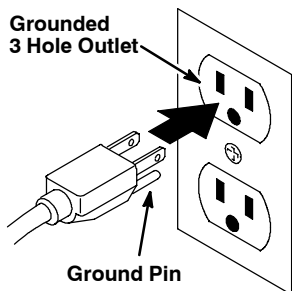


FIG. 3

⚠ WARNING: Do Not Operate With Damaged Power Cord. Do Not Modify Plug. Unplug Power Cord Before Servicing Machine.

⚠ WARNING: Do Not Use Flammable Liquids Or Operate Machine In Or Near Flammable Liquids, Vapors Or Combustible Dusts.

This machine is not equipped with an explosion proof motor. The electric motor will spark upon start up and during operation which could cause a flash fire or explosion if machine is used in an area where flammable vapors/liquids or combustible dusts are present.

2. Release the handle from the upright position by lifting the handle release lever and lowering the handle (Figure 4).



FIG. 4

NOTE: Handle does not lock while in lowered position. It is designed to allow burnish head to float freely.

3. Start machine by pressing the safety lock button and turning the twist grips forward. Release thumb from the safety lock button once machine starts (Figure 5).

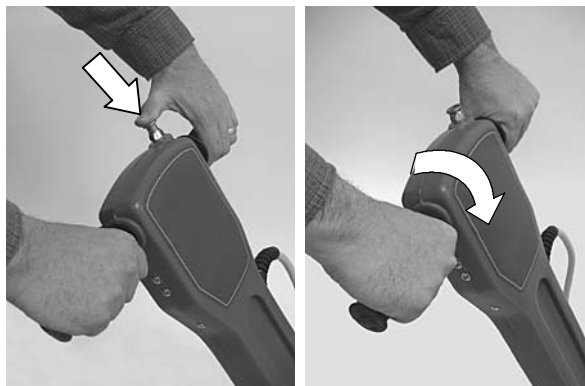


FIG. 5

ATTENTION: Use caution when starting out. Machine will jolt when twist grips are turned.

4. Begin burnishing by pushing the machine forward or using a "W" pattern motion.

FOR SAFETY: When using machine, stay clear of spinning pad.

SPRAY BUFFING INFORMATION: Spray buffing is only recommended with the 1200 model. The 1600 and 2000 models should not be used for spray buffing; circuit breaker may trip or machine overloading may occur. The 1600 and 2000 models require more power at increased amp draw due to higher speeds.

5. To prevent the possibility of motor overload and causing circuit breaker to trip, periodically check pad for excessive soil build-up. Turn pad over, clean or replace when necessary.

NOTE: If circuit breaker should trip, unplug power cord. Wait at least 15 seconds before resetting breaker switch. While waiting determine reason why circuit breaker tripped (Figure 6).



FIG. 6

OPERATION

FOR SAFETY: Before leaving machine, unplug cord from wall outlet.

6. To stop machine, rotate twist grips backward and safety lock button will engage.

FOR SAFETY: When using machine, do not release handles until pad comes to complete stop.

7. Do not operate the machine in the same spot for a long period of time. Floor damage may result.
8. To maneuver over thresholds and floor grates, stop the machine and tilt it back on the transport wheels.
9. When machine is not in use, do not leave machine standing on the pad. Pad damage may result.
10. When done burnishing perform the following machine maintenance procedures.

FOR SAFETY: When transporting machine, get assistance when lifting machine.

MACHINE MAINTENANCE

FOR SAFETY: Before servicing machine, unplug cord from wall outlet.

1. Remove and clean the pad after each use.
2. Always store machine tilted back on rear wheels.
3. Clean the machine with an all purpose cleaner after each use.
4. Inspect the power cord for damage after each use. If worn or damaged, replace cord immediately.
5. Wipe the power cord with damp cloth and neatly coil it around cord hook and handle after each use.
6. Gear system and motor are factory lubricated and require no further attention.

7. Once a month, check the tension of the drive belt. At mid-point of belt, the belt tension should have a 1/4 in / 6.4 mm deflection at 5 lb of force (Figure 7). To tighten belt, remove the pad driver and loosen the (4) pad driver pulley bracket hex head screws. Loosen the jam nut on the tension bolt and turn bolt clockwise until belt is properly adjusted, then retighten the pulley bracket screws and jam nut (Figure 8).

NOTE: A belt that is too tight nor too loose can cause early belt failure.

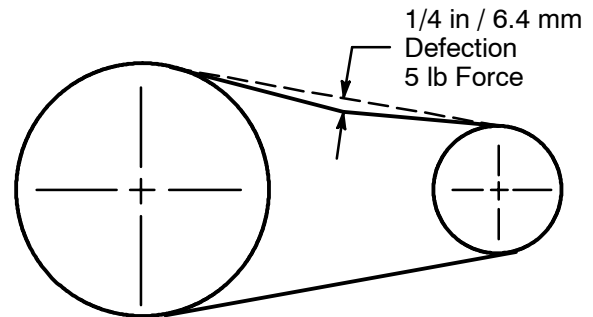


FIG. 7

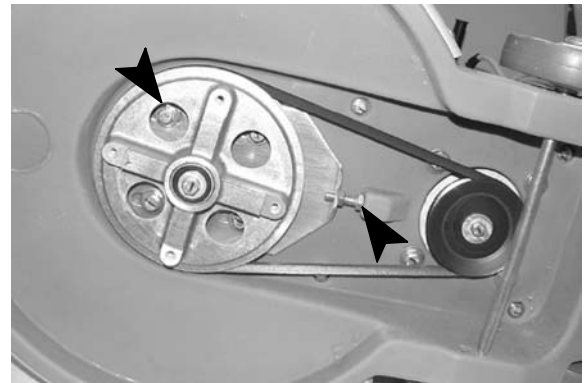


FIG. 8

8. Every 250 hours of operation, check the motor for carbon brush wear. Replace brushes when worn to a length of 3/8 in / 1 cm or less. Contact an Authorized Service Center for carbon brush inspection.

FOR SAFETY: When servicing machine, all repairs must be performed by a qualified service person.

STORING MACHINE

1. Unplug the power cord and remove the pad from the machine. Neatly coil the cord around the cord hook and handle to prevent cord damage (Figure 9).



FIG. 9

2. Store the machine in a dry area in the upright position with the handle positioned upward or folded down.

⚠ WARNING: Do Not Use Outdoors. Do Not Expose to Rain. Store Indoors.

TRANSPORTING MACHINE

1. Unplug the power cord and remove the pad from the machine. Neatly coil the cord around the cord hook and handle to prevent cord damage.
2. Load the machine using a recommended loading ramp or carefully lift the machine with adequate assistance.

FOR SAFETY: When transporting machine, get assistance when lifting machine.

3. Secure machine with tie-down straps when transporting by vehicle.

⚠ WARNING: Do Not Use Outdoors. Do Not Expose to Rain. Store Indoors.

RECOMMENDED STOCK ITEMS

Refer to the Parts List section for recommended stock items. Stock Items are clearly identified with a bullet preceding the parts description as shown (Figure 10).

Ref.	Part No.	Description	Qty.
1	701103	ASM., STANDPIPE	1
2	180613	● FLOAT, SHUTOFF	1
3	230187	NIPPLE	1
4	101714	● GASKET	1
5	210240	NUT, FLANGED	1

FIG. 10

OPERATION

TROUBLE SHOOTING

PROBLEM	CAUSE	SOLUTION
Motor does not operate.	Machine circuit breaker tripped. (Spray buffing with the 1600 and 2000 rpm models is not recommended).	Determine cause and reset breaker on machine. Wait 15 seconds before restarting machine.
	Building circuit breaker tripped.	Reset breaker and change to different circuit.
	Faulty power cord.	Contact Service Center.
	Faulty wiring.	Contact Service Center.
	Faulty twist grip switch.	Contact Service Center.
	Faulty Rectifier.	Contact Service Center.
	Faulty Motor.	Contact Service Center.
Machine circuit breaker trips continuously.	Soiled Pad.	Replace Pad.
	Improper pad for application.	Change to proper pad.
	Defective circuit breaker.	Contact Service Center.
	Worn carbon brushes in motor.	Contact Service Center.
Pad spins slowly or not at all.	Loose drive belt.	Tighten drive belt.
	Broken drive belt.	Replace drive belt.

SPECIFICATIONS

MODEL	SPEEDSHINE 1200	SPEEDSHINE 1600	SPEEDSHINE 2000
WIDTH	20.75 in / 530 mm	20.75 in / 530 mm	20.75 in / 530 mm
HEIGHT	49 in / 1,240 mm	49 in / 1,240 mm	49 in / 1,240 mm
LENGTH	29.75 in / 760mm	29.75 in / 760mm	29.75 in / 760mm
WEIGHT	68 lb / 31 kg	68 lb / 31 kg	68 lb / 31 kg
DRIVE MOTOR	120 V, 1.5 hp, 15 A, 60 Hz	120 V, 1.5 hp, 15 A, 60 Hz	120 V, 1.5 hp, 17A , 60 Hz
PAD/BRUSH SPEED	1,200 rpm	1,600 rpm	2,000 rpm
POWER CORD LENGTH	75 ft / 23 m Gauge 3 X 1.5 mm	75 ft / 23 m Gauge 3 X 1.5 mm	75 ft / 23 m Gauge 3 X 1.5 mm
PAD DIAMETER	20 in / 510 mm	20 in / 510 mm	20 in / 510 mm
DECIBEL RATING AT OPERATOR'S EAR, INDOORS ON TILE FLOOR	70 dBA	70 dBA	70 dBA

Este manual se incluye en todos los modelos nuevos. Proporciona la información necesaria para su utilización y mantenimiento.

Lea todo el manual detenidamente para comprender la máquina antes de utilizarla o revisarla.

Use la Lista de Piezas incluida en este manual al ordenar piezas de repuesto. Antes de ordenar piezas o suministros, asegúrese de tener el número de modelo y el número de serie de su máquina. Las piezas y los suministros pueden ordenarse por teléfono o por correo de cualquier centro autorizado de piezas y servicios, distribuidor de piezas o de cualquier subsidiaria del fabricante.

Esta máquina proporcionará un servicio excelente. Sin embargo, los mejores resultados se obtienen a un costo mínimo si:

- La máquina se opera con un cuidado razonable.
- La máquina se mantiene con regularidad, según las instrucciones de mantenimiento provistas.
- La máquina se mantiene con las piezas provistas por el fabricante o equivalentes.


DATOS DE LA MÁQUINA

Por favor complete al momento de la instalación para referencia futura.

No. de Modelo- _____

Fecha de instalación - _____


No. de Serie- _____



PROTECCIÓN DEL MEDIO AMBIENTE

Deseche el material de embalaje, los componentes usados de la máquina como las baterías y los líquidos peligrosos como el anticongelante y el aceite, de forma segura para el medio ambiente, de acuerdo con las normativas o disposiciones locales.

No olvide reciclar.



ÍNDICE

<p>MEDIDAS DE SEGURIDAD 12</p> <p style="padding-left: 20px;">INSTRUCCIONES PARA REALIZAR LA TOMA DE TIERRA 13</p> <p>ETIQUETA DE ADVERTENCIA 13</p> <p>COMPONENTES DE LA MÁQUINA 14</p> <p>INSTALACIÓN DE LA MÁQUINA 14</p> <p style="padding-left: 20px;">INSTALACIÓN DE LA ALMOHADILLA 14</p> <p>FUNCIONAMIENTO DE LA MÁQUINA 15</p> <p>MANTENIMIENTO DE LA MÁQUINA 16</p> <p>ALMACENAMIENTO DE LA MÁQUINA 17</p>	<p>TRANSPORTE DE LA MÁQUINA 17</p> <p>STOCK RECOMENDADO DE REPUESTOS ... 17</p> <p>LOCALIZACIÓN DE AVERÍAS 18</p> <p>ESPECIFICACIONES 18</p> <p>DIAGRAMA ELÉCTRICO 27</p> <p>LISTA DE PIEZAS 28</p> <p style="padding-left: 20px;">GRUPO DEL ASA 28</p> <p style="padding-left: 20px;">GRUPO BASE 30</p>
---	--

MEDIDAS DE SEGURIDAD

Esta máquina sólo se usa para uso comercial. Está diseñada exclusivamente para pulir pisos en un ambiente interior y no se construye para ningún otro uso. Usa sólo almohadillas recomendados y limpiadores de suelo y ceras disponibles comercialmente y ceras destinados para la aplicación de la máquina.

Todos los operadores deben leer, deben entender y deben practicar las precauciones siguientes de seguridad.

El símbolo siguiente de advertencia de alerta y el encabezamiento "FOR SAFETY" ("PARA SEGURIDAD") se usan a lo largo de este manual como se indicó en su descripción:

⚠ ADVERTENCIA: Para advertir acerca de riesgos o prácticas inseguras que podrían resultar en severas lesiones personales o la muerte.

PARA SEGURIDAD: Para identificar acciones que deben seguirse para el funcionamiento seguro del equipo.

La falla en seguir estas advertencias puede resultar en: lesión personal, electrocución, choque eléctrico, fuego o explosión:

⚠ ADVERTENCIA: No use líquidos inflamables ni opere la máquina en o cerca de Inflamable líquidos, vapores, polvos combustibles, inflamables.

Esta máquina no está provista con un motor a prueba de explosión. El motor eléctrico chispea en el arranque y durante el funcionamiento lo que podría causar un fuego explosivo o explosión si la máquina se usa en una área donde están presentes vapores/líquidos inflamables o polvos combustibles.

⚠ ADVERTENCIA: No opere con un cordón eléctrico dañado. No modifique el enchufe. Desenchufe el cordón eléctrico antes de reparar la máquina.

Si el cordón del suministro se daña o se rompe, debe ser reemplazado por el fabricante o su agente de servicio o una persona similarmente calificada para evitar un riesgo.

⚠ ADVERTENCIA: No use al aire libre o en superficies húmedas. No exponga a la lluvia. Almacene bajo techo.

La información siguiente señala condiciones potencialmente peligrosas al operador o equipo:

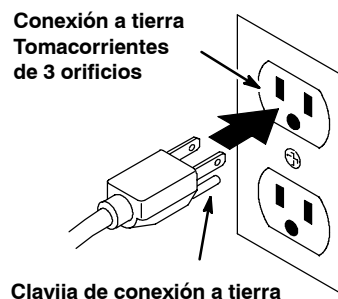
PARA SEGURIDAD:

1. No opere la máquina:
 - Con líquidos inflamables o cerca de vapores inflamables ya que puede ocurrir una explosión o fuego explosivo.
 - A menos que se capacitó y fue autorizado.
 - A menos que el manual del operador se lea y entienda.
 - A menos que el cordón se conecte apropiadamente a tierra.
 - Con un cordón o enchufe dañados.
 - Si no está en una condición apropiada de operación.
 - En áreas al aire libre.
 - En agua estancada.
 - Con el uso de una extensión de cordón.
2. Antes de operar máquina:
 - Asegúrese que todos los dispositivos de seguridad están en lugar y operan propiamente.
 - Coloque señales de piso húmedo según se necesite.
 - Quite objetos sueltos en suelo para prevenir proyectiles peligrosos si son golpeados por la almohadilla giratoria.
3. Al usar la máquina:
 - Aléjese de la almohadilla giratoria.
 - No pase la máquina encima del cordón.
 - No tire de la máquina por el enchufe o el cordón.
 - No tire del cordón alrededor de bordes o esquinas aguzados.
 - Usar zapatos antideslizantes.
 - No cierra las puertas sobre el cordón.
 - No desenchufe tirando del cordón.
 - No estire el cordón.
 - No maneje el enchufe con las manos húmedas.
 - Mantenga el cordón lejos de las superficies calientes.
 - Nunca active la potencia cuando la manija esté en posición vertical.
 - No suelte las manijas hasta que la almohadilla se detenga completa.
 - Proceda con lentitud lento en las cuestas y las superficies resbaladizas.
 - Nunca permita que los niños jueguen en o alrededor.

- Informe inmediatamente acerca daños u operación defectuosa de la máquina.
 - Siga las instrucciones de manipulación y mezcla indicadas en los envases de los productos químicos.
4. Antes de dejar la máquina:
- Apague la máquina.
 - Desenchufe cordón del tomacorriente de la pared.
5. Al reparar máquina:
- Desenchufe cordón del tomacorriente de la pared.
 - Evite las piezas móviles. No use chaquetas, camisas, o mangas, holgadas.
 - Use piezas de repuesto proporcionadas o aprobadas por el fabricante.
 - Todas las reparaciones se deben realizar por una persona cualificada para el servicio.
 - No modifique el diseño original de la máquina.
6. Al transportar máquina:
- Se requiere ayuda adecuada al alzar la máquina.
 - Desenchufe cordón del tomacorriente de la pared.
 - Use correas de amarre para asegurar la máquina a un camión o remolque.

INSTRUCCIONES PARA REALIZAR LA TOMA DE TIERRA

La máquina debe estar conectada a una toma de tierra. En caso de funcionamiento incorrecto o avería de la máquina, la toma de tierra proporciona el camino de menor resistencia a la corriente eléctrica reduciendo de este modo el riesgo de descarga eléctrica. La máquina está equipada con un cable y enchufe con toma de tierra. Conecte el enchufe en un enchufe apropiado correctamente instalado de acuerdo con los códigos y ordenanzas locales. No extraer la clavija de conexión a tierra; si falta, reemplazar el enchufe antes de usar.



ETIQUETA DE ADVERTENCIA

La etiqueta de advertencia aparece en la máquina en la ubicación indicada. Reemplace la etiqueta si se daña o es ilegible.

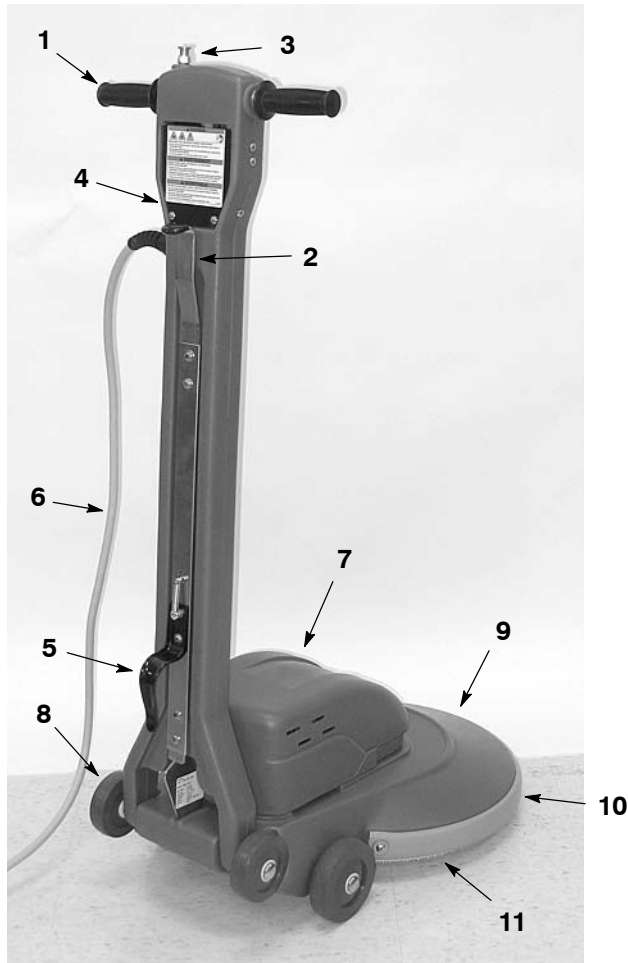


ETIQUETA DE ADVERTENCIA - Ubicada en el reverso de la manija de la máquina.

⚠ WARNING			
EXPLOSION, FIRE AND SHOCK HAZARD. AVOID INJURY. • Do Not Use Flammable Liquids or Operate Near Flammable Liquids, Vapors or Combustible Dusts. • Do Not Operate With Damaged Power Cord. Do Not Modify Plug. Unplug Power Cord Before Servicing Machine. • Do Not Use Outdoors. Do Not Expose to Rain. Store Indoors.			
⚠ AVERTISSEMENT			
RISQUE D'EXPLOSION, D'INCENDIE ET DE DÉCHARGE. ÉVITEZ LES BLESSURES. • N'utilisez Pas Près de Liquides Inflammables ou Près de Liquides ou Vapeurs Inflammables ou Poussières Combustibles. • N'utilisez Pas la Machine Avec un Cordon d'Alimentation Endommagé. Ne Modifiez Pas la Prise. Débranchez le Cordon d'Alimentation Avant d'Entretenir la Machine. • N'utilisez Pas en Extérieur. N'Exposez Pas à la Pluie. Entrezposez à l'Intérieur.			
⚠ ADVERTENCIA			
PELIGRO DE EXPLOSIÓN, FUEGO, DESCARGA EVITE LESIONES. • No Use Líquidos Flamables Y No Use Cerca De Líquidos Flamables, Vapores O Materiales Combustibles. • No Use Con Cable De Corriente Dañado. No Altere El Enchufe. Desconecte Cable De Corriente Antes Del Mantenimiento. • No Use Al Aire Libre. No Exponga A La Lluvia. Guarde Bajo Techo.			
			1026385

OPERACIÓN

COMPONENTES DE LA MÁQUINA



1. Mandos giratorios Encendido/Apagado
2. Palanca de desenganche de la manija
3. Palanca de bloqueo de seguridad
4. Botón de reajuste del cortacircuitos
5. Gancho para el cable eléctrico
6. 75 ft / 23 m cable eléctrico
7. Caja del Motor
8. Ruedas de transporte
9. Base del cabezal de fregado
10. Parachoques
11. Almohadilla de pulido

INSTALACIÓN DE LA MÁQUINA

Controle cuidadosamente si la caja presenta signos de deterioro. Si existieran desperfectos, informe inmediatamente al transportista.

INSTALACIÓN DE LA ALMOHADILLA

PARA SU SEGURIDAD: Antes de abandonar o revisar la máquina, desconecte el cable del enchufe de la pared.

1. La máquina se envía completamente ensamblada. Las almohadillas se venden separadamente. Seleccione e instale una almohadilla recomendada que mejor satisfaga sus necesidades de pulido.

NOTA: Consulte a su distribuidor autorizado para recomendaciones de almohadillas. Use sólo almohadillas provistas o aprobadas por el fabricante.

2. Tire de la palanca de desenganche de la manija y eleve la manija a la posición vertical. Inclíne cuidadosamente la máquina hacia atrás y apoye la manija sobre el piso (Figura 1).



FIG. 1

3. Para instalar la almohadilla, extraiga el anillo plástico central de calce del impulsor de la almohadilla girándolo en sentido de las agujas del reloj. Coloque en posición la almohadilla en el impulsor de la almohadilla y vuelva a colocar el anillo central de calce girándolo en el sentido contrario de las agujas del reloj. Asegúrese que el anillo central de calce esté bien fijo (Figura 2).

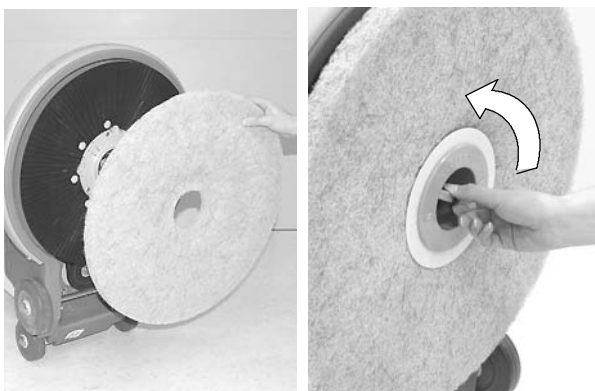


FIG. 2

4. Devuelva la máquina a la posición vertical.

FUNCIONAMIENTO DE LA MÁQUINA

PARA SU SEGURIDAD: No utilice la máquina salvo que haya leído y comprendido el manual del operario.

1. Enchufe el cable eléctrico en una toma de la pared con toma de tierra (Figura 3).

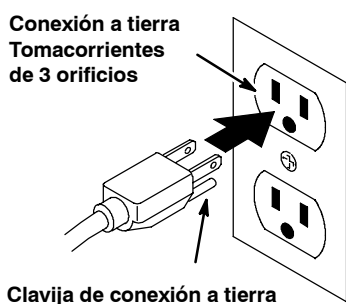


FIG. 3

⚠ ADVERTENCIA: No opere con un cordón eléctrico dañado. No modifique el enchufe. Desenchufe el cordón eléctrico antes de reparar la máquina.

⚠ ADVERTENCIA: No use líquidos inflamables ni opere la máquina en o cerca de Inflamable líquidos, vapores, polvos combustibles, inflamables.

Esta máquina no está provista con un motor a prueba de explosión. El motor eléctrico chispea en el arranque y durante el funcionamiento lo que podría causar un fuego explosivo o explosión si la máquina se usa en una área donde están presentes vapores/líquidos inflamables o polvos combustibles.

2. Desenganche la manija de la posición vertical elevando la palanca de desenganche de la manija y bajando la manija (Figura 4).



FIG. 4

NOTA: La manija no se calza mientras está en la posición baja. Está diseñada para permitir que el cabezal de pulido flote libremente.

3. Arranque la máquina oprimiendo el botón de calce de seguridad y girando hacia adelante las empuñaduras giratorias. Levante el pulgar del botón de calce de seguridad una vez que arranca la máquina (Figura 5).

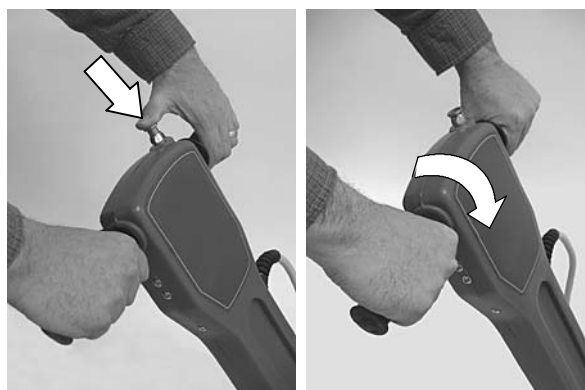


FIG. 5

ATENCIÓN: Sea precavido al arrancar. La máquina se sacude cuando se giran las empuñaduras giratorias.

4. Comience a pulir empujando la máquina hacia adelante o usando un patrón de movimiento en "W".

POR SEGURIDAD: Al usar la máquina, permanezca alejado de la almohadilla giratoria.

INFORMACION DE PULIDO CON ROCIADO: El pulido con rociado se recomienda sólo el modelo 1200. Los modelos 1600 y 2000 no deben usarse para pulido con rociado; el interruptor de circuito puede activarse o puede ocurrir una sobrecarga de la máquina. Los modelos 1600 y 2000 requieren más electricidad a una absorción mayor de amperios debido a mayores velocidades.

OPERACIÓN

5. Para impedir la posibilidad de sobrecarga del motor y la activación del interruptor de circuitos, inspeccione periódicamente la almohadilla por una acumulación excesiva de suciedad. Revierta la almohadilla, limpie o reemplace cuando sea necesario.

NOTA: *Desenchufe el cordón eléctrico si el interruptor de circuitos se activa. Espere 15 segundos por lo menos antes de regraduar el conmutador del interruptor. Mientras espera determine la razón por la cual se activó el interruptor de circuitos (Figura 6).*



FIG. 6

PARA SU SEGURIDAD: Antes de abandonar la máquina, desconecte el cable del enchufe de la pared.

6. Para detener la máquina, gire las empuñaduras de giro hacia atrás y el botón de calce de seguridad se engancha.

PARA SU SEGURIDAD: Al utilizar la máquina, no suelte los mandos hasta que la almohadilla se haya detenido totalmente.

7. No utilice la máquina en el mismo lugar durante mucho tiempo. Podría deteriorar el suelo.
8. Para maniobrar sobre umbrales y rejillas, detenga la máquina e inclínela hacia atrás hasta situarla sobre las ruedas de transporte.
9. No deje la máquina vertical sobre el cepillo/almohadilla cuando no la utilice. Podría deteriorar el cepillo o la almohadilla.
10. Una vez finalizada la operación de fregado, realice las siguientes operaciones de mantenimiento de la máquina.

PARA SEGURIDAD: Obtenga asistencia al levantar la máquina.

MANTENIMIENTO DE LA MÁQUINA

PARA SU SEGURIDAD: Antes de revisar la máquina, desconecte el cable del enchufe de la pared.

1. Extraiga y limpie la almohadilla después de cada uso.
2. Siempre almacene la máquina inclinada hacia atrás sobre las ruedas posteriores.
3. Limpie la máquina con un limpiador universal después de cada uso.
4. Compruebe si el cable eléctrico está deteriorado después de cada uso. En caso de estar deteriorado, sustitúyalo inmediatamente.
5. Limpie con un paño húmedo el cable eléctrico y enróllelo cuidadosamente alrededor del mando y colóquelo en su gancho después de cada uso.
6. El sistema de engranajes y el motor están lubricados de fábrica y no requieren atención adicional.
7. Una vez por semana inspeccione la tensión de la correa impulsora. En el punto medio de la correa, la tensión de la misma debe tener una deflexión de 1/4 pulg / 6.4 mm a 5 lb de fuerza (Figura 7). Para ajustar la correa, extraiga el impulsor de la almohadilla y afloje los cuatro (4) tornillos de cabeza hexagonal del soporte de la polea impulsora de la almohadilla. Afloje la contratuerca en el perno de tensión y gire el perno en el sentido de las agujas del reloj, a continuación reajuste los tornillos del soporte de la polea y la contratuerca (Figura 8).

NOTA: *Una correa que está demasiado ajustada ni está demasiado floja puede causar una falla prematura de la misma.*

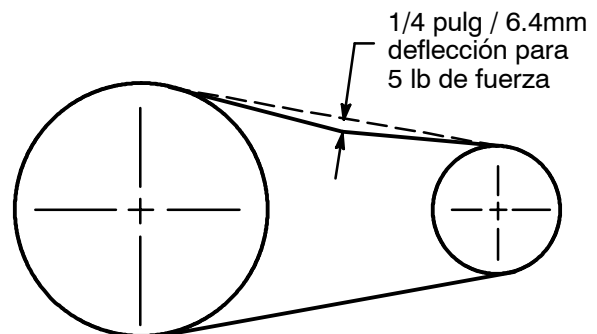


FIG. 7

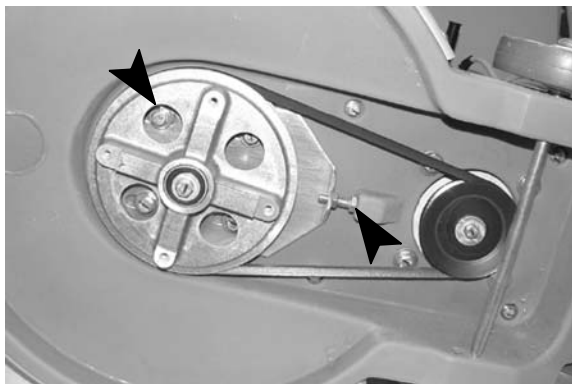


FIG. 8

8. Controle el desgaste de las escobillas de carbono del motor cada 250 horas de utilización. Sustituya los cepillos cuando la longitud de sus cerdas sea igual o inferior a 3/8 pulg / 1 cm debido al desgaste. Para la inspección de las escobillas de carbón consulte con su Centro Autorizado de Servicio.

PARA SU SEGURIDAD: Al reparar máquina, todas las reparaciones se deben realizar por una persona cualificada para el servicio.

ALMACENAMIENTO DE LA MÁQUINA

1. Desenchufe el cordón eléctrico y extraiga la almohadilla de la máquina. Enrolle prolijamente el cordón alrededor del gancho del cordón y el mango (Figura 9).



FIG. 9

2. Almacene la máquina en un área seca en la posición vertical con la manija colocada en posición vertical o plegada.

⚠ ADVERTENCIA: No use al aire libre. No exponga a la lluvia. Almacene bajo techo.

TRANSPORTE DE LA MÁQUINA

1. Desenchufe el cordón eléctrico y extraiga la almohadilla de la máquina. Enrolle prolijamente el cordón alrededor del gancho del cordón y el mango.
2. Guarde la máquina en posición vertical en un lugar seco.

PARA SEGURIDAD: Al transportar máquina, obtenga asistencia al levantar la máquina.

3. Asegure la máquina con las bandas de amarre cuando sea transportada por camión.

⚠ ADVERTENCIA: No use al aire libre. No exponga a la lluvia. Almacene bajo techo.

STOCK RECOMENDADO DE REPUESTOS

Consulte la sección de Lista de Repuestos para ver que productos son los recomendados. Los repuestos que debe tener en almacén se identifican fácilmente por la marca que antecede a la descripción de las piezas (Figura 10).

Ref.	Part No.	Description	Qty.
1	701103	ASM.,STANDPIPE	1
2	180619	●FLOAT, SHUTOFF	1
3	230187	NIPPLE	1
4	101714	●GASKET	1
5	210240	NUT, FLANGED	1

FIG. 10

OPERACIÓN

LOCALIZACIÓN DE AVERÍAS

PROBLEMA	CAUSA	SOLUCIÓN
La máquina no funciona.	Interruptor de circuito de la máquina activado. (No se recomienda pulido con rociado con los modelos 1600 y 2000 rpm).	Determinar la causa y reajustar el cortacircuitos de la máquina. Esperar 15 segundos antes de arrancar de nuevo la máquina
	Cortacircuitos activado.	Reajustar el cortacircuitos del edificio.
	Cable eléctrico defectuoso.	Contactar con el Servicio Técnico
	Cableado de la máquina defectuoso.	Contactar con el Servicio Técnico
	Interruptor de la palanca de Apagado/ Encendido defectuoso.	Contactar con el Servicio Técnico
	Faulty Rectifier.	Contactar con el Servicio Técnico
	Motor defectuoso.	Contactar con el Servicio Técnico
La máquina se desplaza con un movimiento oscilante y brusco.	Almohadilla sucia.	Sustituir almohadilla.
	Almohadilla incorrecta para la aplicación.	Sustituir por el almohadilla correcto.
	Interruptor de circuito defectuoso.	Contactar con el Servicio Técnico
	Escobillas de carbón gastadas en el motor.	Contactar con el Servicio Técnico
La almohadilla gira lentamente o no gira.	Correa impulsora floja.	Ajuste la correa impulsora.
	Correa impulsora rota.	Reemplace la correa impulsora.

ESPECIFICACIONES

MODEL	SPEEDSHINE 1200	SPEEDSHINE 1600	SPEEDSHINE 2000
ANCHURA	20.75 pulg / 530 mm	20.75 pulg / 530 mm	20.75 pulg / 530 mm
ALTURA	49 pulg / 1,240 mm	49 pulg / 1,240 mm	49 pulg / 1,240 mm
LONGITUD	29.75 pulg / 760mm	29.75 pulg / 760mm	29.75 pulg / 760mm
PESO	68 lb / 31 kg	68 lb / 31 kg	68 lb / 31 kg
MOTOR IMPULSOR	120 V, 1.5 hp, 15 A, 60 Hz	120 V, 1.5 hp, 15 A, 60 Hz	120 V, 1.5 hp, 15 A, 60 Hz
VELOCIDAD DEL CEPILLO/ALMOHADILLA	1,200 rpm	1,600 rpm	2,000 rpm
LONGITUD DEL CABLE ELÉCTRICO	75 ft / 23 m Gauge 3 X 1.5 mm	75 ft / 23 m Gauge 3 X 1.5 mm	75 ft / 23 m Gauge 3 X 1.5 mm
DIÁMETRO DEL CEPILLO/ALMOHADILLA	20 pulg / 510 mm	20 pulg / 510 mm	20 pulg / 510 mm
NIVEL DE RUIDO (EN DECIBELIOS) A LA ALTURA DEL OPERARIO, EN RECINTO CERRADO CON SUELO DE BALDOSA	70 dBA	70 dBA	70 dBA

Ce manuel est fourni avec chaque nouveau modèle. Il fournit les instructions nécessaires au fonctionnement et à l'entretien.

Lisez complètement ce manuel et familiarisez-vous avec la machine avant de l'utiliser ou de l'entretenir.

Une liste complète de pièces détachées avec illustrations accompagne également chaque nouveau modèle. Utilisez la liste de pièces détachées pour commander des pièces de rechange. Avant de commander des pièces ou des fournitures, soyez sûr d'avoir avec vous le numéro de modèle de la machine et le numéro de série. Les pièces et les fournitures se commandent par téléphone ou par courrier auprès de tout centre de dépannage agréé, de tout distributeur ou de l'une des filiales du fabricant.

Cette machine vous fournira d'excellents services. Toutefois, vous obtiendrez les meilleurs résultats pour un prix de revient minimum si:

- La machine est manipulée avec un certain soin.
- La machine fait l'objet d'un entretien régulier conformément aux instructions d'entretien de ce manuel.
- L'entretien de la machine est effectué avec des pièces fournies par le fabricant ou des pièces équivalentes.

DONNÉES DE LA MACHINE

A remplir au moment de l'installation à titre de référence.

Modèle n° _____

Date d'installation - _____

N° série - _____



PROTECTION DE L'ENVIRONNEMENT

Veillez éliminer les matériaux d'emballage, les composants d'anciennes machines comme les batteries, les fluides dangereux tels que l'antigel ou l'huile, d'une manière sûre au point de vue environnemental, suivant la réglementation locale en vigueur en matière d'élimination des déchets.



N'oubliez pas de toujours recycler.

TABLE DES MATIÈRES

MESURES DE SÉCURITÉ	20	ARTICLES DE STOCK RECOMMANDÉS	25
INSTRUCTIONS DE MISE À LA TERRE ...	21	DÉPISTAGE DES PANNES	26
ÉTIQUETTE DE MISE EN GARDE	21	DONNÉES TECHNIQUES	26
COMPOSANTS DE LA MACHINE	22	SYSTÈM ÉLECTRIQUE	27
MISE EN SERVICE DE LA MACHINE	22	LISTE DES PIÈCES	28
MISE EN PLACE DU PATIN	22	GROUPE DE POIGNÉE	28
FONCTIONNEMENT DE L'APPAREIL	23	GROUPE BAS, VITESSE SIMPLE	30
ENTRETIEN DE LA MACHINE	24		
ENTREPOSAGE DE LA MACHINE	25		
TRANSPORT DE LA MACHINE	25		

MESURES DE SÉCURITÉ

Cette machine est conçue pour un usage professionnel uniquement. Elle est destinée exclusivement au polissage des sols intérieurs et ne convient pas à un quelconque autre usage. Utilisez uniquement des patins de polissage et des produits nettoyants et cires pour sols disponibles dans le commerce, prévus pour l'application de la machine.

Tous les opérateurs sont tenus de lire et comprendre les consignes de sécurité suivantes et de se familiariser avec celles-ci.

Le symbole de mise en garde suivant et l'en-tête « POUR VOTRE SECURITE » sont utilisés tout au long de ce manuel comme indiqué dans leur description :

⚠ MISE EN GARDE : identifie la présence de dangers ou les opérations dangereuses susceptibles de blesser grièvement ou de provoquer la mort.

POUR VOTRE SECURITÉ : identifie les instructions qui doivent être suivies afin de garantir la sécurité lors de l'utilisation de l'équipement.

Le fait d'ignorer ces avertissements peut entraîner : des blessures personnelles, une électrocution, un choc électrique, un incendie ou une explosion :

⚠ MISE EN GARDE : N'utilisez pas de liquides inflammables ou n'utilisez pas la machine dans ou près de liquides ou vapeurs inflammables ou poussières combustibles.

Cette machine n'est pas équipée d'un moteur protégé contre les explosions. Le moteur électrique émet des étincelles au moment du démarrage et pendant son fonctionnement, ce qui peut entraîner un incendie instantané ou une explosion si la machine est utilisée dans une zone où des vapeurs/liquides inflammables ou des poussières combustibles, sont présents.

⚠ MISE EN GARDE : N'utilisez pas la machine avec un cordon d'alimentation endommagé. Ne modifiez pas la prise. Débranchez le cordon d'alimentation avant d'entretenir la machine

Si le cordon d'alimentation est endommagé ou rompu, il doit être remplacé par le fabricant ou son agent de maintenance ou toute autre personne qualifiée, afin d'éviter tout danger.

⚠ MISE EN GARDE : N'utilisez pas en extérieur. N'exposez pas à la pluie. Entreposez à l'intérieur.

Les signaux d'information ci-après indiquent les situations potentiellement dangereuses pour l'opérateur ou l'équipement :

POUR VOTRE SECURITÉ :

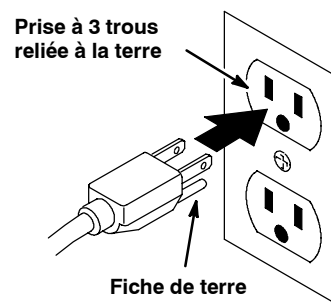
1. N'utilisez pas la machine :
 - avec des liquides inflammables ou près de vapeurs inflammables, afin d'éviter le risque d'explosion ou d'incendie instantané.
 - Si vous n'y êtes pas formé et autorisé.
 - Avant d'avoir lu et compris le manuel opérateur.
 - Si le cordon n'est pas correctement relié à la terre.
 - Avec des cordons ou prises endommagés.
 - Si elle n'est pas en bon état de marche.
 - À l'extérieur.
 - Dans l'eau stagnante.
 - Avec une rallonge.
2. Avant d'utiliser la machine :
 - Assurez-vous que tous les dispositifs de sécurité se trouvent à leur place et fonctionnent correctement.
 - Placez les signes SOL HUMIDE si nécessaire.
 - Retirez les objets encombrant le sol afin d'éviter des projectiles dangereux au cas où les objets seraient heurtés par un patin en cours de rotation.
3. Lors de l'utilisation de la machine :
 - Eloignez-vous d'un patin en cours de rotation.
 - Ne roulez pas sur le cordon avec l'appareil.
 - Ne tirez pas la machine par la prise ou le cordon.
 - Ne tirez pas le cordon près des bords ou des coins vifs.
 - Portez des chaussures antidérapantes.
 - Ne fermez pas de portes sur le cordon.
 - Ne débranchez pas l'appareil en tirant sur le cordon.
 - N'étirez pas le cordon.
 - Ne manipulez pas la prise avec des mains mouillées.
 - Éloignez le cordon des surfaces chaudes.
 - Ne mettez jamais la machine sous tension lorsque la poignée est en position verticale.
 - Ne relâchez les poignées qu'après l'arrêt complet du patin.
 - Roulez lentement sur les pentes et sur les surfaces glissantes.

- Empêchez les enfants de jouer à proximité de la machine.
 - Signalez immédiatement tout dommage occasionné à la machine ou tout mauvais fonctionnement.
 - Suivez les instructions de mélange et de manipulation indiquées sur les conteneurs chimiques.
4. Avant de quitter la machine :
- Coupez le contact de la machine.
 - Débranchez le cordon de la prise murale.
5. Lors de l'entretien de la machine :
- Débranchez le cordon de la prise murale.
 - Évitez les pièces mobiles. Ne portez pas de veste ou de chemise large ou de manches amples.
 - Utilisez des pièces de rechanges fournies ou agréées par le fabricant.
 - Toutes les réparations doivent être effectuées uniquement par un technicien qualifié.
 - Ne modifiez pas le design d'origine de la machine.
6. Lors du transport de la machine :
- Demandez de l'aide pour soulever la machine.
 - Débranchez le cordon de la prise murale.

- Utilisez des sangles pour arrimer la machine sur le camion ou la remorque.

INSTRUCTIONS DE MISE À LA TERRE

La machine doit être mise à la terre. En cas de dysfonctionnement ou de panne, la mise à la terre offre une voie de moindre résistance au courant électrique, afin de réduire le risque de décharge électrique. Cette machine est équipée d'un cordon muni d'un conducteur de terre principale et d'une fiche avec mise à la terre. La fiche doit être branchée sur une prise appropriée montée correctement, conformément aux réglementations et codes en vigueur au niveau local. Ne supprimez pas la fiche de mise à la terre ; si celle-ci manque, remplacez la prise avant d'utiliser la machine.



ÉTIQUETTE DE MISE EN GARDE

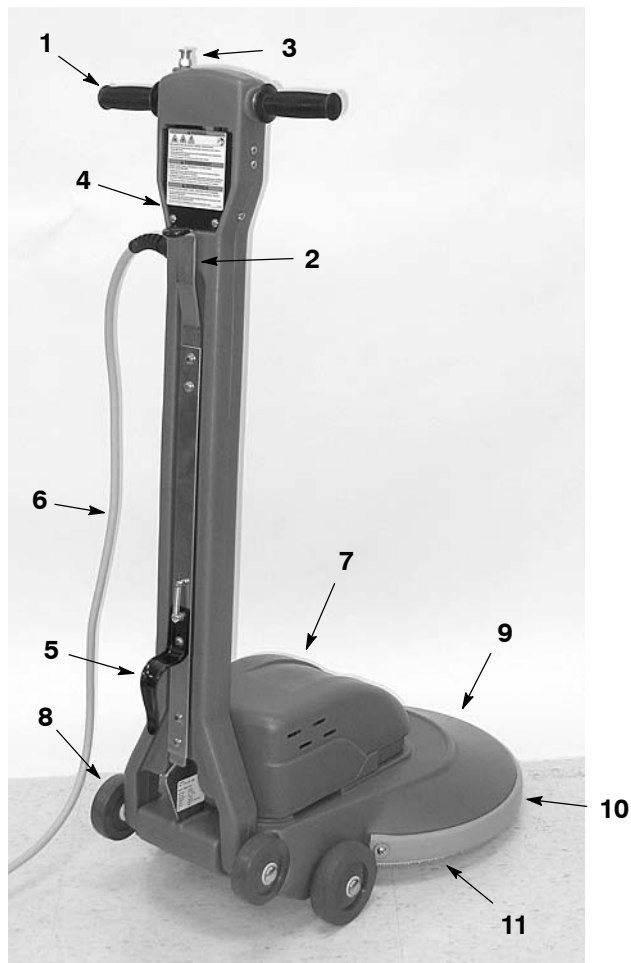
L'étiquette de mise en garde se trouve sur la machine à l'endroit indiqué. Remplacez l'étiquette lorsqu'elle est endommagée ou qu'elle devient illisible.



ÉTIQUETTE MISE EN GARDE – Située au dos de la poignée de la machine.

⚠ WARNING	
EXPLOSION, FIRE AND SHOCK HAZARD. AVOID INJURY. • Do Not Use Flammable Liquids or Operate Near Flammable Liquids, Vapors or Combustible Dusts. • Do Not Operate With Damaged Power Cord. Do Not Modify Plug. Unplug Power Cord Before Servicing Machine. • Do Not Use Outdoors. Do Not Expose to Rain. Store Indoors.	
⚠ AVERTISSEMENT	
RISQUE D'EXPLOSION, D'INCENDIE ET DE DÉCHARGE. ÉVITEZ LES BLESSURES. • N'utilisez Pas Près de Liquides Inflammables ou Près de Liquides ou Vapeurs Inflammables ou Poussières Combustibles. • N'utilisez Pas la Machine Avec un Cordon d'Alimentation Endommagé. Ne Modifiez Pas la Prise. Débranchez le Cordon d'Alimentation Avant d'Entretenir la Machine. • N'utilisez Pas en Extérieur. N'Exposez Pas à la Pluie. Entrezposez à l'Intérieur.	
⚠ ADVERTENCIA	
PELIGRO DE EXPLOSIÓN, FUEGO, DESCARGA EVITE LESIONES. • No Use Líquidos Flamables Y No Use Cerca De Líquidos Flamables, Vapores Ó Materiales Combustibles. • No Use Con Cable De Corriente Dañado. No Altere El Enchufe. Desconecte Cable De Corriente Antes Del Mantenimiento. • No Use Al Aire Libre. No Exponga A La Lluvia. Guarde Bajo Techo.	
1026385	

COMPOSANTS DE LA MACHINE



1. Poignées de Marche/Arrêt
2. Levier de déblocage de la poignée
3. Bouton du verrouillage de sécurité
4. Bouton de coupe-circuit
5. Crochet du cordon d'alimentation
6. Cordon d'alimentation de 23 m
7. Capot du moteur
8. Roulettes de transport
9. Tête de polissage
10. Pare-chocs
11. Patin de polissage

MISE EN SERVICE DE LA MACHINE

Vérifiez soigneusement si le carton ne présente pas de dommages. Signalez immédiatement tout dommage au transporteur.

MISE EN PLACE DU PATIN

POUR VOTRE SECURITÉ : Avant de quitter ou d'entretenir la machine, débranchez le cordon de la prise murale.

1. La machine est expédiée complètement assemblée. Les patins sont vendus séparément. Sélectionnez et installez un patin recommandé répondant le mieux à vos besoins en matière de polissage.

REMARQUE : Consultez votre distributeur agréé pour toute recommandation en matière de patin. Utilisez uniquement des patins fournis ou approuvés par le fabricant.

2. Tirez le levier de déblocage de la poignée et soulevez la poignée en position verticale. Basculez délicatement la machine vers l'arrière et posez la poignée sur le sol (Figure 1).



FIG. 1

3. Pour installer le patin, retirez la bague de blocage central en plastique du pignon menant du patin, en la tournant dans le sens des aiguilles d'une montre. Positionnez le patin sur le pignon menant et réinsérez la bague en la faisant pivoter dans le sens contraire des aiguilles d'une montre. Assurez-vous que la bague de blocage central est fixée fermement (Figure 2).

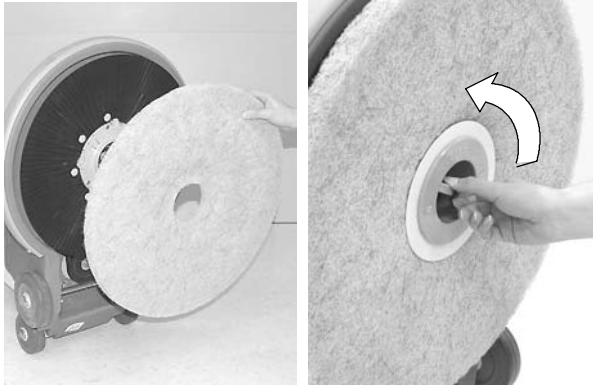


FIG. 2

4. Ramenez la machine en position droite.

FONCTIONNEMENT DE L'APPAREIL

POUR VOTRE SECURITÉ : n'utilisez pas la machine avant d'avoir lu et compris le manuel opérateur.

1. Branchez le cordon d'alimentation dans une prise murale munie reliée à la terre (Figure 3).

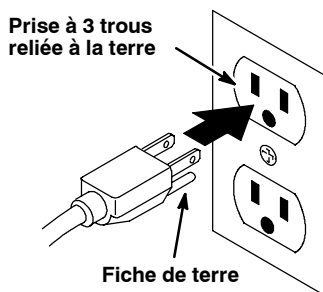


FIG. 3

⚠ MISE EN GARDE : N'utilisez pas la machine avec un cordon d'alimentation endommagé. Ne modifiez pas la prise. Débranchez le cordon d'alimentation avant d'entretenir la machine.

⚠ MISE EN GARDE : N'utilisez pas de liquides inflammables ou n'utilisez pas la machine dans ou près de liquides ou vapeurs inflammables ou poussières combustibles.

Cette machine n'est pas équipée d'un moteur protégé contre les explosions. Le moteur électrique émet des étincelles au moment du démarrage et pendant son fonctionnement, ce qui peut entraîner un incendie instantané ou une explosion si la machine est utilisée dans une zone où des vapeurs/liquides inflammables ou des poussières combustibles, sont présents.

2. Relâchez la poignée à partir de la position verticale, en soulevant le levier de déblocage de la poignée (Figure 4).



FIG. 4

REMARQUE : La poignée ne se bloque pas lorsqu'elle est en position abaissée. Elle est conçue pour permettre à la tête de polissage de flotter librement.

3. Démarrez la machine en appuyant sur le bouton de verrouillage de sécurité et tournez vers l'avant les poignées. Une fois que la machine démarre, relâchez votre pouce du bouton de verrouillage de sécurité (Figure 5).

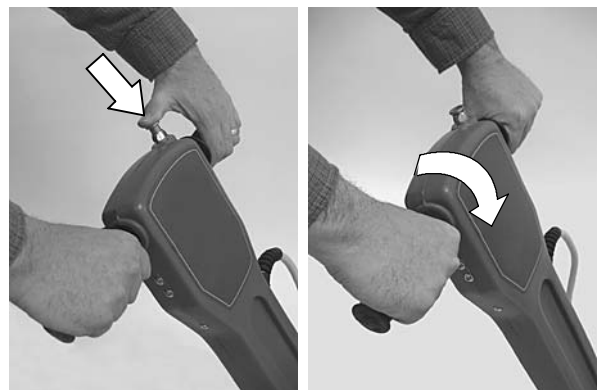


FIG. 5

ATTENTION : Soyez prudent au démarrage. La machine tressaute lorsque vous tournez les poignées.

4. Commencez le polissage en poussant la machine en avant ou en utilisant un mouvement en "W".

POUR VOTRE SECURITÉ : Quand vous utilisez la machine, éloignez-vous du patin en cours de rotation.

FONCTIONNEMENT

INFORMATIONS CONCERNANT LE POLISSAGE AVEC PULVÉRISATION :

Le polissage avec pulvérisation est recommandé uniquement avec les modèles 1200.

Les modèles 1600 et 2000 ne doivent pas être utilisés pour le polissage avec pulvérisation ; le coupe-circuit risque de se déclencher ou une surcharge de la machine risque d'intervenir. Les modèles 1600 et 2000 nécessitent plus de puissance en raison d'une consommation de courant plus importante due à des vitesses plus élevées.

5. Afin d'éviter le risque de surcharge du moteur provoquant le déclenchement du coupe-circuit, vérifiez périodiquement le patin afin de déceler une accumulation excessive de saleté. Retournez le patin, nettoyez-le ou remplacez-le, le cas échéant.

REMARQUE : Si le coupe-circuit se déclenche, débranchez le cordon d'alimentation. Attendez au moins 15 secondes avant de réenclencher du coupe-circuit. Durant cette attente, déterminez la cause du déclenchement du coupe-circuit (Figure 6).



FIG. 6

POUR VOTRE SECURITÉ : Avant de quitter la machine, débranchez le cordon de la prise murale.

6. Pour arrêter la machine, tournez les poignées vers l'arrière ; le bouton de verrouillage de sécurité s'engage automatiquement.

POUR VOTRE SECURITÉ : Lorsque vous utilisez la machine, ne relâchez les poignées qu'après l'arrêt complet du patin.

7. N'utilisez pas la machine sur le même emplacement pendant une longue période de temps. Ceci risque d'endommager le sol.

8. Afin de manœuvrer au-dessus des seuils de porte et des grilles de plancher, arrêtez la machine et basculez-la de nouveau sur les roulettes de transport.
9. Lorsqu'elle n'est pas utilisée, ne laissez pas la machine reposer sur le patin. Vous risquez d'endommager le patin.
10. Lorsque le polissage est terminé, exécutez les procédures d'entretien suivantes.

POUR VOTRE SECURITÉ : Lors du transport la machine, demandez de l'aide pour soulever la machine.

ENTRETIEN DE LA MACHINE

POUR VOTRE SECURITÉ : Avant d'entretenir ou de réparer la machine, débranchez le cordon de la prise murale.

1. Retirez et nettoyez le patin après chaque utilisation.
2. Entreposez toujours la machine posée sur ses roues arrière.
3. Nettoyez la machine avec un produit d'entretien multi-usages après chaque utilisation.
4. Vérifiez l'endommagement du cordon d'alimentation après chaque utilisation. S'il est usé ou endommagé, remplacez immédiatement le cordon.
5. Après chaque utilisation, essuyez le câble d'alimentation avec un chiffon humidifié et entourez-le avec soin autour du crochet du câble et de la poignée.
6. Le système de transmission et le moteur ont été lubrifiés en usine et ne nécessite aucune attention particulière.

- Une fois par mois, vérifiez la tension de la courroie de transmission. Au centre de la courroie, celle-ci doit avoir une déflexion de 6,4 mm avec une force de 2,3 kg environ (Figure 7). Pour resserrer la courroie, retirez le pignon menant de patin et desserrez les 4 vis à tête hexagonale du support de poulie du pignon menant. Desserrez le contre-écrou sur le boulon de tension et tournez le bouton dans le sens des aiguilles d'une montre jusqu'à ce que la courroie soit ajustée correctement, puis resserrez les vis du support de poulie et le contre-écrou (Figure 8).

REMARQUE : Une courroie trop tendue ou trop lâche peut entraîner une panne prématurée de courroie.

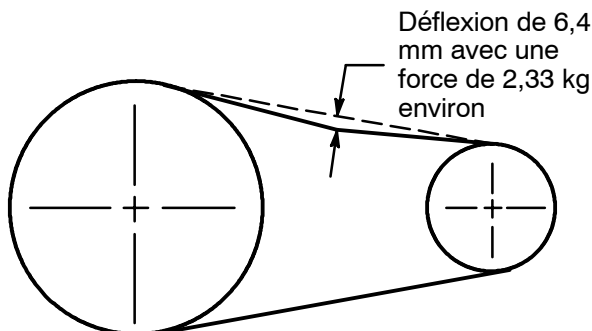


FIG. 7

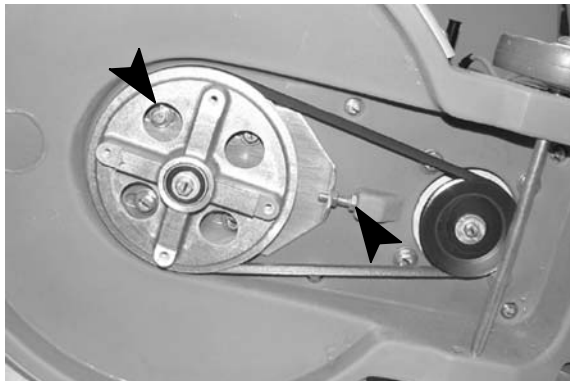


FIG. 8

- Toutes les 250 heures de service, vérifiez le degré d'usure des balais au charbon du moteur. Remplacez les balais s'ils mesurent 1 cm ou moins. Contactez un centre d'entretien agréé pour un contrôle des balais de charbon.

POUR VOTRE SECURITÉ : Lors du dépannage de la machine, toutes les réparations doivent être effectuées uniquement par un technicien qualifié.

ENTREPOSAGE DE LA MACHINE

- Débranchez le cordon d'alimentation et retirez le patin de la machine. Enroulez soigneusement le cordon autour des du crochet du câble et de la poignée afin d'éviter son endommagement (Figure 9).



FIG. 9

- Entreposez la machine à l'abri de l'humidité et en position verticale, avec la poignée en position haute ou repliée sur le sol.

⚠ MISE EN GARDE : N'utilisez pas en extérieur. N'exposez pas à la pluie. Entreposez à l'intérieur.

TRANSPORT DE LA MACHINE

- Débranchez le cordon d'alimentation et retirez le patin de la machine. Enroulez soigneusement le cordon autour des du crochet du câble et de la poignée afin d'éviter son endommagement.
- Chargez la machine à l'aide d'une rampe de chargement appropriée ou soulevez délicatement la machine, avec une aide adéquate.

POUR VOTRE SECURITÉ : Lors du transport la machine, demandez de l'aide pour soulever la machine.

- En cas de transport par véhicule, arrimez la machine avec des sangles.

⚠ MISE EN GARDE : N'utilisez pas en extérieur. N'exposez pas à la pluie. Entreposez à l'intérieur.

ARTICLES DE STOCK RECOMMANDÉS

Reportez-vous à la section Liste des pièces pour les pièces de stock recommandées. Les articles de stock sont identifiés clairement à l'aide d'un point précédant la description de la pièce, comme illustré (Figure 10).

Ref.	Part No.	Description	Qty.
1	701103	ASM, STANDPIPE	1
2	180613	●FLOAT, SHUTOFF	1
3	230187	NIPPLE	1
4	101714	●GASKET	1
5	210240	NUT, FLANGED	1

FIG. 10

FONCTIONNEMENT

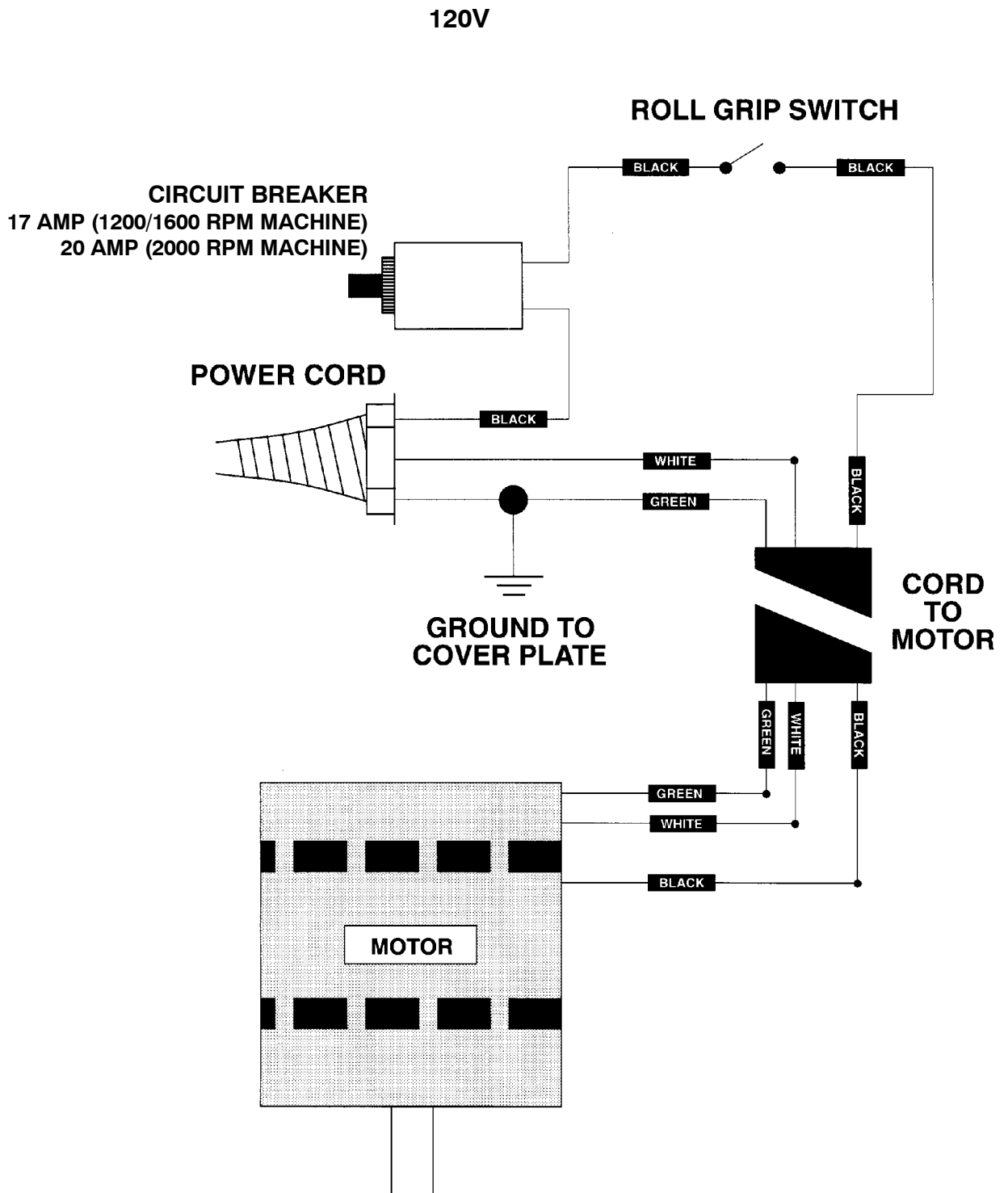
DÉPISTAGE DES PANNES

PROBLÈME	CAUSE	REMÈDE
Le moteur ne fonctionne pas.	Coupe-circuit de la machine déclenché. (Le polissage avec pulvérisation n'est pas recommandé avec les modèles 1600 et 2000).	Déterminez la cause et réenclenchez le coupe-circuit sur la machine. Attendez 15 secondes avant de redémarrer la machine.
	Coupe-circuit du bâtiment déclenché.	Réenclenchez le coupe-circuit et passez à un circuit différent.
	Cordon d'alimentation défectueux.	Contactez le service de dépannage.
	Câblage défectueux.	Contactez le service de dépannage.
	Commutateur de poignée défectueux.	Contactez le service de dépannage.
	Redresseur défectueux.	Contactez le service de dépannage.
	Moteur défectueux.	Contactez le service de dépannage.
Le coupe-circuit de la machine se déclenche continuellement.	Patin sali.	Remplacez le patin.
	Patin impropre pour l'application.	Placez le patin adéquat.
	Coupe-circuit défectueux.	Contactez le service de dépannage.
	Balais au charbon du moteur usé.	Contactez le service de dépannage.
Le patin tourne lentement ou pas du tout.	Courroie de transmission desserrée.	Serrez la courroie de transmission.
	Courroie de transmission rompue.	Remplacez la courroie de transmission.

DONNÉES TECHNIQUES

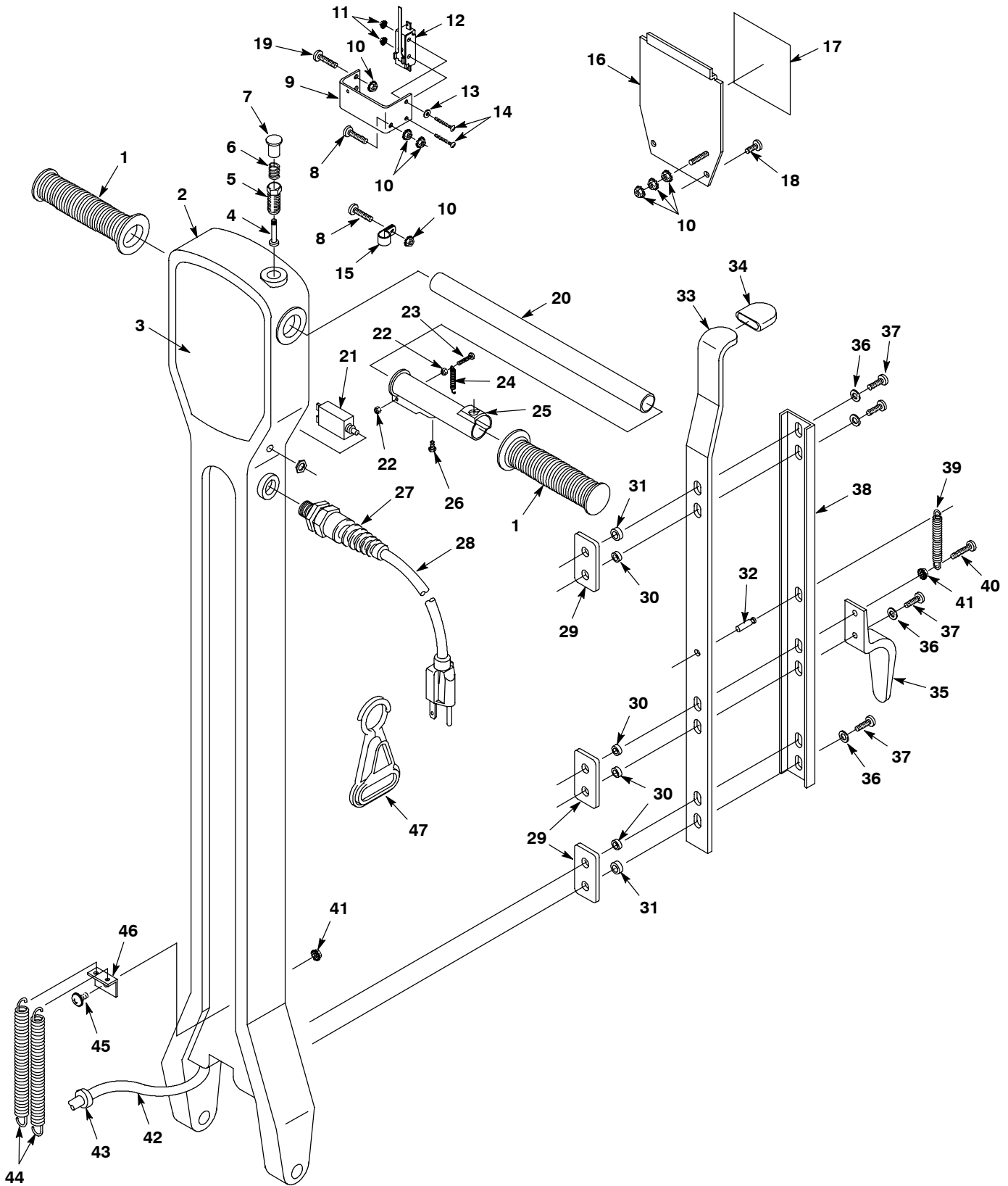
MODÈLE	SPEEDSHINE 1200	SPEEDSHINE 1600	SPEEDSHINE 2000
LARGEUR	530 mm	530 mm	530 mm
HAUTEUR	1.240 mm	1.240 mm	1.240 mm
LONGUEUR	760 mm	760 mm	760 mm
POIDS	31 kg	31 kg	31 kg
MOTEUR D'ENTRAÎNEMENT	120 V, 1,5 CV, 15 A, 60 Hz	120 V, 1,5 CV, 15 A, 60 Hz	120 V, 1,5 CV, 17 A, 60 Hz
VITESSE DU PATIN	1.200 tr/min.	1.600 tr/min.	2.000 tr/min.
LONGUEUR DU CORDON D'ALIMENTATION	23 m Dimensions 3 X 1,5 mm	23 m Dimensions 3 X 1,5 mm	23 m Dimensions 3 X 1,5 mm
DIAMÈTRE DU PATIN	510 mm	510 mm	510 mm
NIVEAU SONORE AU NIVEAU DE L'OREILLE DE L'OPÉRATEUR, À L'INTÉRIEUR SUR DU CARRELAGE	70 dB(A)	70 dBA	70 dBA

ELECTRICAL DIAGRAMS - DIAGRAMAS ELECTRICAS - SYSTEM ÉLECTRIQUE



PARTS LIST - LISTA DE PIEZAS - LISTE DES PIÈCES

HANDLE GROUP / GRUPO DEL ASA / GROUPE DE POIGNÉE



PARTS LIST - LISTA DE PIEZAS - LISTE DES PIÈCES

HANDLE GROUP / GRUPO DEL ASA / GROUPE DE POIGNÉE

REF	PART #	DESCRIPTION	QTY.
1	200823	GRIP, HANDLE TUBE	2
2	608385	HANDLE, GREEN	1
3	608464	LABEL, SPEEDSHINE 1200	1
	608463	LABEL, SPEEDSHINE 1600	1
	608398	LABEL, SPEEDSHINE 2000	1
4	230856	PIN, LOCK RELEASE	1
5	230857	SOCKET, LOCK	1
6	140401	SPRING, LOCK BUTTON	1
7	230855	BUTTON, LOCK RELEASE	1
8	140900	SCREW, 10-24X3/4	2
9	230854	BRACKET, SWITCH	1
10	140519	NUT, 10-24	8
11	140539	NUT, 6-32	2
12	1013132	●SWITCH	1
13	140032	WASHER, #6 FLAT	1
14	140829	SCREW, 6-32X1	2
15	140328	CLAMP, CABLE 3/8ID BLK NYLON	1
▽ 16	9001922	PLATE, HANDLE REAR W/ LABEL	1
▲ 17	1026385	LABEL, WARNING	1
18	140197	SCREW, 10-24X3/8 TRSPHL SEM	2
19	140823	SCREW, 10-24X5/8 PHL	2
20	230853	HANDLE, TUBE	1
21	605201	●BREAKER, CIRCUIT 17A (1200/1600)	1
	130752	●BREAKER, CIRCUIT 20A (2000)	1
22	28990	NUT, 8-32 NYLOCK	2

REF	PART #	DESCRIPTION	QTY.
23	6010.16	SCREW, 8-32X1	1
24	600987	SPRING	1
25	100355	SLEEVE, LOCKING	1
26	01697	SCREW, 1/4-20X5/8	1
27	602849	GRIP, CORD	1
28	610974	●CORD, 14/3X75' YELLOW	1
29	230852	PLATE, BACKING	3
30	140147	SLEEVE, .44ODX.25BX.21L	4
31	140146	BUSHING, .50ODX.25BX.21L	2
32	140604	PIN, GROOVE 1/4X3/4	1
33	611141	HANDLE, LATCH	1
34	200821	GRIP, LATCH	1
35	602750	HOOK, CORD	1
36	140000	WASHER, FLAT 1/4	5
37	140864	SCREW, 1/4-20X3/4	5
38	230859	CHANNEL, LATCH HANDLE	1
39	140402	SPRING, HANDLE LATCH	1
40	140881	SCREW, 1/4-20X1	1
41	140524	NUT, 1/4-20 KEP	2
42	130204	CORD, 14/3X57" BLACK	1
43	130141	BUSHING, STRAIN-RELIEF	1
44	140437	SPRING	2
45	140864	SCREW, 1/4-20X3/4	1
46	230773	BRACKET, SPRING	1
47	130176	●BELT CLIP, STRAIN-RELIEF (OPTIONAL)	1

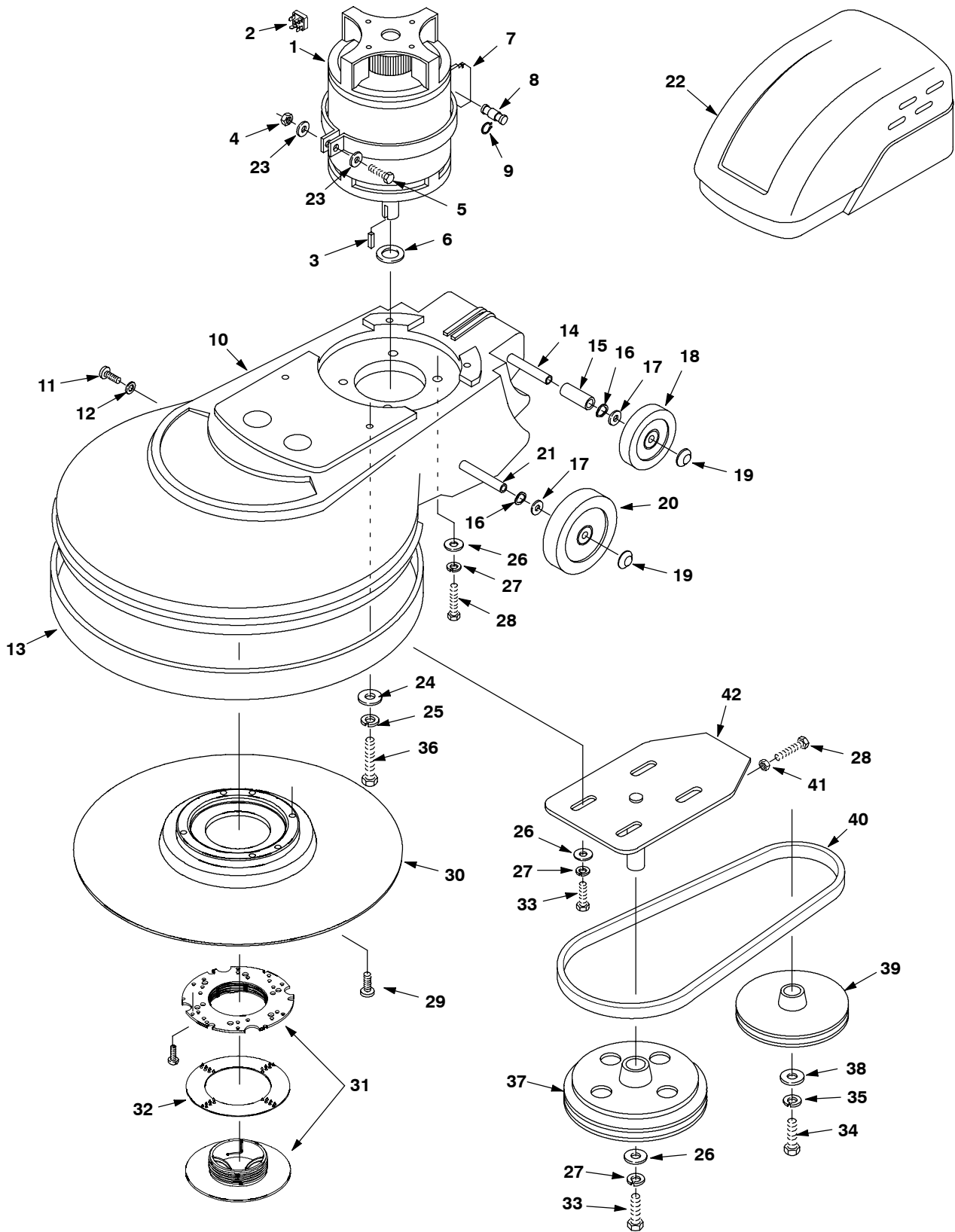
▽ ASSEMBLY / CONJUNTO / ENSEMBLE

▲ INCLUDED IN ASSEMBLY / INCLUIDO A CONJUNTA / Y COMPRIS EN ENSEMBLE

● RECOMMENDED STOCK ITEM / PIEZAS RECOMENDADAS EN ALMACÉN / ÉLÉMENTS DE STOCK RECOMMANDÉS

PARTS LIST - LISTA DE PIEZAS - LISTE DES PIÈCES

BASE GROUP, SINGLE SPEED / GRUPO BASE, VELOCIDAD SOLA / GROUPE BAS, VITESSE SIMPLE



PARTS LIST - LISTA DE PIEZAS - LISTE DES PIÈCES

190752 (2/PK) Carbon Brush Rplmt for OHIO motor 600825 (reqs 4)

BASE GROUP, SINGLE SPEED / GRUPO BASE, VELOCIDAD SOLA / GROUPE BAS, VITESSE SIMPLE

REF	PART #	DESCRIPTION	QTY.
▽ 1	130498	●MOTOR, 120V	1
▲	22117 (1/PK)	●-CARBON BRUSH, 120V Imperial motor	4
▲ 2	190753	●-RECTIFIER, 120V	1
3	140628	KEY, 3/16X3/16X1	1
4	140546	NUT, 5/16-18	1
5	140221	SCREW, 5/16-18X1-1/4	1
6	230447	SPACER, PULLEY	1
7	230918	PLATE, LATCH	1
8	230772	PIN, PLATE	1
9	140421	RING, RETAINING	2
10	608395	BASE, HIGH SPEED GREEN	1
11	140824	SCREW, 1/4-20X5/8	2
12	140003	WASHER, 1/4	2
13	602544	BUMPER	1
14	608910	AXLE, 1/2DIAx12.915"	1
15	140148	SLEEVE, .625D	2
16	4252	WASHER, 1/2 COMP	4
17	3148.816	WASHER, FLAT 7/8X1/2	4
18	103066	●WHEEL, 4"X1.5 GRAY	2
19	103019	CAP, HUB WHEEL	4
20	103067	●WHEEL, 5"X1.5 GRAY	2
21	608913	AXLE, 1/2DIAx15.73	1
22	608397	COVER, MOTOR GREEN	1
23	140027	WASHER, FLAT 0.35B	2
24	140000	WASHER, FLAT 1/4	4

REF	PART #	DESCRIPTION	QTY.
25	140016	WASHER, LOCK 1/4	4
26	32492	WASHER, FLAT .38 STD	9
27	140017	WASHER, LOCK SPLIT 0.38	9
28	611048	SCREW, 3/8-16X1-1/4 HXHDCP	5
29	140949	SCREW, 5/16-18X1-1/4	4
▽ 30	1033499	●ASM., PAD DRIVER	1
▲ 31	603538	LOCK, CENTER	1
▲ 32	32505	WASHER, BRUSH PAD	1
33	02994	SCREW, HEX .38-16X0.75	5
34	02991	SCREW, 5/16-18X3/4	1
35	140015	WASHER, LOCK 5/16	1
36	140209	SCREW, 1/4-20X2-1/2 (1200)	4
	579212	SCREW, 1/4-20X2 (1600/2000)	4
37	611695	PULLEY, DRIVE	1
38	25732	WASHER, 1-1/4X.359	1
39	240075	●PULLEY, 3-1/4" DIA (1200)	1
	240076	●PULLEY, 4" DIA (1600)	1
	240077	●PULLEY, 5" DIA (2000)	1
40	240078	●BELT (1200)	1
	240079	●BELT (1600)	1
	240080	●BELT (2000)	1
41	140545	NUT, JAM 3/8-16	1
42	230448	BRACKET, DRIVE CASTING	1

▽ ASSEMBLY / CONJUNTO / ENSEMBLE

▲ INCLUDED IN ASSEMBLY / INCLUIDO A CONJUNTA / Y COMPRIS EN ENSEMBLE

● RECOMMENDED STOCK ITEM / PIEZAS RECOMENDADAS EN ALMACÉN / ÉLÉMENTS DE STOCK RECOMMANDÉS