

MACHINE DATA LOG/OVERVIEW

MODEL _____

DATE OF PURCHASE _____

SERIAL NUMBER _____

SALES REPRESENTATIVE # _____

DEALER NAME _____

OPERATIONS GUIDE NUMBER _____

PUBLISHED _____

YOUR DEALER

Name: _____

Address: _____

Phone Number: _____

TABLE OF CONTENTS

<i>Machine Data Log/Overview.....</i>	<i>1</i>
<i>Table of Contents.....</i>	<i>2</i>

HOW TO USE THIS MANUAL

<i>How to use this Manual.....</i>	<i>1-1</i>
------------------------------------	------------

SAFETY

<i>Important Safety Instructions</i>	<i>2-1</i>
<i>Hazard Intensity Level</i>	<i>2-3</i>
<i>Grounding Instructions.....</i>	<i>2-5</i>

OPERATIONS

<i>Technical Specifications.</i>	<i>3-1</i>
<i>Controls/Component Location</i>	<i>3-2</i>
<i>Filling Operation.....</i>	<i>3-5</i>
<i>Operations.</i>	<i>3-6</i>
<i>Cleaning Procedure.</i>	<i>3-8</i>
<i>Accessory Tool Usage.....</i>	<i>3-11</i>

MAINTENANCE

<i>Service Schedule</i>	<i>4-1</i>
<i>Periodic Maintenance.</i>	<i>4-2</i>
<i>Daily/ Regular Maintenance.....</i>	<i>4-2</i>
<i>Vacuum Motor Replacement</i>	<i>4-3</i>
<i>Belt Replacement.....</i>	<i>4-4</i>
<i>Solution Pump Replacement</i>	<i>4-5</i>
<i>Wiring Diagram.</i>	<i>4-6</i>
<i>Troubleshooting Chart</i>	<i>4-7</i>

GROUP PARTS LIST

<i>Frame Assembly.....</i>	<i>5-1</i>
<i>Brush Assembly.....</i>	<i>5-3</i>
<i>Pump Assembly.....</i>	<i>5-5</i>
<i>Vacuum Shoe Assembly.....</i>	<i>5-7</i>
<i>Control Panel Assembly.....</i>	<i>5-9</i>
<i>Solution Tank Assembly.</i>	<i>5-11</i>
<i>Recovery Tank Assembly.</i>	<i>5-13</i>
<i>Suggested Spare Parts/Notes</i>	<i>5-15</i>

HOW TO USE THIS MANUAL

This manual contains the following sections:

- HOW TO USE THIS MANUAL
- SAFETY
- OPERATIONS
- MAINTENANCE
- PARTS LIST

The HOW TO USE THIS MANUAL section will tell you how to find important information for ordering correct repair parts.

Parts may be ordered from authorized dealers. When placing an order for parts, the machine model and machine serial number are important. Refer to the MACHINE DATA box which is filled out during the installation of your machine. The MACHINE DATA box is located on the inside of the front cover of this manual.

MODEL _____
DATE OF PURCHASE _____
SERIAL NUMBER _____
SALES REPRESENTATIVE # _____
DEALER NAME _____
OPERATIONS GUIDE NUMBER _____
PUBLISHED _____

The model and serial number of your machine is on the bottom back-end of the machine.

The SAFETY section contains important information regarding hazard or unsafe practices of the machine. Levels of hazards is identified that could result in product or personal injury, or severe injury resulting in death.

The OPERATIONS section is to familiarize the operator with the operation and function of the machine.

The MAINTENANCE section contains preventive maintenance to keep the machine and its components in good working condition. They are listed in this general order:

- Periodic
- Daily/Regular
- Troubleshooting

The PARTS LIST section contains assembled parts illustrations and corresponding parts list. The parts lists include a number of columns of information:

- **REF** – column refers to the reference number on the parts illustration.
- **PART NO.** – column lists the part number for the part.
- **PRV NO.** – reference number.
- **QTY** – column lists the quantity of the part used in that area of the machine.
- **DESCRIPTION** – column is a brief description of the part.
- **SERIAL NO. FROM** – column indicates the first machine the part number is applicable to. When the machine design has changed, this column will indicate serial number of applicable machine. The main illustration shows the most current design of the machine. The boxed illustrations show older designs. If column has an asterisk (*), call manufacturer for serial number.
- **NOTES** – column for information not noted by the other columns.

NOTE: If a service or option kit is installed on your machine, be sure to keep the KIT INSTRUCTIONS which came with the kit. It contains replacement parts numbers needed for ordering future parts.

NOTE: The number on the lower left corner of the front cover is the part number for this manual.

IMPORTANT SAFETY INSTRUCTIONS
When using an electrical appliance, basic precaution must always be followed, including the following:

READ ALL INSTRUCTIONS BEFORE USING THIS MACHINE.

This machine is for commercial use.



WARNING:

To reduce the risk of fire, electric shock, or injury:

Connect to a **properly grounded outlet**. See Grounding Instructions.

Do not leave the machine unattended. Unplug machine from outlet when not in use and before maintenance or service.

Use only indoors. Do not use outdoors or expose to rain.

Do not allow machine to be used as a toy. **Close attention** is necessary when used by or near children.

Use only as described in this manual. Use only manufacturer's recommended components and attachments.

Do not use damaged electrical cord or plug. Follow all instructions in this manual concerning grounding the machine. If the machine is **not working properly**, has been dropped, damaged, left outdoors, or dropped into water, return it to an authorized service center.

Do not pull or carry machine by electrical cord, use as a handle, close a door on cord, or pull cord around sharp edges or corners.

Do not run machine over cord. **Keep** cord away from heated surfaces.

Do not unplug machine by pulling on cord. To unplug, grasp the electrical plug, not the electrical cord.

Do not handle the electrical plug or machine with wet hands.

Do not operate the machine with any openings blocked. Keep openings free of debris that may reduce airflow.

This machine is intended for cleaning carpet only.

Do not vacuum anything that is burning or smoking, such as cigarettes, matches, or hot ashes.

This machine is not suitable for picking up health endangering dust.

Turn off all controls before unplugging.

Machine can cause a fire when operating near flammable vapors or materials. Do not operate this machine near flammable fluids, dust or vapors.

This machine is suitable for commercial use, for example in hotels, schools, hospitals, factories, shops and offices for more than normal housekeeping purposes.

Maintenance and repairs must be done by qualified personnel.

If foam or liquid comes out of machine, switch off immediately.

SAVE THESE INSTRUCTIONS

SAFETY

IMPORTANTES MESURES DE SÉCURITÉ

L'utilisation d'un appareil électrique demande certaines précautions:
LIRE TOUTES LES INSTRUCTIONS AVANT DE FAIRE FONCTIONNER (CET APPAREIL).



Pour réduire les risques d'incendie, de choc électrique ou de blessure:

Cet appareil ne doit être connecté qu'à des prises ayant une sortie de terre.

Ne pas laisser l'appareil sans surveillance lorsqu'il est branché. Débrancher lorsque l'appareil n'est pas utilisé et avant l'entretien.

Pour réduire les risques de choc électrique, ne pas utiliser à l'extérieur et ne pas aspirer de matières humides.

Ne pas permettre aux enfants de jouer avec l'appareil. Une attention particulière est nécessaire lorsque l'appareil est utilisé par des enfants ou à proximité de ces derniers.

N'utiliser que conformément à cette notice avec les accessoires recommandés par le fabricant.

Ne pas utiliser si le cordon ou la fiche est endommagé. Retourner l'appareil à un atelier de réparation s'il ne fonctionne pas bien, s'il est tombé ou s'il a été endommagé, oublié à l'extérieur ou immergé.

Ne pas tirer, soulever ou traîner l'appareil par le cordon. Ne pas utiliser le cordon comme une poignée, le coincer dans l'embrasure d'une porte ou l'appuyer contre des arêtes vives ou des coins. Ne pas faire rouler l'appareil sur le cordon.

Garder le cordon à l'écart des surfaces chaudes.

Ne pas débrancher en tirant sur le cordon. Tirer plutôt la fiche.

Ne pas toucher la fiche ou l'appareil lorsque vos mains sont humides.

N'insérer aucun objet dans les ouvertures. Ne pas utiliser l'appareil lorsqu'une ouverture est bloquée. S'assurer que de la poussière, de la peluche, des cheveux ou d'autres matières ne réduisent pas le débit d'air.

Tenga especial cuidado al manejar la aspiradora en una escalera.

Ne pas aspirer de matières en combustion ou qui dégagent de la fumée, comme des cigarettes, des allumettes ou des cendres chaudes.

Cette machine **n'est pas** adaptée au ramassage de poussières dangereuses.

Mettre toutes les commandes à la position ARRÊT avant de débrancher l'appareil.

Ne pas aspirer des liquides inflammables ou combustibles, comme de l'essence, et ne pas faire fonctionner dans des endroits où peuvent se trouver de tels liquides.

Cette machine est destinée à un usage commercial. Elle est recommandée davantage pour les domaines hôtelier, scolaire, hospitalier, industriel ou pour les bureaux, les chaînes de magasin, que pour un usage domestique normal.

L'entretien et les réparations de la machine **doivent être effectuées** par un personnel qualifié.

Si de la mousse ou du liquide sort de la machine, **la mettre hors tension immédiatement.**

CONSERVER CES INSTRUCTIONS

HAZARD INTENSITY LEVEL

The following symbols are used throughout this guide as indicated in their descriptions:

HAZARD INTENSITY LEVEL

There are three levels of hazard intensity identified by signal words -**WARNING** and **CAUTION** and **FOR SAFETY**. The level of hazard intensity is determined by the following definitions:



WARNING - Hazards or unsafe practices which COULD result in severe personal injury or death.



CAUTION - Hazards or unsafe practices which could result in minor personal injury or product or property damage.

FOR SAFETY: To Identify actions which must be followed for safe operation of equipment.

Report machine damage or faulty operation immediately. Do not use the machine if it is not in proper operating condition. Following is information that signals some potentially dangerous conditions to the operator or the equipment. Read this information carefully. Know when these conditions can exist. Locate all safety devices on the machine. Please take the necessary steps to train the machine operating personnel.

FOR SAFETY:

DO NOT OPERATE MACHINE:

Unless Trained and Authorized.

Unless Operation Guide is Read and understood.

In Flammable or Explosive areas.

In areas with possible falling objects.

WHEN SERVICING MACHINE:

Avoid moving parts. Do not wear loose clothing; jackets, shirts, or sleeves when working on the machine. Use manufacturer approved replacement parts.

DEGRÉS DE RISQUES EN CAS DE DANGER

Les symboles ci-dessous sont utilisés à travers ce manuel comme illustré dans leurs descriptions :

DEGRÉS DE RISQUES EN CAS DE DANGER

Il existe trois degrés de risques identifiés par les termes signalétiques –**AVERTISSEMENT** et **ATTENTION** et **POUR VOTRE SÉCURITÉ**. Le degré de risque est défini de la manière suivante :

AVERTISSEMENT:

AVERTISSEMENT - Dangers ou méthodes dangereuses qui **POURRAIENT** provoquer de graves blessures ou entraîner la mort.

ATTENTION:

ATTENTION - Dangers ou méthodes dangereuses qui pourraient provoquer des blessures légères ou une détérioration du produit ou des biens immobiliers.

POUR VOTRE SÉCURITÉ : ce signe permet d'identifier les mesures de précaution à prendre pour assurer un bon fonctionnement du matériel.

Rendre compte immédiatement d'une défaillance ou d'une détérioration de la machine. Ne pas utiliser la machine si celle-ci ne fonctionne pas correctement. Lire soigneusement les informations ci-dessous signalant certains dangers potentiels pour l'opérateur de la machine. L'opérateur doit être absolument au courant de ces dangers potentiels. Localiser tous les dispositifs de sécurité sur la machine. Il est conseillé de prendre les mesures nécessaires pour former le personnel opérateur.

POUR VOTRE SÉCURITÉ :

NE PAS MANOEUVRER LA MACHINE :

Lorsqu'on n'est pas expérimenté ou qualifié.

Lorsque le guide d'utilisation n'est pas été lu ou compris.

Dans des zones inflammables ou explosives.

Dans des zones où des objets peuvent tomber.

LORS DE L'ENTRETIEN DE LA MACHINE :

Éviter les parties amovibles. Ne pas porter de vêtements amples, tels que des vestes, des chemises ou des vêtements avec manches lors de l'utilisation de la machine. Utiliser les pièces détachées Windsor homologuées.

GROUNDING INSTRUCTIONS

ELECTRICAL:

In the USA, this machine operates on a standard 15 amp 115V, 60 Hz, A.C. power circuit. The amp, hertz, and voltage are listed on the data label found on each machine. Using voltages above or below those indicated on the data label will cause serious damage to the motors.

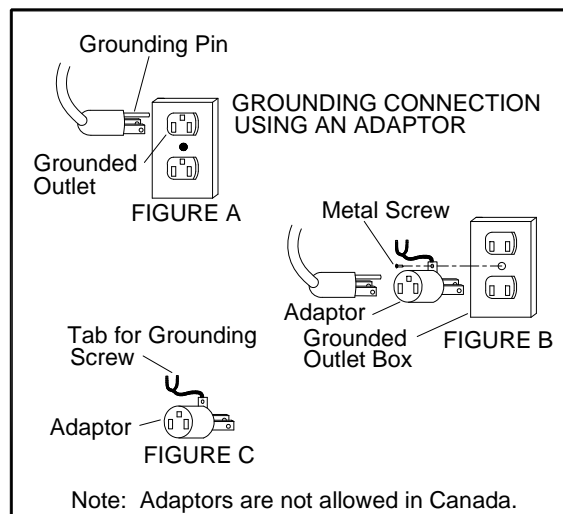
EXTENSION CORDS:

If an extension cord is used, the wire size must be at least one size larger than the power cord on the machine, and must be limited to 50 feet (15.5m) in length.

GROUNDING INSTRUCTIONS:

This appliance must be grounded. If it should malfunction or break down, grounding provides a path of least resistance for electric current to reduce the risk of electric shock. This appliance is equipped with a cord having an equipment-grounding conductor and grounding plug. The plug must be inserted into an appropriate outlet that is properly installed and grounded in accordance with all local codes and ordinances.

This appliance is for use on a nominal 120-volt circuit, and has a grounded plug that looks like the plug in "Fig. A". A temporary adaptor that looks like the adaptor in "Fig. C" may be used to connect this plug to a 2-pole receptacle as shown in "Fig. B", if a properly grounded outlet is not available. The temporary adaptor should be used only until a properly grounded outlet (Fig. A) can be installed by a qualified electrician. The green colored rigid ear, lug, or wire extending from the adaptor must be connected to a permanent ground such as a properly grounded outlet box cover. Whenever the adaptor is used, it must be held in place by a metal screw.



⚠ WARNING:

Improper connection of the equipment-grounding conductor can result in a risk of electric shock. Check with a qualified electrician or service person if you are in doubt as to whether the outlet is properly grounded. Do not modify the plug provided with the appliance - if it will not fit the outlet; have a proper outlet installed by a qualified electrician.

⚠ AVERTISSEMENT:

Le raccordement incorrect du conducteur de terre d'équipement peut entraîner des risques d'électrocution. Vérifiez auprès d'un électricien qualifié ou d'un responsable de l'entretien si vous avez quelque doute que ce soit quant au raccordement à la terre de votre prise murale. Ne modifiez pas la fiche fournie avec l'appareil : si elle ne correspond pas à la prise murale, faites installer une prise adéquate par un électricien qualifié. Utilisez-le uniquement sur des réceptacles protégés GFCI.

TECHNICAL SPECIFICATIONS

POWER TYPE

ELECTRICAL: 115 V, 15 A, 60 HZ

ELECTRIC VACUUM MOTOR: (1) –3 stage, 1 hp, 99 cfm (2.80 cubic meters/min.) Waterlift –117" (297cm)

BRUSH: (1) 18" (45.7 cm.)

SOLUTION PUMP: 100 PSI, diaphragm style, internal bypass

SOLUTION CAPACITY: 12 gallons (45.5ltr)

RECOVERY CAPACITY: 12 gallons (45.5ltr)

BRUSH SPEED: 1000 rpm

GENERAL DIMENSIONS/WEIGHT

Vacuum shoe: 20" (51 cm) cast aluminum with spring loaded down pressure

WHEELS: (2) 10" dia. (25 cm) wheels by 2"

WEIGHT: 105lbs. (48kg)

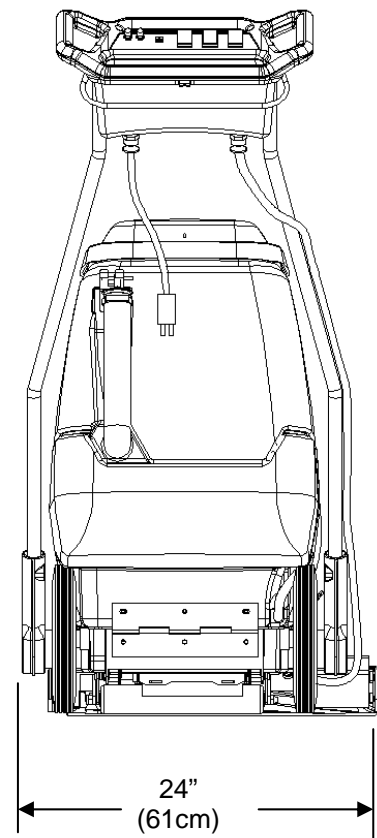
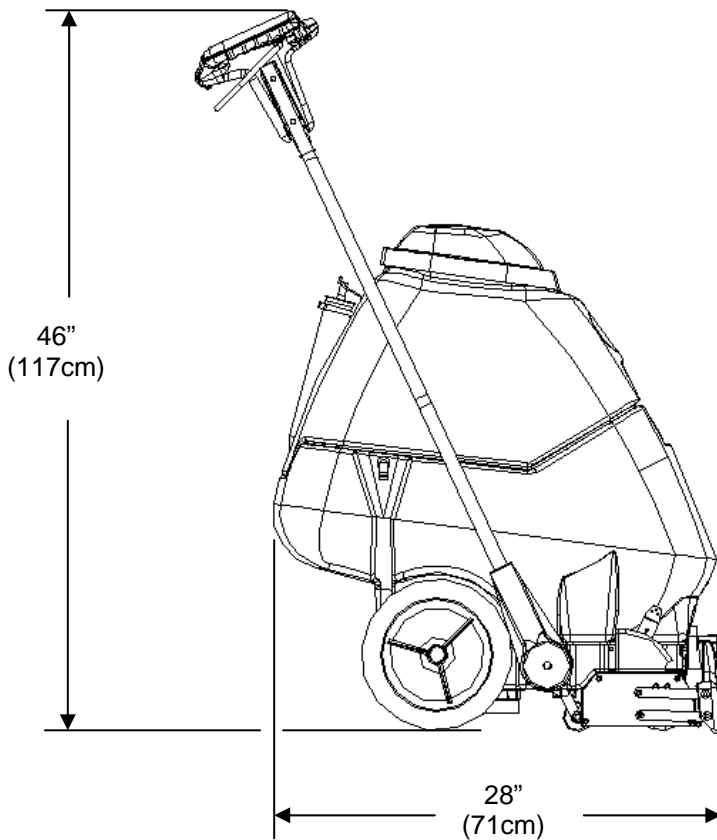
LENGTH: 28" (71 cm)

HEIGHT: 46" (117 cm)

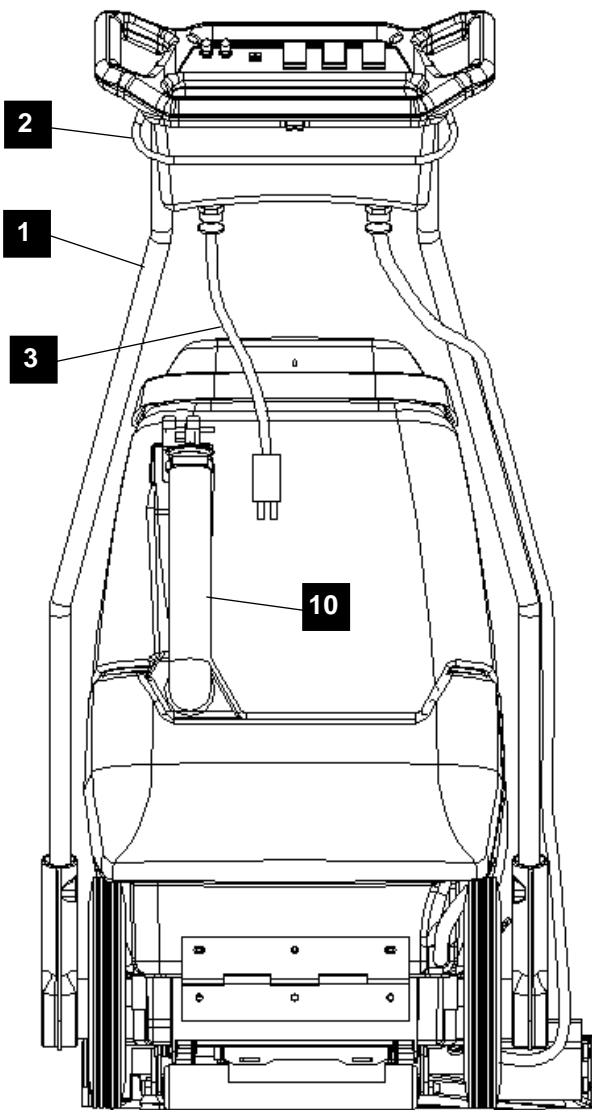
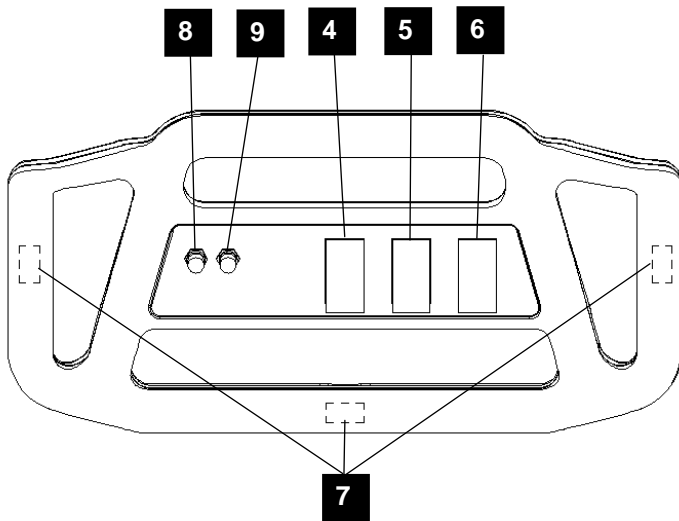
WIDTH: 24" (61 cm)

SOLUTION SPRAY: 2 quick change jets.

POWER CABLE: 50' (12.7 m) (14 gauge)



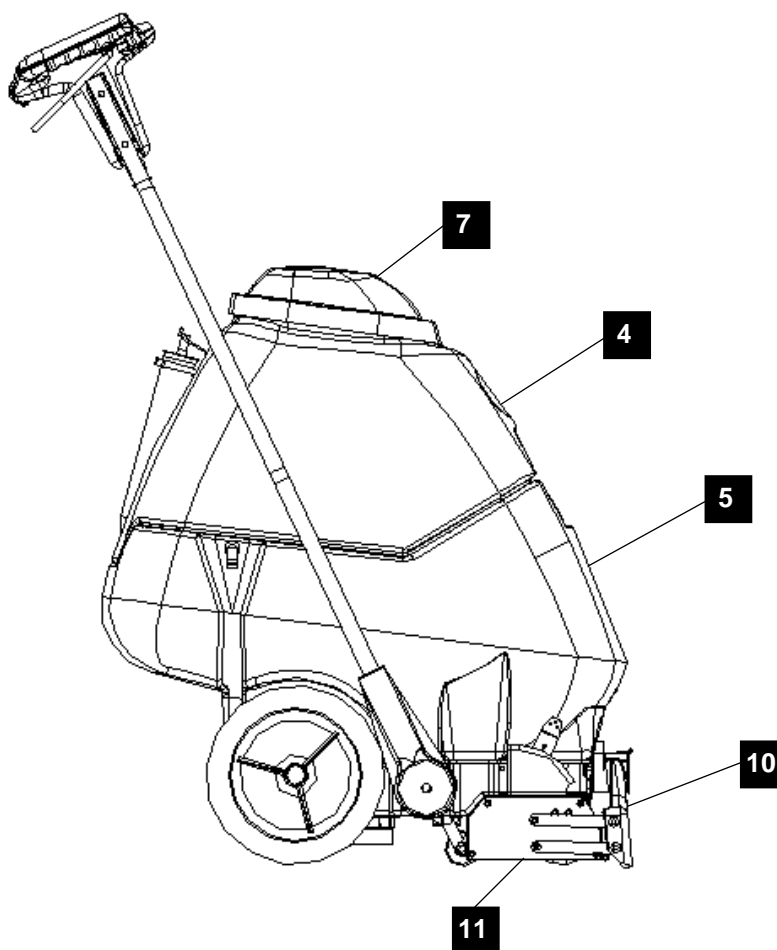
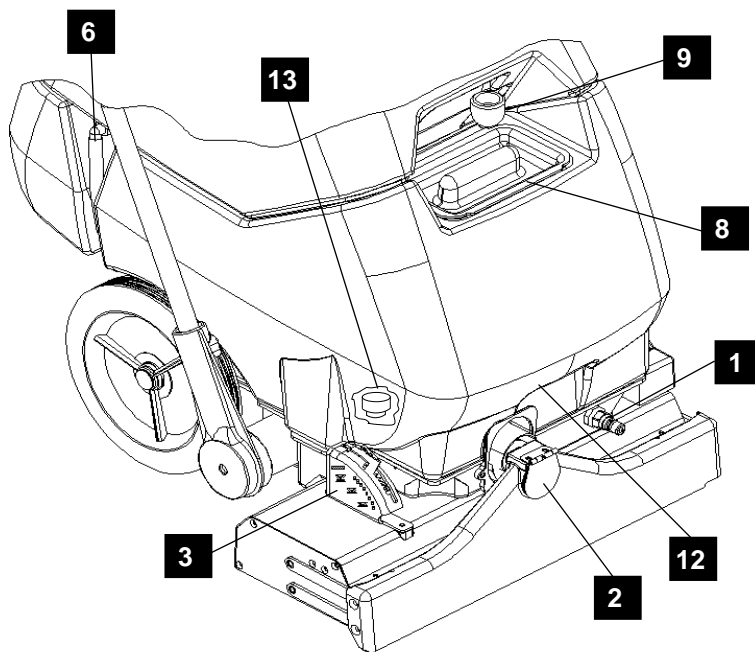
CONTROLS/COMPONENT LOCATIONS



1. **Main Handle.** Used to pull and maneuver machine.
2. **Handle Adjustment.** Used to adjust height of handle, and allow machine to be used in "PUSH" or "PULL" orientation.
3. **Electrical Cord.**
4. **Solution Switch.** Turns on pump. Continuous position (bottom) activates electro-valve to dispense solution to floor through jets. Intermittent position (up) requires operator to depress 1 of 3 trigger switches to dispense solution. Center position is off.
5. **Brush Motor Switch.** Turns on brush motor.
6. **Vacuum Motor Switch.** Turns on vacuum motor.
7. **Trigger Switches.** Activates electro-valve to dispense solution to floor through jets when solution switch is in the intermittent position.
8. **Brush Motor Circuit Breaker.** 6 amp. Breaker protecting brush motor.
9. **Vacuum Motor Circuit Breaker.** 15 amp. Breaker protecting vacuum motor.
10. **Recovery Dump Hose.** Facilitates draining dirty cleaning solution.

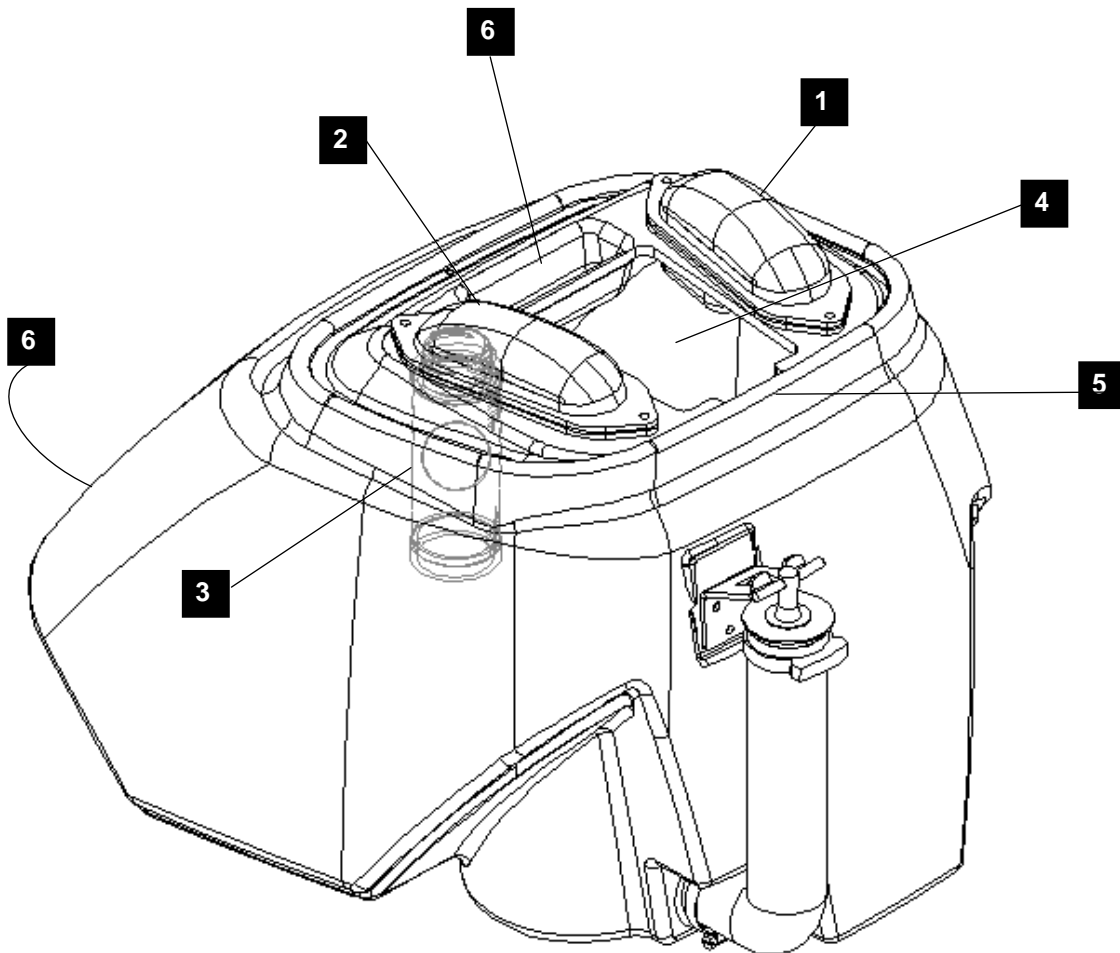
CONTROLS/COMPONENT LOCATIONS

1. **Solution Accessory Tool Hookup.** Used for various auxiliary cleaning tools.
2. **Vacuum Hose Door.** Used to connect various auxiliary 1 ½ inch cleaning tool vacuum hoses.
3. **Brush Height Adjustment.** Used to regulate brush height from storage position to various carpet heights.
4. **Recovery Tank.** Used to collect dirty cleaning solution.
5. **Solution Tank.** Used to hold cleaning solution.
6. **Solution Dump Hose.** Facilitates draining excess cleaning solution from solution tank.
7. **Recovery Tank Dome.**
8. **Solution Tank Lid.**
9. **Solution Tank Fill Hose.**
10. **Vacuum Shoe.**
11. **Brush Housing.**
12. **Front Lifting Handle.**
13. **Cleaning Solution Filter.**

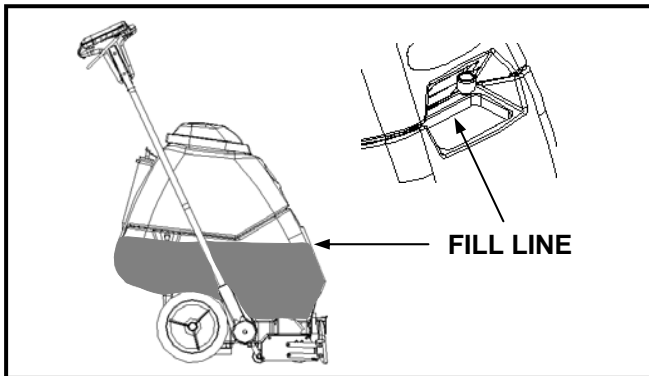
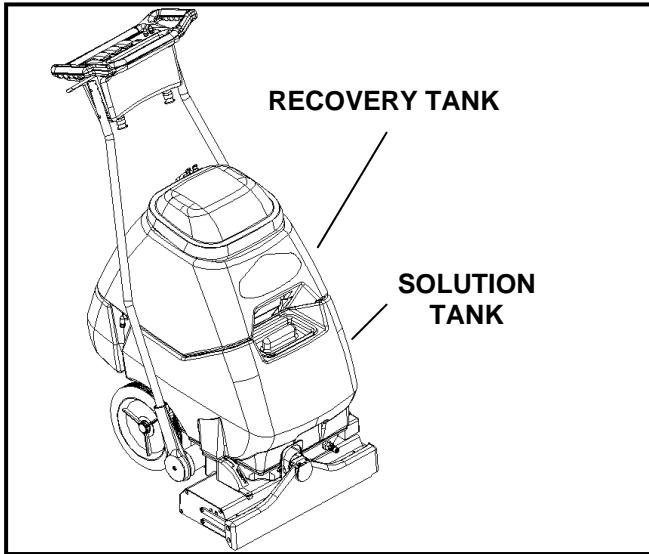


CONTROLS/COMPONENT LOCATIONS

1. Solution Intake Cover.
2. Vacuum Intake Cover.
3. Float Shut-Off.
4. Clean-Out Opening.
5. Pour Spout.
6. Lift Handle.



FILLING OPERATIONS



FILLING THE CLIPPER

NOTE: Use clean bucket of water to fill solution tank

Do not put defoamer, solvents, spotter or prespray chemicals in the solution tank.

Do not allow water to spill into vacuum motor inlet. Dry spillage from top of solution tank before replacing recovery tank.

CHEMICALS

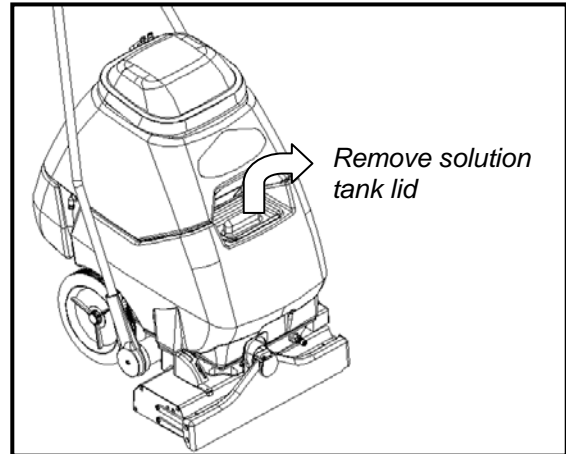
Suitable Chemicals

Alkalis
Detergents
Hydroxides
Soaps
Vinegar

Non-Compatible Chemicals

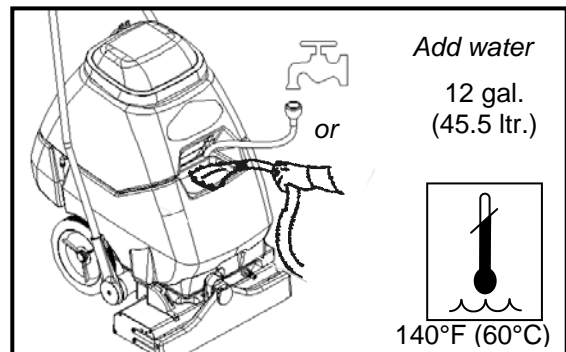
Aldehydes
Aromatic Hydrocarbons
SP Butyls
Carbon Tetrachloride
Clorox*
Chlorinated Bleaches
Chlorinated Hydrocarbons
Lysol*
Methyl Ethel Ketone (MEK)
Perchorethylene (perc)
Phenolics
Trichlorethylene
D-Limonene

STEP
1

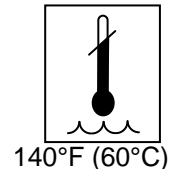


Remove solution tank lid

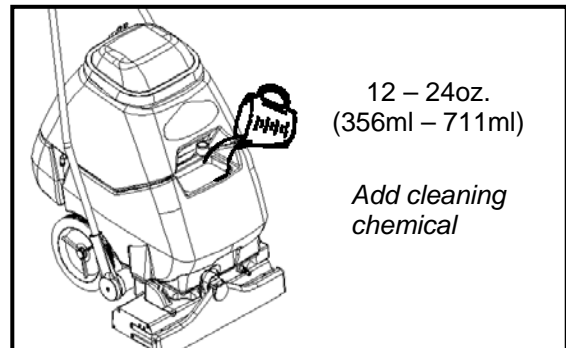
STEP
2



Add water
12 gal.
(45.5 ltr.)



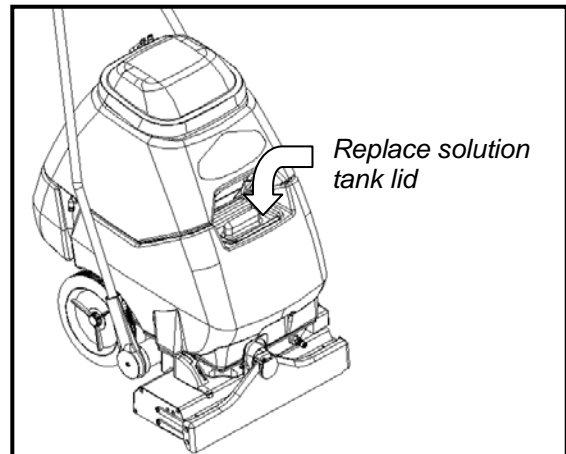
STEP
3



12 – 24oz.
(356ml – 711ml)

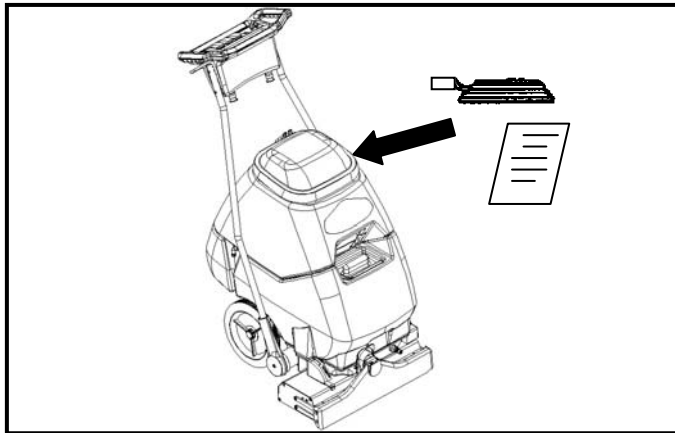
Add cleaning chemical

STEP
4

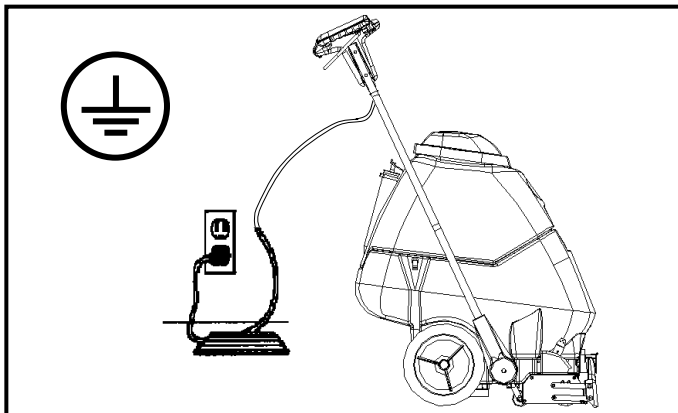


Replace solution tank lid

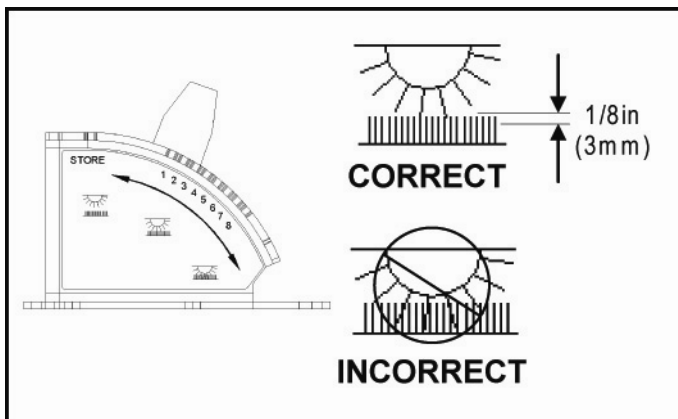
OPERATIONS



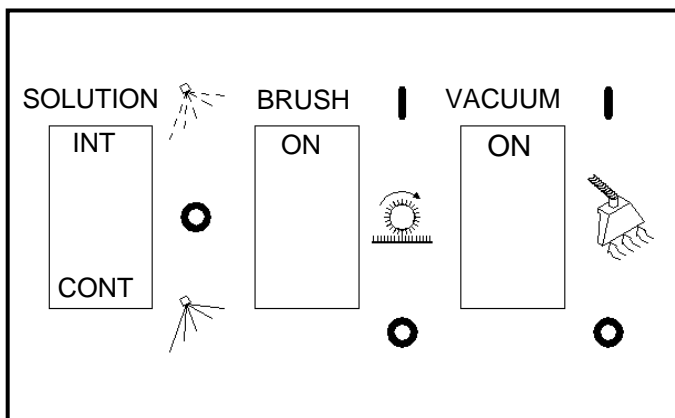
STEP 1 Remove electrical cord and literature from recovery tank. Fill solution tank (see filling instructions page 3-5).



STEP 2 Plug cord into grounded outlet. *Note: Be sure dome is seated on recovery tank, and float shut-off is installed correctly.*



STEP 3 Adjust brush to proper setting. *Note: For good operation the brush must skim the carpet. If circuit breaker trips raise brush to prevent damage to motor or carpet.*

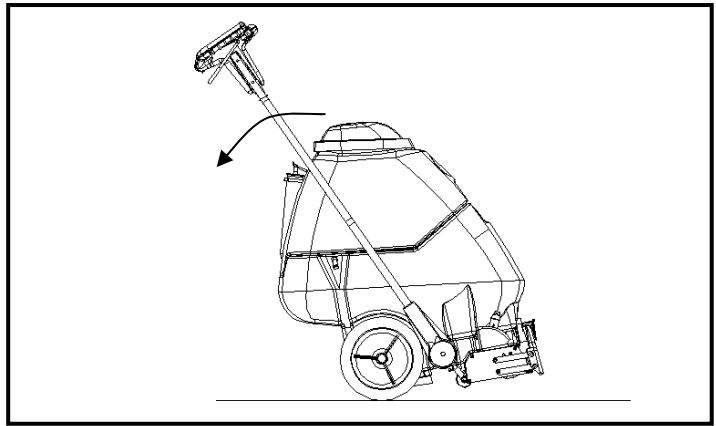


STEP 4 Turn on brush and vacuum motor switches ("ON"="I"). Turn on solution switch for continuous spray or set switch to intermittent to allow use of trigger switches.

OPERATIONS

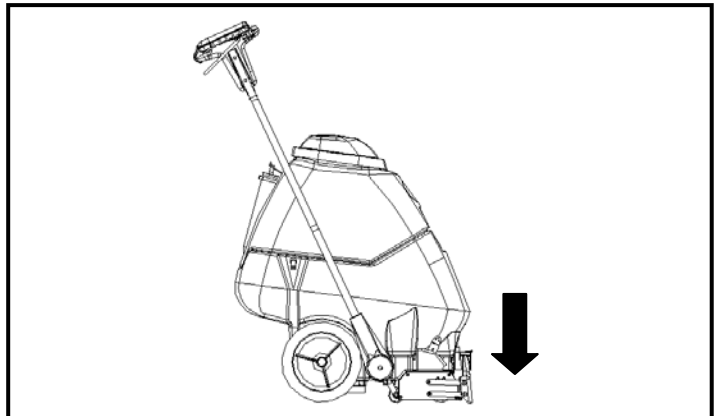
Adjust handle to comfortable operating position. Tip machine back by main handle to move to starting point.

STEP
5



Lower machine to floor.

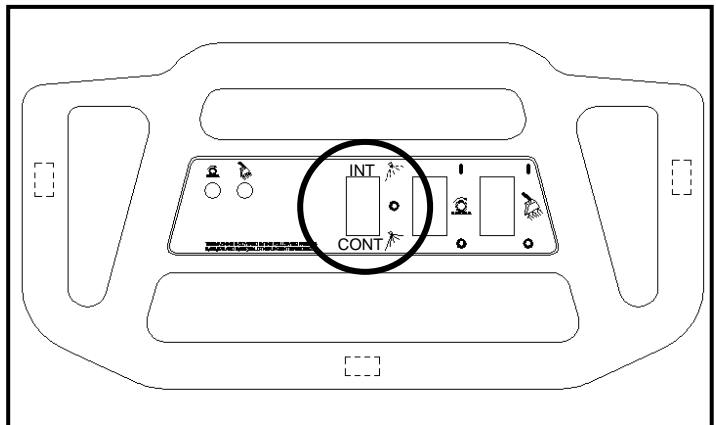
STEP
6



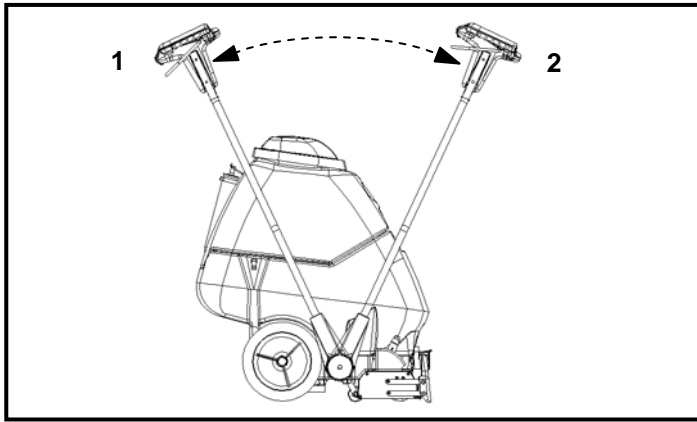
Select continuous setting to start solution spray or select intermittent setting to enable use of trigger switches to start solution spray.

The intermittent setting requires the operator to hold any one of the three trigger switches in the “on” position with the fingers, and is typically used in small areas where short cleaning passes are made. The continuous setting allows the operator to set the switch in the “on” position with one touch, and is typically used in large areas where long cleaning passes are made.

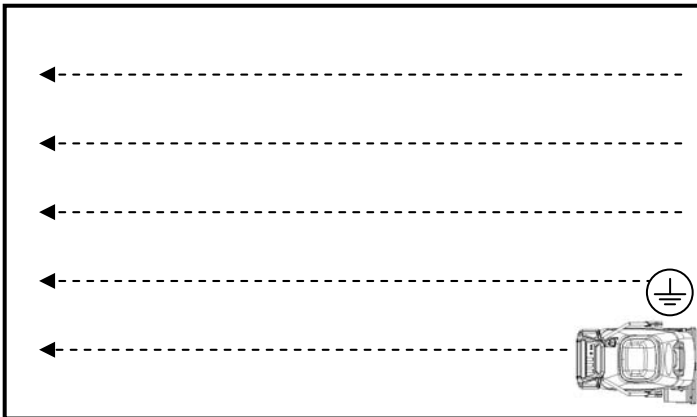
STEP
7



CLEANING PROCEDURE

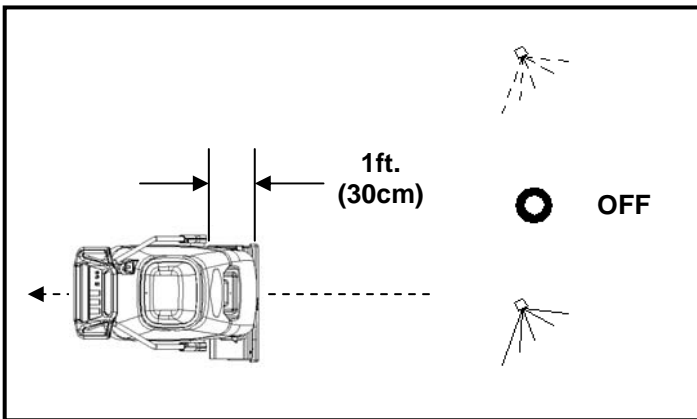


1. This machine can be operated in either direction. For smaller areas operate the machine by pulling rearward.
2. For larger unobstructed areas, flip the handle and use the machine's brush assisted propelling motion.



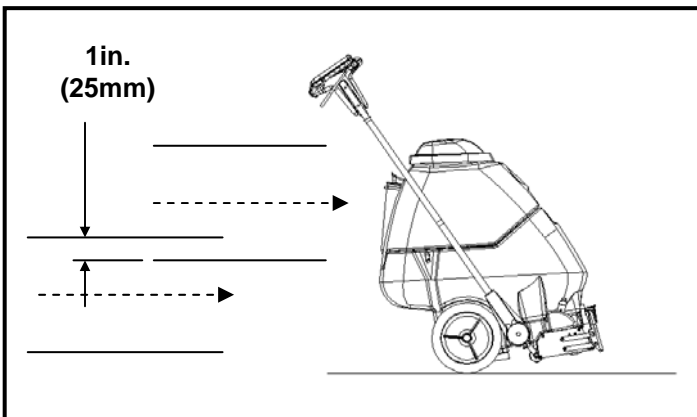
STEP 1

Start at wall closest to power outlet. For small areas, pull straight back without pushing down on handle.



STEP 2

Release intermittent trigger switches or turn off continuous setting on solution switch approximately 1 foot before ending cleaning pass.



STEP 3

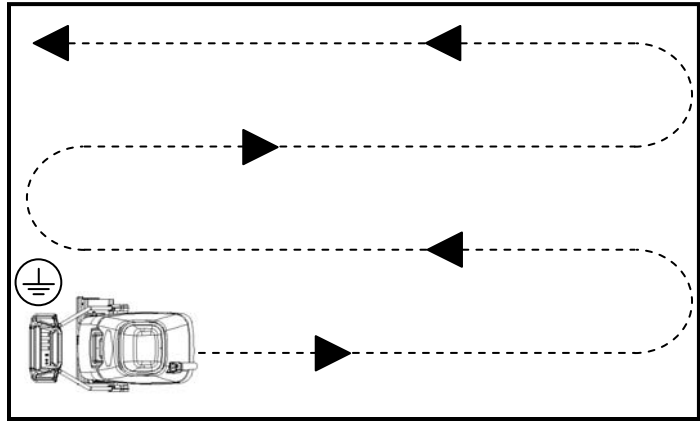
Push down on handle to raise vacuum shoe and brush before moving to the next cleaning pass. Overlap brush contact area approximately 1inch.

CLEANING PROCEDURE

Start at wall closest to power outlet. For large areas flip handle and operate machine in parallel passes, overlapping brush path. Clean perimeter last.

OR

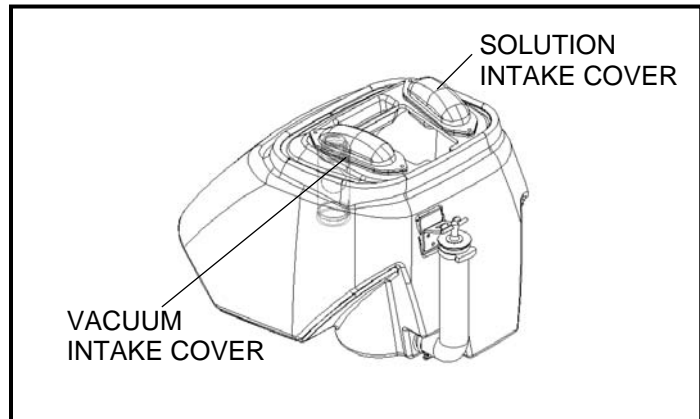
STEP
1



During operation, observe the following: The Clipper is equipped with clear internal covers to facilitate operator viewing of dirty solution and vacuum air flow.

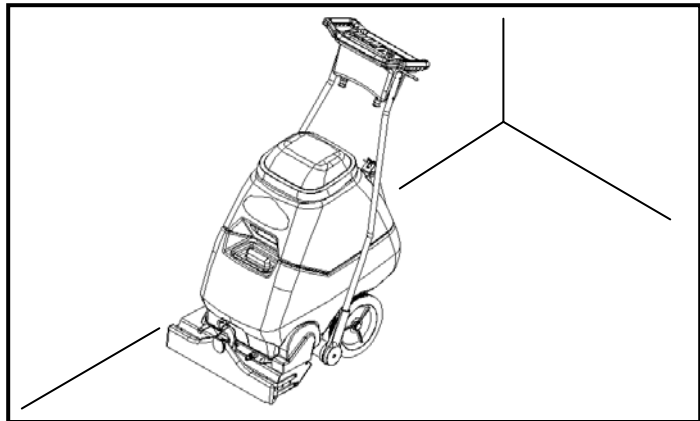
STEP
4

During operation, observe the vacuum intake cover. Large amounts of water or foam entering the vacuum system can damage the vacuum motor. If you notice either condition, **shut down the machine immediately**. Empty recovery tank and/or add defoamer to recovery tank.



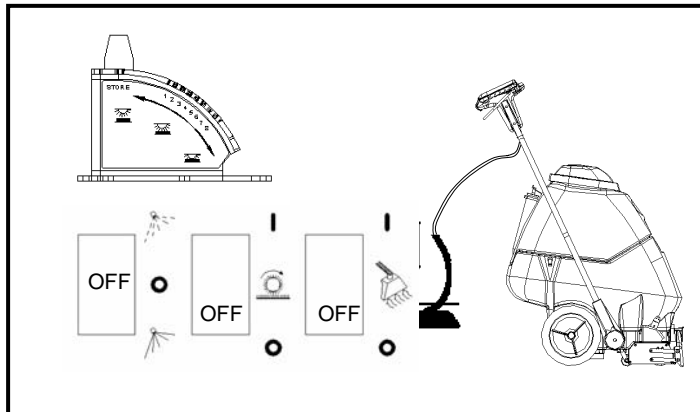
Use right side of machine for cleaning against walls.

STEP
5

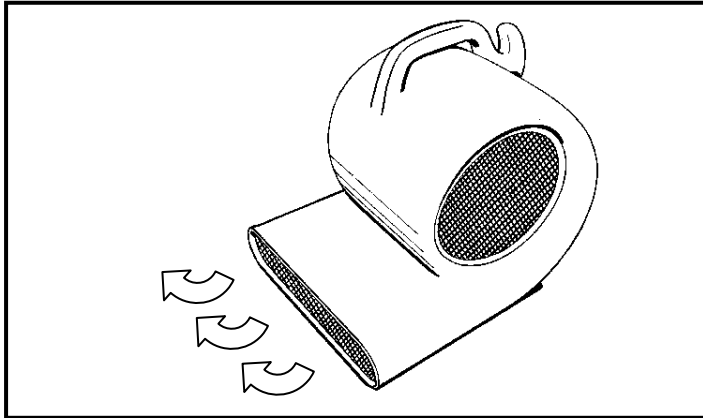


After cleaning, turn off all controls, return brush to storage position and carefully unplug machine.

STEP
6

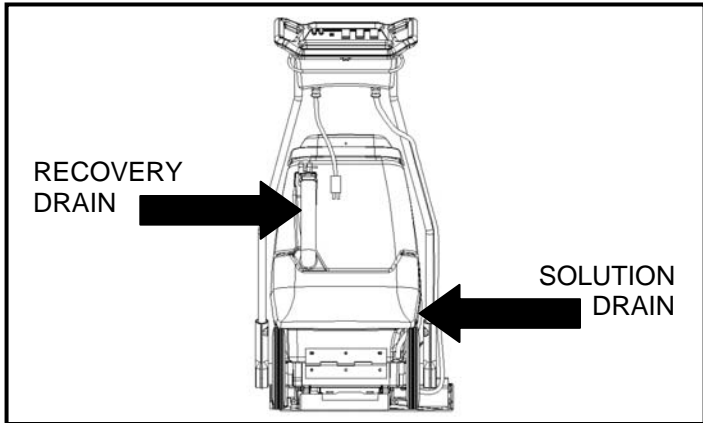


CLEANING PROCEDURE



STEP
7

To speed drying, use a Windblower™ fan.



STEP
8

Empty recovery tank by releasing dump hose. Use a hose with cold water to clean out the recovery tank. Also drain solution tank after each use.

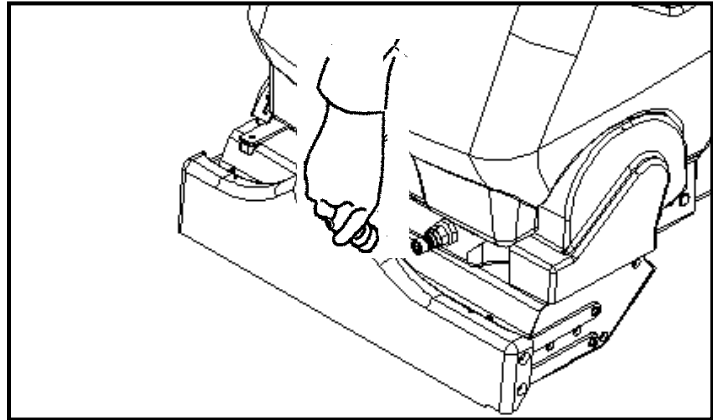
ACCESSORY TOOL USAGE

Use only one of the following acceptable accessory tools.

HT – 86000610 - PRV NO. 89227
DDH – 86000600 - PRV NO. 89226
DH - 86031540 - PRV NO. 39504

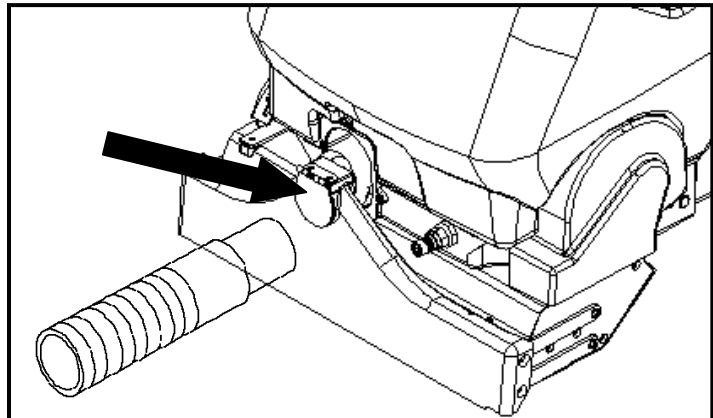
Pull back collar and insert over machine mounted fitting, then release collar to lock into place.

STEP
1



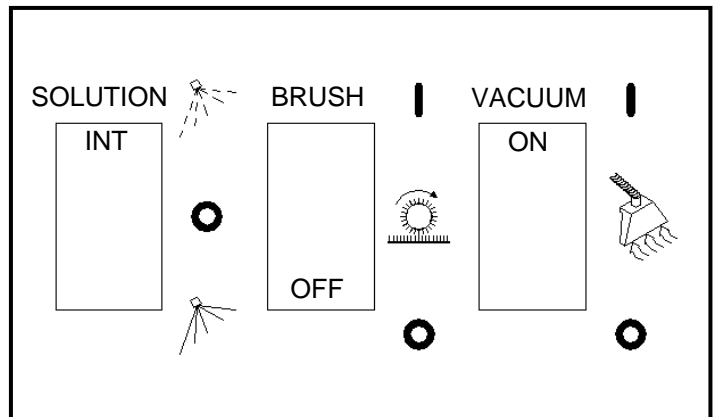
Lift door on front of vacuum shoe and insert 1 ½ inch hose cuff into hole.

STEP
2



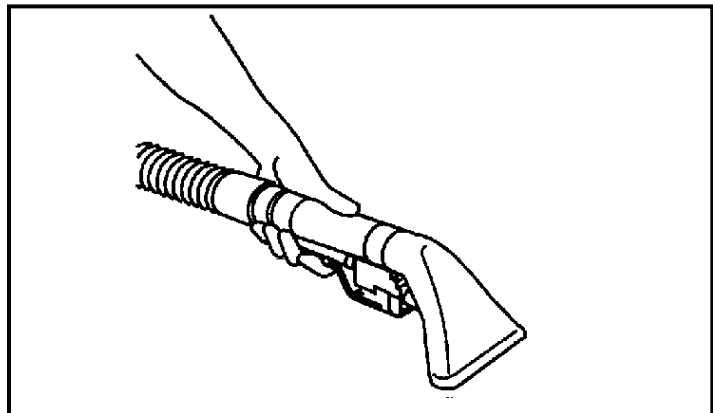
Turn on vacuum motor switch and set solution switch to intermittent position.
Note: Be sure brush switch is in off position and brush is in storage position.

STEP
3



Squeeze handle on accessory tool to begin cleaning.

STEP
4



SERVICE SCHEDULE

MAINTENANCE	DAILY	WEEKLY	QUARTERLY
Check machine for cord damage	*		
Check recovery dome and gasket for damage and cleanliness	*		
Check brush – should be clean with no lint or strings attached	*		
Inspect vac shoe for blockage; remove fibers with coat hanger, etc.	*		
Check hoses for wear, blockages, or damage	*		
Check handles, switches, and knobs for damage	*		
Check vac motor intake filter and clean	*		
Run one gallon of water through system	*		
Clean out recovery tank and check float valve to make sure it moves freely	*		
Clean out solution tank and remove and clean vacuum intake screen	*		
Clean outside of all tanks and check for damage	*		
Run vac motor for at least one minute to allow motor to dry	*		
Store with dome off tank to allow the tank to dry	*		
Check all bearings for noise		*	
Check all gaskets for wear and leakage		*	
Check vacuum intake screen for damage; replace if necessary		*	
Check pump pressure; observe spray pattern and check with gauge if necessary		*	
Check and clean solution screen		*	
Check belts for wear and replace as necessary		*	
Check brush for wear; ensure bristles are not damaged		*	
Check cables for fraying		*	
Check the spray bar (manifold) for damage; replace if broken or bent		*	
Check condition of vac shoe and frame for damage		*	
Check overall performance of machine		*	
Check vac motor carbon brushes			*

MAINTENANCE

PERIODIC MAINTENANCE

Twice a month, flush a white vinegar solution (One quart vinegar to two gallons of water) or anti-browning solution (mixed as directed) through the extractor. This will prevent build-up of alkaline residue in the system. If spray jets become clogged, remove the spray tips, wash them thoroughly, and blow-dry.

NOTE: Do not use pins, wire, etc. to clean nozzles as this could destroy spray pattern.

Periodically inspect all hoses, electrical cables and connections on your machine. Frayed or cracked hoses should be repaired or replaced to eliminate vacuum or solution pressure loss. If the cable insulation is broken or frayed, repair or replace it immediately. Don't take chances with electrical fire or shock.

DAILY / REGULAR MAINTENANCE

Before making any adjustments or repairs to the machine, disconnect the power cord from electrical source.

1. Empty unused cleaning solution from the solution tank.
2. Inspect and clean filter screen in solution tank.
3. Flush pumping system with 4 or 7 liters of clean, hot water.
4. After each use, rinse tank with fresh water. Periodically inspect the recovery tank and decontaminate if necessary, using a Hospital Grade Virucide or a 1-10 bleach to water solution. Waste water should be disposed of properly.
5. Check for and remove any lint or debris around vac shoe.
6. Check spray jets for full spray pattern.
7. Remove lint and dirt build-up from brush and housing.
NOTE: Brush removal.
 - A. To remove brush, grab and pull brush out from end opposite drive belt (operator's right). Remove other end from brush driver.
 - B. To install brush, line up slots in brush core with pin in driver on drive belt side (operator's left) and push brush onto driver. Then snap bearing end (opposite end) of brush into retaining clip.
8. Check cooling air screen (located on frame behind left wheel) for lint or debris.
9. Check float and shut-off screen and clean as necessary.

NOTE: Always store machine with brush in "Store" position.

⚠ WARNING:

Only qualified maintenance personnel are to perform the following repairs.

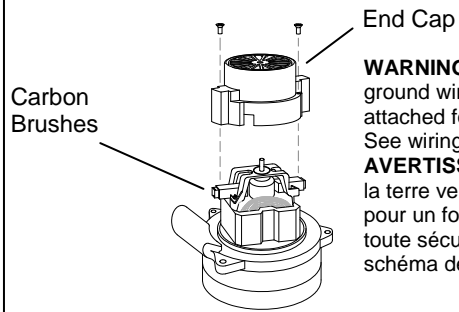
⚠ AVERTISSEMENT:

Seul le personnel d'entretien qualifié peut effectuer des réparations.

VACUUM MOTOR REPLACEMENT

1. Turn off all switches and unplug machine.
2. Remove recovery tank.
3. Remove the (2) screws that fasten the solution tank to the frame, and tilt tank back to expose the inside of the frame.
4. Locate the vacuum motor wires and disconnect at the connector. Close the solution tank.
5. Remove the (6) screws holding the vacuum motor cover (p/n 27809) to the solution tank.
6. Remove the vacuum motor.
7. Reverse process to install vacuum motor.

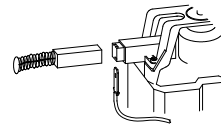
Vacuum Motor Carbon Brushes Replacement



WARNING: The green ground wire must be attached for safe operation. See wiring diagram.

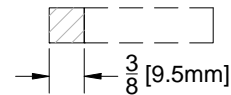
AVERTISSEMENT: Le fil à la terre vert doit être attaché pour un fonctionnement en toute sécurité. Voir le schéma de câblage.

If armature commutator is grooved, extremely pitted or not concentric, the motor will need to be replaced or sent to a qualified service center.



Important:

These brushes wear quicker as the length shortens due to increased heat. Spring inside brush housing will damage motor if brushes are allowed to wear away completely.



Periodically check the length of the carbon brushes. Replace both carbon brushes when either is less than 3/8" (9.5mm) long.

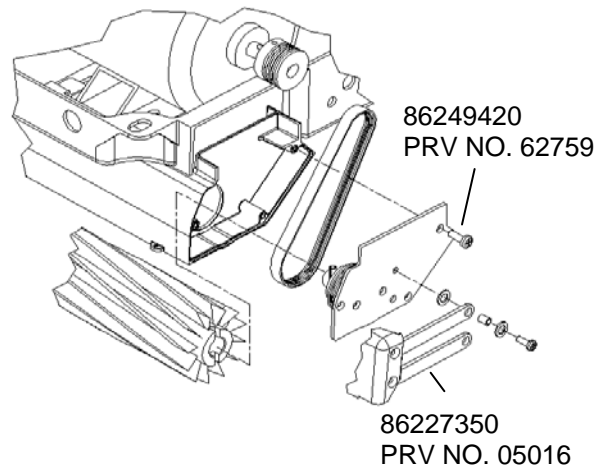
MAINTENANCE

⚠ WARNING: Only qualified maintenance personnel are to perform the following repairs.

⚠ AVERTISSEMENT: Seul le personnel d'entretien qualifié peut effectuer des réparations.

BELT REPLACEMENT

1. Turn off all switches and unplug machine.
2. Remove recovery tank and brush.
3. Remove the (2) screws that fasten the solution tank to the frame, and tilt tank back to expose the inside of the frame.
4. Loosen the (4) screws that hold the brush motor in place and slide motor forward to release tension in belt.
5. Remove the (2) screws that fasten the vacuum shoe links (p/n 05016) to the brush housing.
6. Remove the (3) screws that fasten the side plate (p/n 62759) to the brush housing to remove belt. *NOTE: All components associated with driving the brush will come out with the side plate.*
7. Reverse process to install belt.

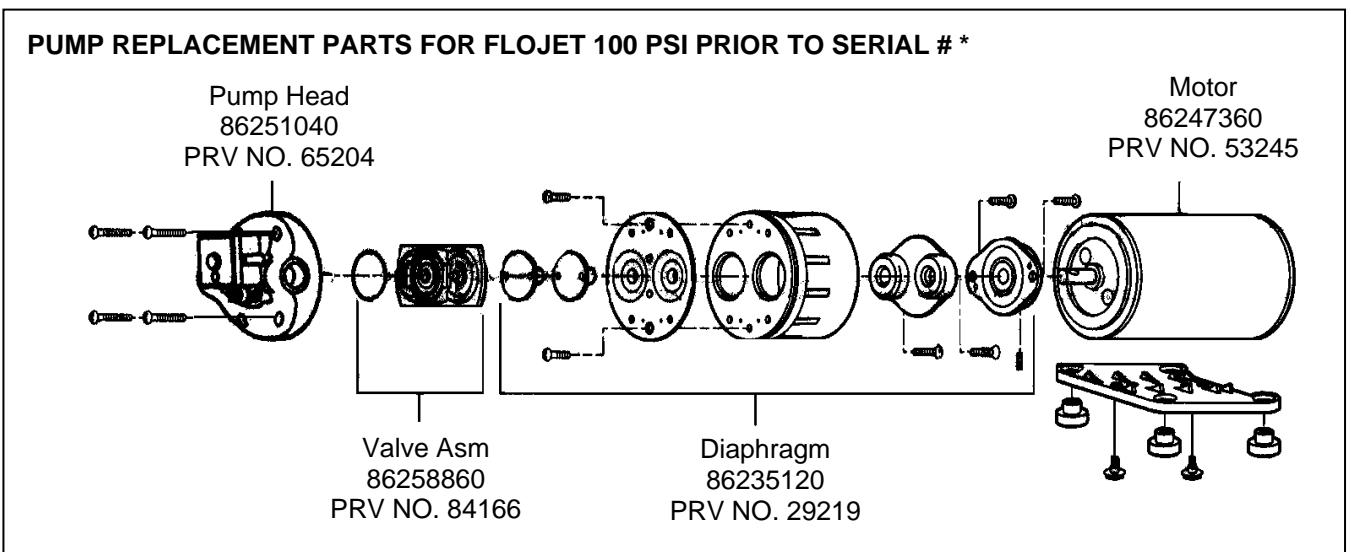
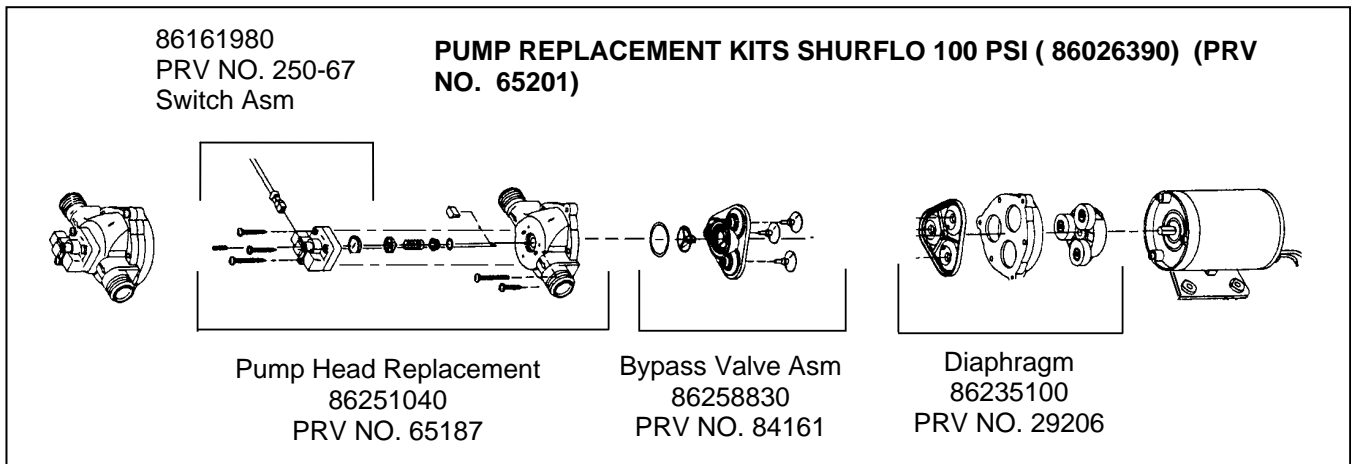


⚠ WARNING: Only qualified maintenance personnel are to perform the following repairs.

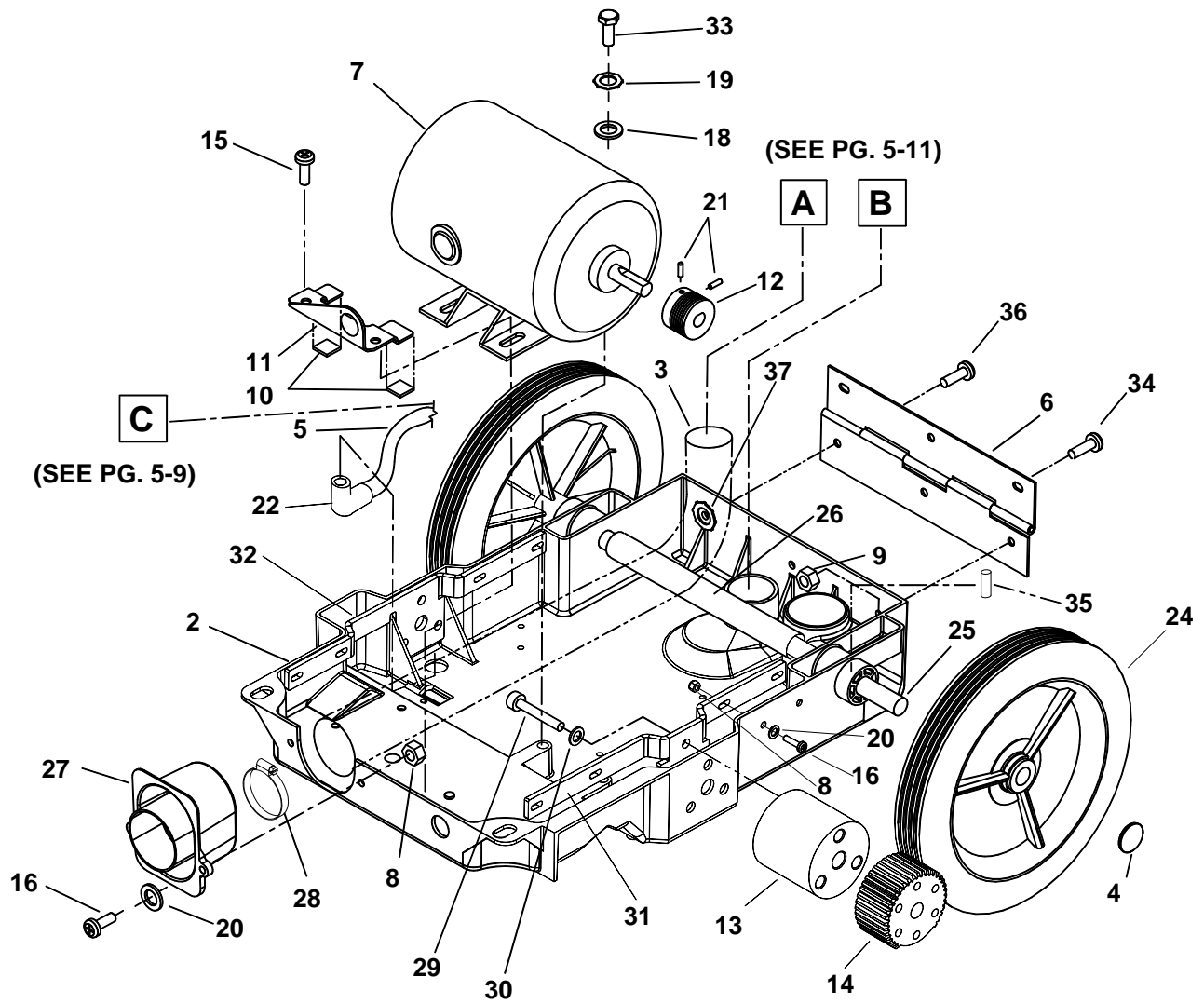
⚠ AVERTISSEMENT: Seul le personnel d'entretien qualifié peut effectuer des réparations.

SOLUTION PUMP REPLACEMENT

1. Turn off all switches and unplug the machine.
2. Remove recovery tank.
3. Remove the (2) screws that fasten the solution tank to the frame, and tilt tank back to expose the inside of the frame.
4. Remove solution hoses from fittings in pump.
5. Remove the (2) screws that fasten the pump to the frame.
6. Reverse process to install pump.



FRAME ASSEMBLY



FRAME ASSEMBLY

REF	PART NO.	PRV NO.	QTY	DESCRIPTION	SERIAL NO. FROM	NOTES:
1		OPEN				
2	86033080	34357	1	FRAME, CLIPPER 12		
3	86004340	39528	1	HOSE ASM, 1.5 BLK VAC X 15.5		
4	86001660	41236	2	HUBCAP, 5/8" SHAFT		
5	86238820	41351	1	HARNESS, MAIN, CLP/ADM		
6	86239610	41354	1	HINGE, TANK TO FRAME		
7	86026150	53640	1	MOTOR ASM, BRUSH CLP FAMILY		
8	86005640	57030	10	NUT, 10-32 HEX NYLOCK		
9	86005810	57245	3	NUT, 1/4-20 HEX NYLOCK SS		
10	86198530	99809	2	FOAM TAPE, 1/8 THK X 3/4 1SDA		
11	86249430	62761	1	PLATE, BRUSH MTR CLAMP		
12	86006020	64099	1	PULLEY, 1.4 OD, 6GR, MICRO-V		
13	86254480	73949	2	SPACER, HANDLE PIVOT		
14	86238200	36081	2	GEAR, 40 TOOTH		
15	86006580	70085	2	SCR, 1/4-20 X 1/2 PPHMS SS		
16	86273980	70066	10	SCR, 10-32 X 3/4 PPHMS		
17		OPEN				
18	86010630	87013	2	WASHER, 1/4 ID X 5/8 OD SS		
19	86010660	87025	2	WASHER, 1/4 LOCK EXT STAR SS		
20	86010650	87018	10	WASHER, #10 X 9/16 OD		
21	86006550	70074	2	SET SCR, 10-32 X 1/4 KCP		
22	86256190	73197	1	STRAIN RELIEF, 90 DEGREE		
23		OPEN				
24	86259960	89506	2	WHEEL, 1-15/16 X 10" HOOSIER		
25	86066230	03107	1	AXLE, 5/8 X 17.06L		
26	86134490	99667	10"	HEAT SHRINK, 3/4 ID UL/CSA		
27	86253090	73943	1	SEAL, FRAME/TANK		
28	86233140	20041	1	CLAMP, 2.0" WORM GEAR		
29	86276500	70671	6	SCR, 5/16-18 X 3.5 SHCS PLATED		
30	86279130	87083	6	WASHER, 5/16 SPLIT LOCK PLTD		
31	86069290	140354	1	BRKT, CLP HANDLE SUPPORT		
32	86069300	140355	1	BRKT, CLP HANDLE SUPPORT LT		
33	86274760	70271	2	SCR, 1/4-20 X 1/2 HHCS PLTD		
34	86006530	70057	2	SCR, 1/4-20 X 1 PPHMS SS		
35	86272160	66052	1	PIN, ROLL 1/8" X 1.0"L		
36	86276610	70697	1	SCR, 1/4-20 X 1.25 PPHMS SS		
37	86005710	57105	3	NUT, 1/4-20 HEX W/ STAR WASHER		

